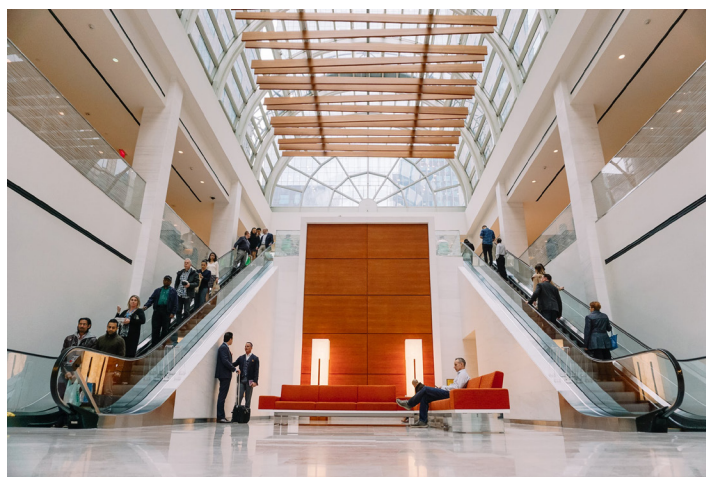
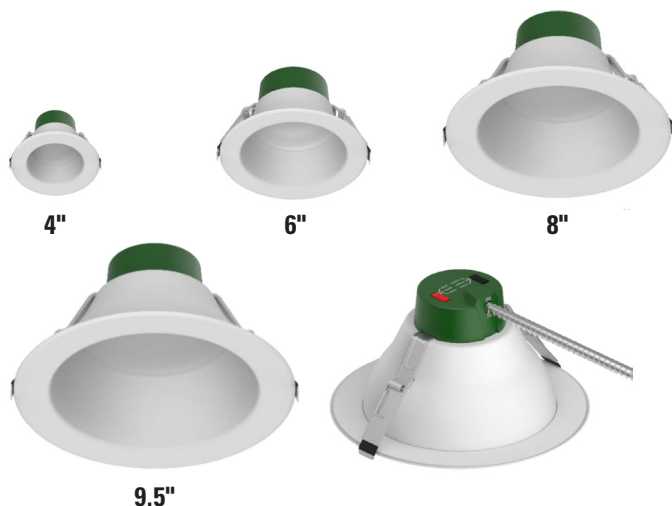


Project Name:	Fixture Type:
Complete Catalog #:	Date:
Comments:	

## MULTIVERSE TUNABLE DOWNLIGHTS



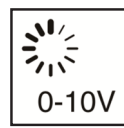
The **Multiverse Tunable Downlights** are commercial-grade downlights in 4", 6", 6" HO, 8", 8" HO, and 9.5" models. They're constructed with aluminum housing and heatsink, with 90+ CRI Lumiled chips. General, medium, and aisle light distributions are available, with 90 degree beam angle. They're UL Certified, ENERGY STAR Certified, ICAT, IP44 rated, and 0-10V dimmable.

### FEATURES

- UL Certified
- Energy Star Certified
- Insulation contact, airtight (ICAT)
- 120-277VAC
- IP44 rated
- Wattage selectable
- CCT selectable
- 50,000 hours lifetime
- Lumiled 90+ CRI LED chips
- General, medium, & aisle distributions available to meet horizontal & vertical light-level requirements
- 10 year or 50,000 hour non-prorated warranty
- 0-10V dimmable

### APPLICATIONS

- Corridors
- Hallways
- Museums
- Retail
- Hotels
- Restaurants



## ORDERING INFORMATION

MODEL NUMBER	DIAMETER (INCHES)	POWER SELECTABLE	LUMENS	VOLTAGE	CRI	CCT SELECTABLE	EFFICACY (LM/W)	BEAM ANGLE	MIN. ORDER QTY	US STOCK
ECO-LOC-4DL-MW(5.5W/8W/12W)-27/30/35/40/50K	4"	5.5W 8W 12W	458 667 1000	120-277VAC	93+	2700 / 3000 / 3500 / 4000 / 5000K	83	90°	6	Y
ECO-LOC-6DL-MW(7W/10W/16W)-27/30/35/40/50K	6"	7W 10W 16W	583 833 1332	120-277VAC	93+	2700 / 3000 / 3500 / 4000 / 5000K	83	90°	6	Y
ECO-LOC-8DL-MW(10W/15W/22W)-27/30/35/40/50K	8"	10W 15W 22W	909 1363 2000	120-277VAC	94+	2700 / 3000 / 3500 / 4000 / 5000K	91	90°	6	Y
ECO-LOC-9.5DL-MW(20W/25W/32W)-27/30/35/40/50K	9.5"	20W 25W 32W	1876 2345 3002	120-277VAC	94+	2700 / 3000 / 3500 / 4000 / 5000K	94	90°	6	Y
ECO-LOC-6DL-MW(25W/32W/42W)-27/30/35/40/50K-HO	6"	25W 32W 42W	2478 3171 4162	120-277VAC	91+	2700 / 3000 / 3500 / 4000 / 5000K	99	90°	6	Y
ECO-LOC-8DL-MW(32W/42W/52W)-27/30/35/40/50K-HO	8"	32W 42W 52W	3078 4040 5000	120-277VAC	92+	2700 / 3000 / 3500 / 4000 / 5000K	96	90°	6	Y

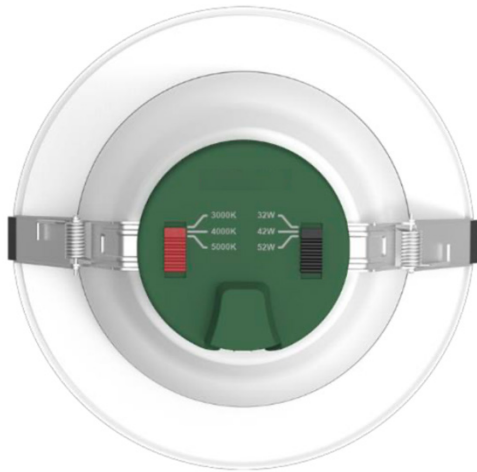
## TECHNICAL SPECIFICATIONS

Beam Angle	90°
CRI	Up to 94
Efficacy	Up to 99 lm/W
IP Rating	IP44
Input Voltage	120 – 277 VAC
Power Frequency	50 – 60 Hz
Power Factor	>0.97
Certifications	UL Certified Energy Star Insulation Contact (IC) Airtight Housing (AT)
Housing Material	Aluminum
Rated Life (L70)	50,000 hours
Warranty	10 Years or 50,000 hours non-prorated
Operating Temperature	-4°F to 104°F
Weight	0.90 lbs [4"] 1.30 lbs [6" & 6" HO] 1.51 lbs [8" & 8" HO] 1.75 lbs [9.5"]
Controls	Wattage Selectable, CCT Selectable, 0-10V Dimmable, Emergency battery backup option.

\*Data is based upon tests performed in a controlled environment and representative performance. Actual performance can vary depending on operating conditions. Specifications are subject to change without notice. All specifications are nominal unless otherwise noted.

\*IES files provided on request.

## INSTALLATION & MOUNTING



**Torsion spring clips install in place.**

## CONTROL

Control options: Wattage Selectable, CCT Selectable, 0-10V Dimmable, Emergency Battery Backup Option.

## ACCESSORIES

### OPTIONAL ACCESSORY:

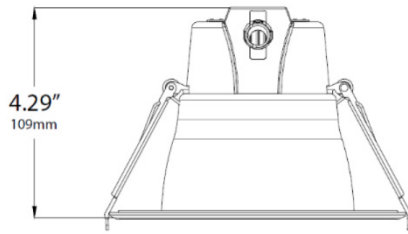


**Emergency Battery  
LOC-EMDR-25WHV**

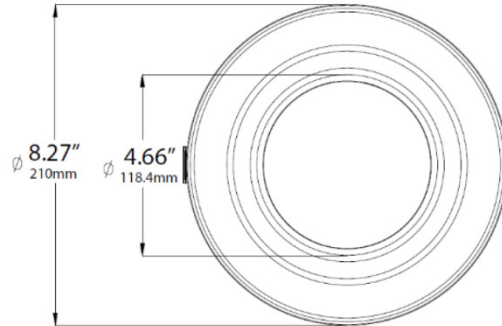
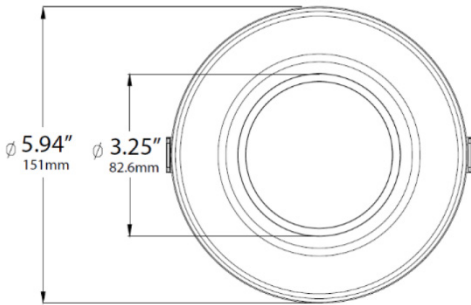
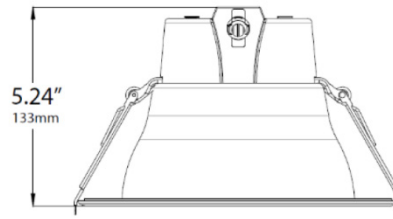
# MULTIVERSE TUNABLE DOWNLIGHTS

**DIMENSIONS** Unit: inch [mm]

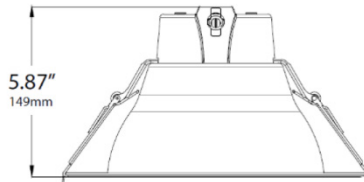
**4"**



**6"**



**8"**



**9.5"**

