

Project Name:	Fixture Type:
Complete Catalog #:	Date:
Comments:	

T5 TYPE C TUBES WITH DRIVER



The T5 Type C Tubes With Driver replace traditional T5 systems. Drivers that can power 1, 2, 3, or 4 LED tubes are available. Both dimmable and non-dimmable drivers are offered, with a variety of 4' tube wattages, between 15W and 30W. Multi-channel circuit design protects against problems from broken or missing lamps. The lamps emit no IR, no UV, and minimal heat.

FEATURES

- cULus Classified Type C
- NSF Certified
- AC 100-277V
- Both dimmable and non-dimmable models available
- Multi-channel circuit design protects against problems from broken or missing lamps
- External Class 2 Driver System
- No IR, no UV
- 10 Year or 50,000 hour non-prorated warranty

APPLICATIONS

- T5 Troffers
- T5 High bay
- T5 Shop lights
- T5 Work lights
- T5 Cove
- T5 Signs
- And other T5 luminaires



T5 TYPE C TUBES WITH DRIVER

ORDERING INFORMATION

MODEL NUMBER	LENGTH (FEET)	POWER	LUMENS	DIMMABILITY	VOLTAGE	LAMPS PER DRIVER	CRI	CCT	BEAM ANGLE	MIN. ORDER QUANTITY	US STOCK
ECO-ZY-T5-15W1200-BONT	4'	15W	2100	Non-dimming	100-277VAC	1, 2, 3, or 4	80+	3000K-5000K	120°	6	Y
ECO-ZY-T5-15W1200-BODT	4'	15W	2100	Dimming	100-277VAC	1, 2, 3, or 4	80+	3000K-5000K	120°	6	Y
ECO-ZY-T5-18W1200-BONT	4'	18W	2100	Non-dimming	100-277VAC	1, 2, or 3	80+	3000K-5000K	120°	6	Y
ECO-ZY-T5-18W1200-BODT	4'	18W	2100	Dimming	100-277VAC	1, 2, or 3	80+	3000K-5000K	120°	6	Y
ECO-ZY-T5-22W1200-BONT	4'	22W	3080	Non-dimming	100-277VAC	1, 2, or 3	80+	3000K-5000K	120°	6	Y
ECO-ZY-T5-22W1200-BODT	4'	22W	3080	Dimming	100-277VAC	1, 2, or 3	80+	3000K-5000K	120°	6	Y
ECO-ZY-T5-25W1200-BONT	4'	25W	3405	Non-dimming	100-277VAC	1, 2, or 3	80+	3000K-5000K	120°	6	Y
ECO-ZY-T5-25W1200-BODT	4'	25W	3405	Dimming	100-277VAC	1, 2, or 3	80+	3000K-5000K	120°	6	Y
ECO-ZY-T5-30W1200-BONT	4'	30W	4200	Non-dimming	100-277VAC	1 or 2	80+	3000K-5000K	120°	6	Y
ECO-ZY-T5-30W1200-BODT	4'	30W	4200	Dimming	100-277VAC	1 or 2	80+	3000K-5000K	120°	6	Y

TECHNICAL SPECIFICATIONS

Optical Distributions	120°
CRI	80+
CCT	3000K to 5000K
Efficacy	140 lm/W
Input Voltage	100-277 VAC
TLED input type	Double-ended input
Power Frequency	50-60 Hz
Power Factor	>0.99
Certifications	UL Classified NSF Certified
Housing Materials	Aluminum / PC
Rated Life (L70)	50,000 hours
Warranty	10 Years or 50,000 hours non-prorated
Operating Temperature	-4°F to 122°F
Controls	0-10V Dimmable for BODT models only

*Data is based upon tests performed in a controlled environment and representative performance. Actual performance can vary depending on operating conditions. Specifications are subject to change without notice. All specifications are nominal unless otherwise noted.

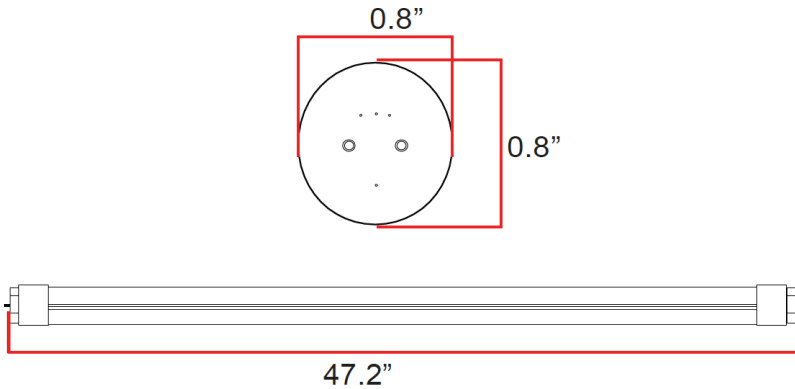
*IES files provided on request.

CONTROLS

Control Options: 0-10V Dimmable for BODT models only

T5 TYPE C TUBES WITH DRIVER

DIMENSIONS Unit: mm[inch]



INSTALLATION INSTRUCTIONS

Direct Replacement Procedure:

1. Turn OFF the power to the fixture at the breaker panel before installation.
2. Open the diffuser from the light fixture.
3. Remove the fluorescent tubes and dispose of these properly, as they may contain mercury.
4. Make the new wire connection (A) to the branch circuit.
5. Install the LED tubes, ensure the pins are firmly seated in lamp holders, and close the diffuser.
6. Switch ON the power to the fixture at the breaker panel.

CAUTION

- Risk of fire: do not install this lamp in a pre-heated luminaire.
- Loose or damaged end caps and/or lamp holders need to be replaced before installation.
- Risk of electric shock: perform the installation with gloves.
- Use only in place of fluorescent lamps specified on the label.
- The BODT models only may be used with a 0-10V dimmer.
- If the lamp or luminaire exhibits undesirable operation (i.e., buzzing, flickering, etc.), immediately turn off the power, remove the lamp from the luminaire, and contact the manufacturer.
- Not suitable for wet locations.
- Do not do a mass installation before testing a sample.

