

Project Name:	Fixture Type:
Complete Catalog #:	Date:
Comments:	

EXCELSIOR DECORATIVE OUTDOOR LED AC/EMERGENCY UNIT



The **Excelsior Decorative Outdoor LED AC/Emergency Unit** offers rugged construction, quick installation and premium features, such as die cast aluminum construction, a scratch resistant polyester powder coat finish, and wide-throw light distribution. Available for indoor and outdoor installations, the Excelsior is ideal for hotels, shopping malls, and office buildings where aesthetic continuity is desired between the indoor and outdoor lighting. One model features an internal heater for colder climates. A photocell sensor is optional.

FEATURES

- Meets UL924, NFPA 101 Life Safety Code, NEC, OSHA, Local & State Codes
- UL listed for wet locations
- Can be used Normally-ON, Normally-OFF, or on a switched circuit
- Universal 120-277 VAC input
- Charge rate/power "ON" LED indicator light and push-to-test switch for code compliance testing
- 4.8V long life, maintenance-free, rechargeable NiCd battery for 90+ minutes emergency illumination
- Self-diagnostic test feature
- Die-cast aluminum housing, sealed and gasketed

APPLICATIONS

- Indoor or outdoor
- Hotels
- Retail
- Office buildings
- Restaurants



EXCELSIOR DECORATIVE OUTDOOR LED AC/EMERGENCY UNIT

ORDERING INFORMATION

PART NUMBER	COLD WEATHER HEATER	WATTAGE	VOLTAGE	HOUSING COLOR	OPTIONS	MIN ORDER QTY	US STOCK
ECO-LSEW12W	NO	12W @ 120VAC; 8.9W @ 277VAC	120-277VAC	WHITE/BLACK/ NICKEL/ DARK BRONZE	PHOTOCELL SENSOR	2	YES
ECO-LSEW18W-H	YES	18.5W @ 120VAC; 58.9W @ 277VAC	120-277VAC	WHITE/BLACK/ NICKEL/ DARK BRONZE	PHOTOCELL SENSOR	2	YES

TECHNICAL SPECIFICATIONS

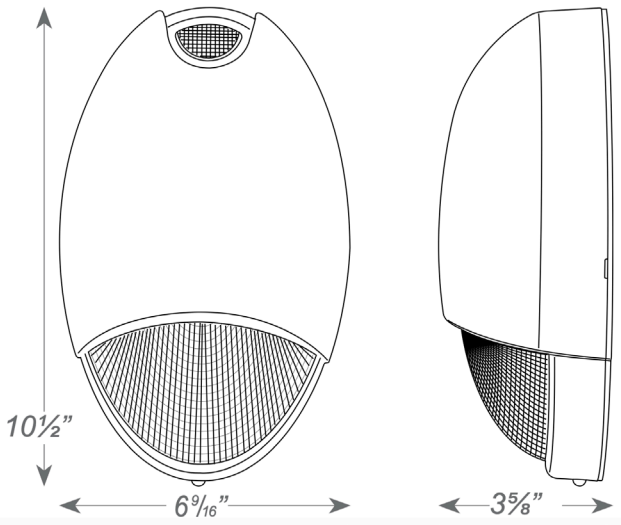
Input Voltage	Universal 120-277VAC
Wattage	Without heater: 12W @ 120VAC; 8.9W @ 277VAC. With heater: 18.5W @ 120VAC; 58.9W @ 277VAC.
Input Current	Without heater: 0.13A @ 120VAC; 0.07A @ 277VAC. With heater: 0.21A @ 120VAC; 0.25A @ 277VAC.
Certifications	UL924, NFPA 101 Life Safety Code, NEC, OSHA, local & state codes
Environment	Wet location listed
Fixture Material	Die-cast aluminum with durable powder-coated finish
Operating Temperature	Without heater: 32° - 122°F; With heater: -4°F - 122°F
Testing	Self-diagnostic feature comes standard and tests to ensure reliable operation
Mounting	Surface mount via back plate to j-box. Universal K/O pattern on back plate for wall mount. Threaded top hole for conduit mount.
Battery	4.8V long life, maintenance-free, rechargeable NiCd battery
Emergency Operation	>90 minutes of emergency illumination

*Data is based upon tests performed in a controlled environment and representative performance. Actual performance can vary depending on operating conditions. Specifications are subject to change without notice. All specifications are nominal unless otherwise noted.

*IES files provided on request.

EXCELSIOR DECORATIVE OUTDOOR LED AC/EMERGENCY UNIT

DIMENSIONS

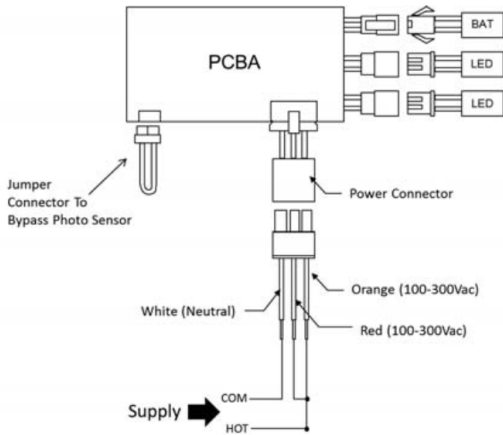


WIRING DIAGRAM



NORMALLY ON

Unit ON at all times.



NORMALLY OFF

Unit ON only in emergency mode.

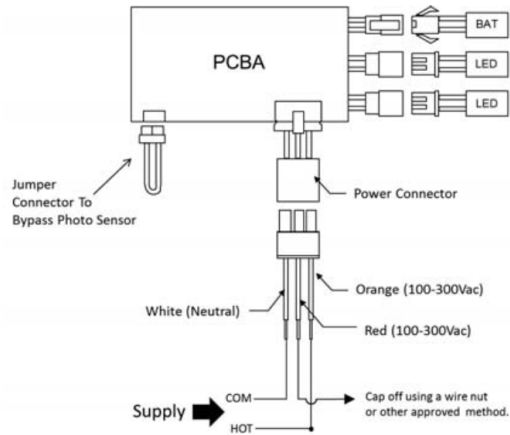
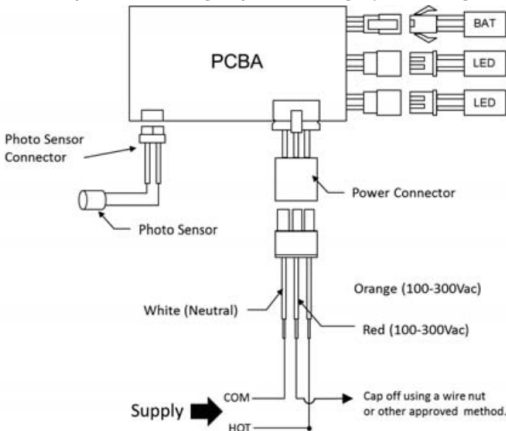


PHOTO SENSOR

Unit ON when there is not enough ambient light; will automatically switch to emergency mode during a power outage.



SWITCHED

Controlled operation in AC mode; will automatically switch to emergency mode during a power outage.

