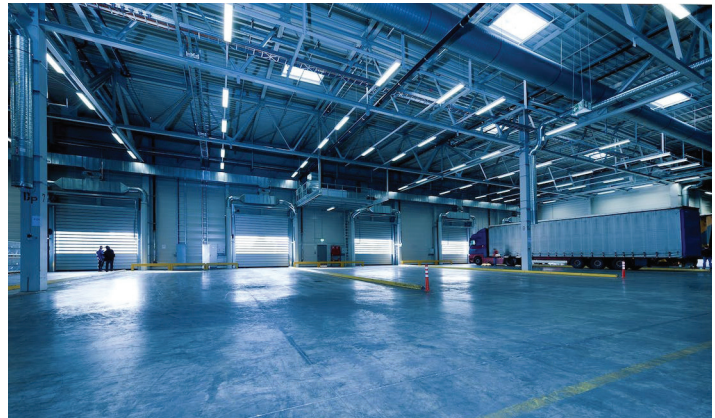


Project Name:	Fixture Type:
Complete Catalog #:	Date:
Comments:	

QUANTUM LINKABLE STRIP FIXTURES 4FT & 8FT WATTAGE & CCT SELECTABLE



The **Quantum Linkable Strip Fixtures 4FT & 8FT Wattage & CCT Selectable** are highly versatile for a wide range of commercial and industrial linear applications. They're constructed of a durable 22-gauge metal housing, a non-yellowing PMMA frosted lens, and polycarbonate endcaps. They're quick-linkable, up to 20 units of 4', and up to 10 units of 8'. This greatly reduces wiring and labor costs. They can be mounted via hanging chain, surface mount, or J-adaptor. The strips are 0-10V dimmable, wattage selectable, CCT selectable, with emergency back up and motion sensor models.

FEATURES

- UL Certified
- DLC Premium listed
- IP20
- 120-277VAC
- 22-gauge metal housing with matte white paint. Non-yellowing PMMA frosted lens. PC endcaps
- Quick-connector adaptor for continuous-run mounting. Up to 20 X 4' and 10 X 8'
- Seoul 2835 LED chips
- 120° beam angle
- 10 year or 50,000 hour non-prorated warranty
- Hanging chain, surface mount or J-adaptor.
- 0-10V dimmable

APPLICATIONS

- Warehouses
- Stadiums
- Factories
- Parking Lots
- Shopping Malls
- Supermarkets
- Logistic Centers
- Car Dealerships



LINKABLE STRIP FIXTURES 4FT & 8FT WATTAGE & CCT SELECTABLE

ORDERING INFORMATION

MODEL NUMBER	SIZE (FEET)	POWER SELECTABLE	LUMENS SELECTABLE	VOLTAGE	CRI	CCT SELECTABLE	BEAM ANGLE (DEG)	MIN. ORDER QTY	US STOCK	EMERGENCY BACKUP	MOTION SENSOR
ECO-LOC-4FTSL-MW24W/32W/40W-(35/40/50K)	4'	20W 32W 40W	2,760 4,416 5,520	120-277VAC	80+	3500K 4000K 5000K	120°	6	Y	N	N
ECO-LOC-8FTSL-MW40W/50W/64W-(35/40/50K)	8'	40W 50W 64W	5,520 6,900 8,840	120-277VAC	80+	3500K 4000K 5000K	120°	6	Y	N	N
ECO-LOC-4FTSL-MW22W/20W/32W/40W-(35/40/50K)-EM	4'	20W 30W 40W	2,760 4,416 5,520	120-277VAC	80+	3500K 4000K 5000K	120°	6	Y	Y	N
ECO-LOC-4FTSL-MW20W/32W/40W-(35/40/50K)-EM-MS	4'	20W 32W 40W	2,760 4,416 5,520	120-277VAC	80+	3500K 4000K 5000K	120°	6	Y	Y	Y

TECHNICAL SPECIFICATIONS

Optical Distributions	120°
CRI	80+
Efficacy	Up to 139 lm/W
IP Rating	IP20
Input Voltage	120-277 VAC
Power Frequency	50-60 Hz
Power Factor	>0.9
THD	<14%
Certifications	UL Certified DLC Premium Listed
Housing Material	22-gauge metal, non-yellowing PMMA frosted lens, PC endcaps
Rated Life (L70)	50,000 hours
Warranty	10 Years or 50,000 hours non-prorated warranty
Operating Temperature	-4°F to 122°F
Controls	CCT Selectable, Power Selectable, 0-10V Dimming, Emergency Backup models, Motion sensor model

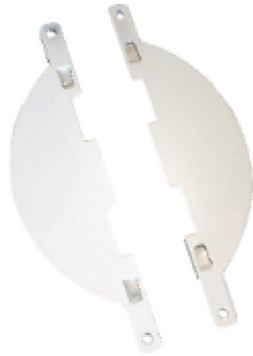
*Data is based upon tests performed in a controlled environment and representative performance. Actual performance can vary depending on operating conditions. Specifications are subject to change without notice. All specifications are nominal unless otherwise noted.

*IES files provided on request.

MOUNTING OPTIONS



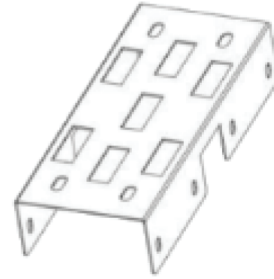
**V-Hook
(included)**



**J-Box Cover
(included)**



Aircraft Cable



**Bracket for Linking
together (included)**

CONTROL

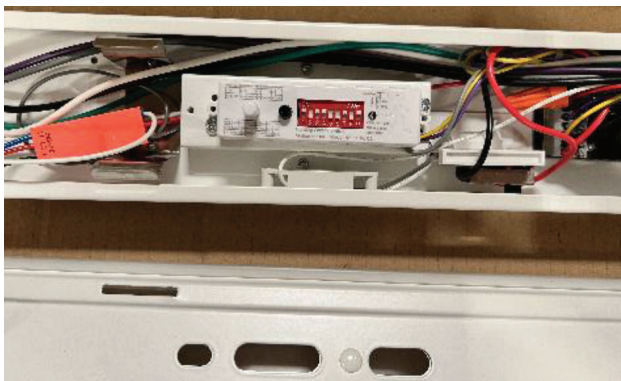
Control Options: CCT Selectable, Power Selectable, 0-10V Dimming, Emergency Backup models, Motion sensor model.



15W Emergency Battery

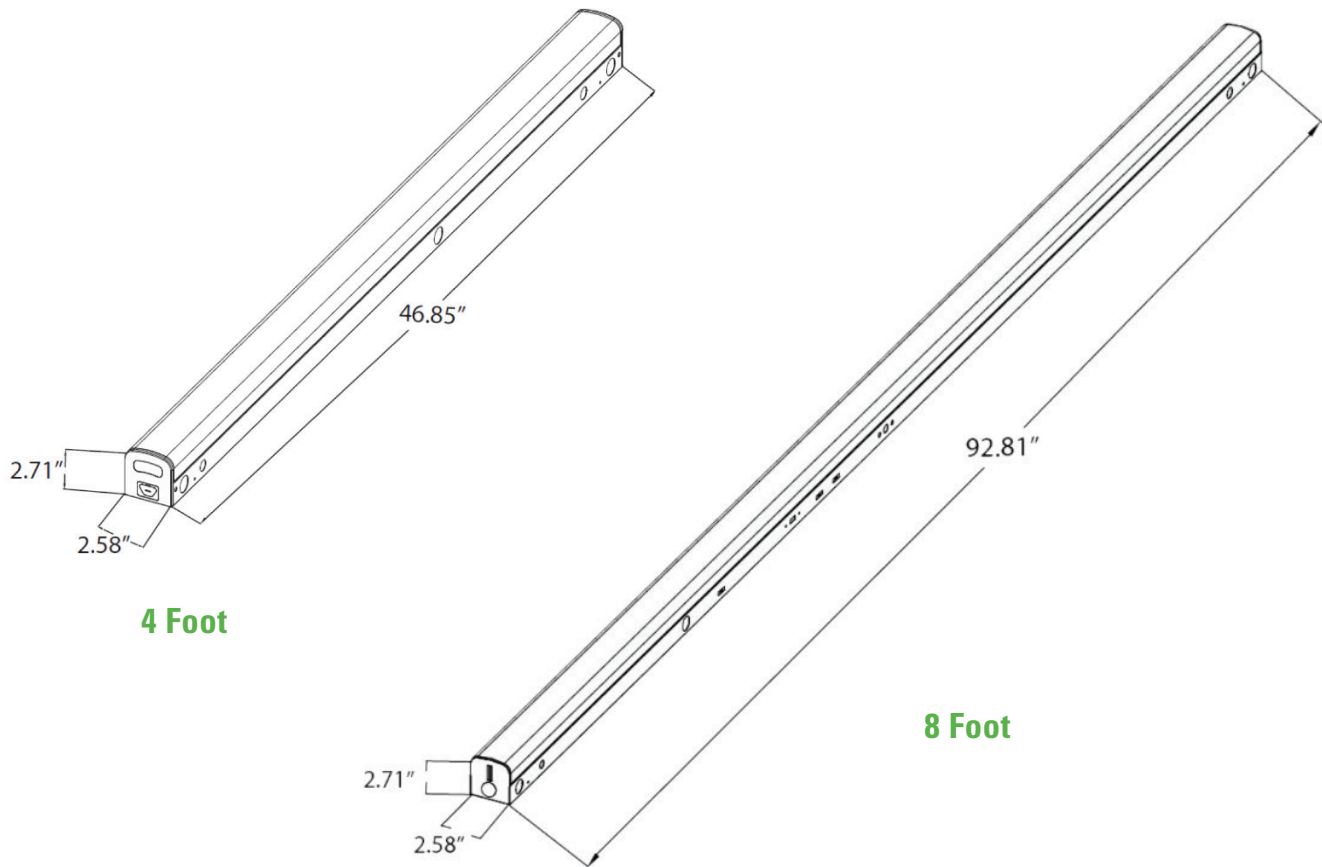


Emergency Test Button



LINKABLE STRIP FIXTURES 4FT & 8FT WATTAGE & CCT SELECTABLE

DIMENSIONS Unit: inch



4 Foot

8 Foot

ACCESSORIES



HB001 VCR 1



**Remote Control
LOC-GDHB-HD05R**



Emergency Back-up