

Project Name:	Fixture Type:
Complete Catalog #:	Date:
Comments:	

EAGLE EYE III SELECTABLE WALL PACK



The **Eagle Eye III Selectable Wall Pack** has a low-profile, contemporary design that provides directional light distribution, with full cutoff. These wall packs have 4-wattage- and 3-CCT-selectable output, making each model replace up to 12 standard models, for dramatic inventory reduction for distributors and contractors. This fixture provides excellent lumen output, to replace up to 400W Metal Halide, with minimal light pollution. These fixtures are constructed of an all aluminum housing with a UV-resistant prismatic lens, making them a very durable fixture, with 3G vibration rating and DLC listing.

FEATURES

- Up to 100W and 15,000 lumens
- 3G vibration tested
- Diecast aluminum housing and UV-resistant prismatic lens
- 4-power selectable and 3-CCT selectable, replacing up to 12 models each
- 120-277VAC and 347-380VAC options
- 1-10V dimming
- Optional photocell and emergency battery backup
- Wet location listed

APPLICATIONS

- Hotels
- Restaurants
- Schools
- Offices
- Warehouses
- Other commercial buildings



EAGLE EYE III SELECTABLE WALL PACK

ORDERING INFORMATION

PART NUMBER	WATTS	VOLTAGE	LUMENS (@4000K)	CCT	DIMMABLE	MIN ORDER QTY	US STOCK
ECO-SEM-MWP15-26W27VDDK-WP	26W/21W/16W/11W	120-277 VAC	3900/3400/2500/1900	3000K/4000K/5000K	1-10V	2	Yes
ECO-SEM-MWP15-38W27VDDK-WP	38W/31W/23W/17W	120-277 VAC	5700/4900/3700/2800	3000K/4000K/5000K	1-10V	2	Yes
ECO-SEM-MWP15-65W27VDDK-WP	65W/49W/34W/23W	120-277 VAC	9800/7900/5800/4000	3000K/4000K/5000K	1-10V	2	Yes
ECO-SEM-MWP15-65W48VDDK-WP	65W/49W/34W/23W	347-480VAC	9800/7900/5800/4000	3000K/4000K/5000K	1-10V	2	Yes
ECO-SEM-MWP15-100W27VDDK-WP	100W/84W/62W/43W	120-277 VAC	15000/12700/9500/6700	3000K/4000K/5000K	1-10V	2	Yes
ECO-SEM-MWP15-100W48VDDK-WP	100W/84W/62W/43W	347-480VAC	15000/12700/9500/6700	3000K/4000K/5000K	1-10V	2	Yes

TECHNICAL SPECIFICATIONS

System Efficacy	up to 174 lm/W
Luminous Flux	up to 15,000 lumens, field-switchable
CCTs	3000K/4000K/5000K, field-switchable
CRI	70+
Input Voltage	120-277 VAC (all wattages) or 347-480VAC (65W & 100W only)
Power Frequency	50-60 Hz
Power Factor	>90%
THD	<20%
Certifications	cULus, DLC, FCC
Environment	Wet listed, 3G vibration tested
Lifetime (L70)	50,000 hours
Warranty	10 years or 50,000 hours non-prorated
Operating Temperature	-40°F – 104°F
Housing Color	Dark Bronze, Black, White
Dimmable	1–10V
Optional Accessories	Photocell, Emergency battery backup

*Data is based upon tests performed in a controlled environment and representative performance. Actual performance can vary depending on operating conditions. Specifications are subject to change without notice. All specifications are nominal unless otherwise noted.

*IES files provided on request.

MOUNTING

Eagle Eye III can be mounted directly over a standard 4" or 5" electrical junction box. Three 1/2 inch conduit holes on three sides allow for surface conduit wiring.

CONTROLS

Control Options: 1-10V / Photocell / Emergency battery backup

Photocell

USE: Photocell is field installed or pre-installed in factory by requesting



Emergency Battery Backup

It can be pre-installed in factory or field installed



FEATURES

Photocell (Option)

Optional photocell allows for security and energy saving



Housing

Two-piece die-cast aluminum housing with optimal thermal management both enhances LED efficacy and extends fixture's life.



Mounting

MWP15 can be mounted directly over a standard 4' and 5' electrical junction box. Three 1/2 inch conduit holes on three sides allow for surface conduit wiring.



Emergency (Option)

8W Emergency battery, 900lm, 90min.



Power and CCT controller (Option)

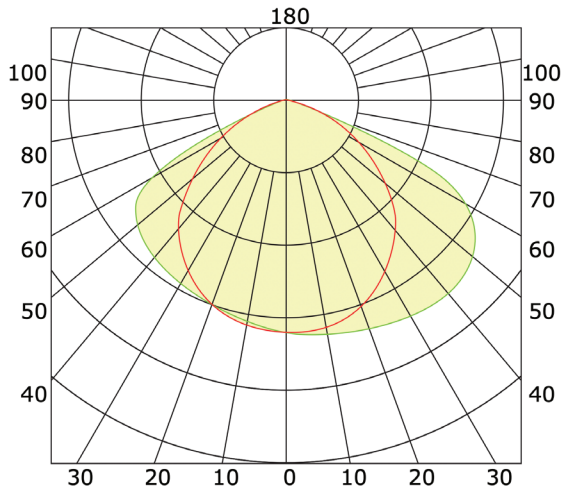
The wattage and CCT can be changed by switch selection on the controller, it easy and very fast to meet the varied requirements.



Optics

Zero uplight distributions. Independently designed optical lens, using anti-UV material to maximize the lighting effect while reducing glare.

PHOTOMETRICS

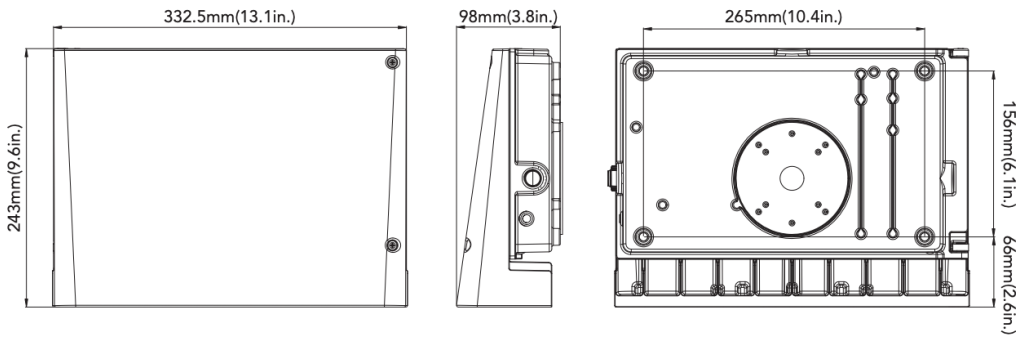


DIMENSIONS

unit: mm/inch

Small Size

For 26W, 38W, and 65W models



Large Size

For 100W models

