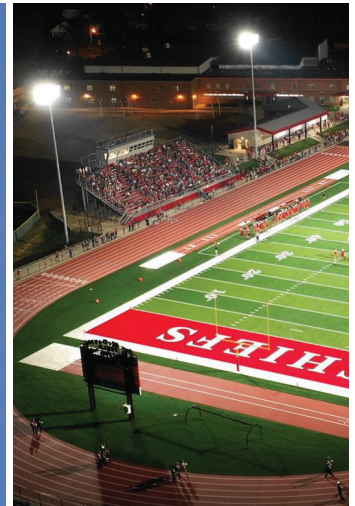


Project Name:	Fixture Type:
Complete Catalog #:	Date:
Comments:	

NORTH STAR ARENA & STADIUM FLOOD FIXTURE



The **North Star Arena & Stadium Flood Fixture** is one of the most advanced sports lights available. These fixtures are currently being used in professional FIFA stadiums, Major League Baseball, & the Sochi Winter Olympic Stadiums. With its patented 4G lens optics, this fixture has been designed to be used for HDTV broadcasts and is flicker free when using high speed cameras. These fixtures have a very high performance efficiency at 170 lm/W. They utilize premium Cree COB LEDs and Meanwell drivers, eliminating maintenance for 100,000+ hours.

FEATURES

- Cree COB LEDs & Meanwell drivers
- PWM, DALI, DMX, Zigbee, & manual controls
- IP67 for indoor & outdoor use
- Anti-glare design
- 170 lm/W
- 95% high efficiency
- Low flicker rate <0.2%, for HDTV broadcasting
- 500W model replaces 1000-1500W MH lamps

APPLICATIONS

- Indoor arenas
- Indoor and outdoor stadiums
- Tennis courts
- Other outdoor sports facilities
- High mast
- Flood lighting



NORTH STAR ARENA & STADIUM FLOOD FIXTURE

ORDERING INFORMATION

PART NUMBER	WATTAGE	LUMENS @ 80+ CRI	VOLTAGE	CRI	CCT	MIN ORDER QTY	US STOCK
ECO-KAO-NS-100W-FL North Star	100W	17,000	90-305 VAC	80+	3000K/4000K/5000K/5700K	2	NO
ECO-KAO-NS-150W-FL North Star	150W	25,500	90-305 VAC	80+	3000K/4000K/5000K/5700K	2	NO
ECO-KAO-NS-180W-FL North Star	180W	30,600	90-305 VAC	80+	3000K/4000K/5000K/5700K	2	NO
ECO-KAO-NS-200W-FL North Star	200W	34,000	90-305 VAC	80+	3000K/4000K/5000K/5700K	2	NO
ECO-KAO-NS-300W-FL North Star	300W	51,000	90-305 VAC	80+	3000K/4000K/5000K/5700K	2	NO
ECO-KAO-NS-360W-FL North Star	360W	61,200	90-305 VAC	80+	3000K/4000K/5000K/5700K	2	NO
ECO-KAO-NS-400W-FL North Star	400W	68,000	90-305 VAC	80+	3000K/4000K/5000K/5700K	2	NO
ECO-KAO-NS-500W-FL North Star	500W	85,000	90-305 VAC	80+	3000K/4000K/5000K/5700K	2	NO
ECO-KAO-NS-720W-FL North Star	720W	122,400	90-305 VAC	80+	3000K/4000K/5000K/5700K	2	NO
ECO-KAO-NS-1000W-FL North Star	1000W	170,000	90-305 VAC	80+	3000K/4000K/5000K/5700K	2	NO

TECHNICAL SPECIFICATIONS

LED Type	Cree COB
Driver Type	Meanwell
Optical Distributions	15°/25°/40°/60°/90°
CRI	80+ standard, 96+ optional
Efficacy	170+ Lm/W
IP Rating	IP67 Rated
Input Voltage	90-305 VAC
Power Frequency	50-60 Hz
Power Factor	>0.95
Flicker Factor	<0.2%, for HDTV broadcasting
Certifications	ETL, DLC, FCC
Housing Material	Aluminum
Bracket Material	Stainless Steel
Rated Life (L70)	>100,000 Hours
Warranty	10 Years, 50,000 Hours Non-Prorated
Operating Temperature	-40° - 131°F
Luminaire Net Weight	100W: 12.1 lbs. 1000W: 68.3 lbs.
EPA	100W: 0.81 ft ² 1000W: 5.9 ft ²
Controls	DALI, DMX, PWM dimming available

*Data is based upon tests performed in a controlled environment and representative performance.

Actual performance can vary depending on operating conditions.

Specifications are subject to change without notice. All specifications are nominal unless otherwise noted.

*IES files provided on request.

NORTH STAR ARENA & STADIUM FLOOD FIXTURE

CONTROLS

Control Options: DALI, DMX, PWM dimming available.

MOUNTING

Trunnion bracket



PHOTOMETRICS

100W: Illuminate at a Distance

Centre lux	Height	Centre lux	Height	Centre lux	Height	Centre lux	Height
495lux	10m	100lux	10m	167lux	10m	306lux	10m
125lux	20m	25lux	20m	42lux	20m	77lux	20m
56lux	30m	11lux	30m	19lux	30m	34lux	30m
31lux	40m	7lux	40m	10lux	40m	19lux	40m
20lux	50m	4lux	50m	7lux	50m	12lux	50m
	25degree		90degree		60degree		40degree

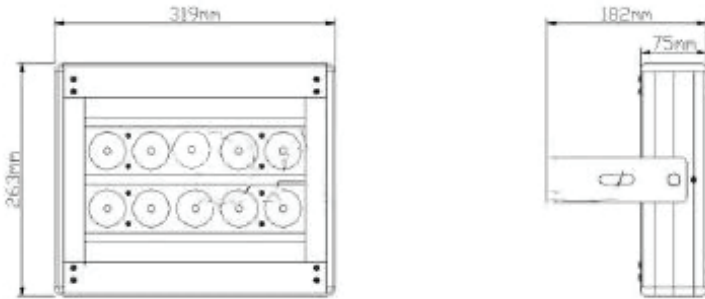
1000W: Illuminate at a Distance

Centre lux	Height	Centre lux	Height	Centre lux	Height	Centre lux	Height
4752lux	10m	2938lux	10m	1604lux	10m	960lux	10m
1200lux	20m	740lux	20m	404lux	20m	240lux	20m
538lux	30m	327lux	30m	183lux	30m	106lux	30m
298lux	40m	183lux	40m	96lux	40m	63lux	40m
192lux	50m	116lux	50m	65lux	50m	39lux	50m
	25degree		40degree		60degree		90degree

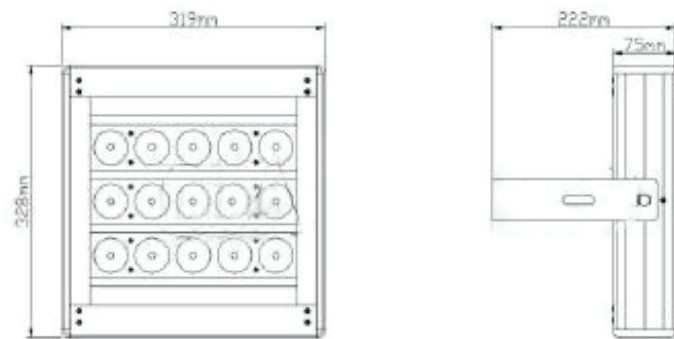
NORTH STAR ARENA & STADIUM FLOOD FIXTURE

DIMENSIONS

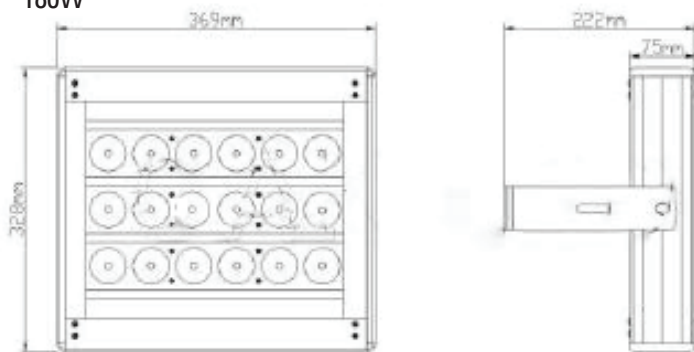
100W:



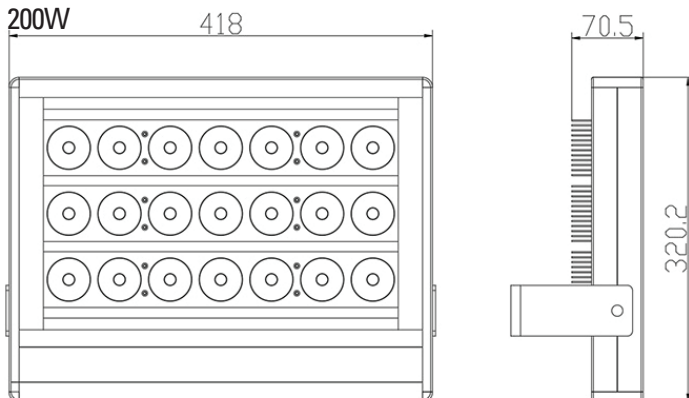
150W:



180W



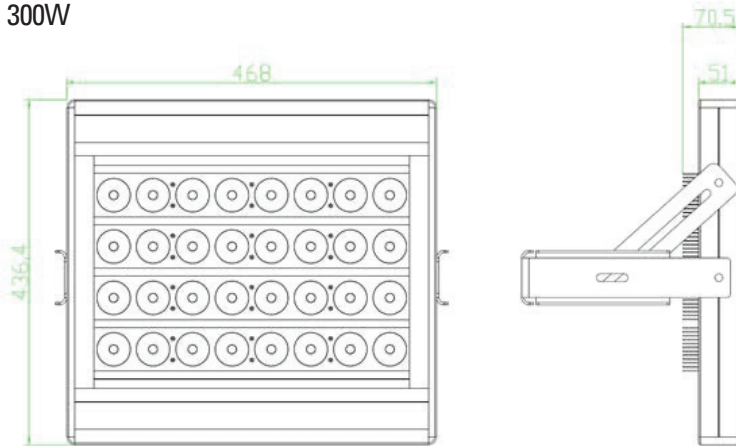
200W



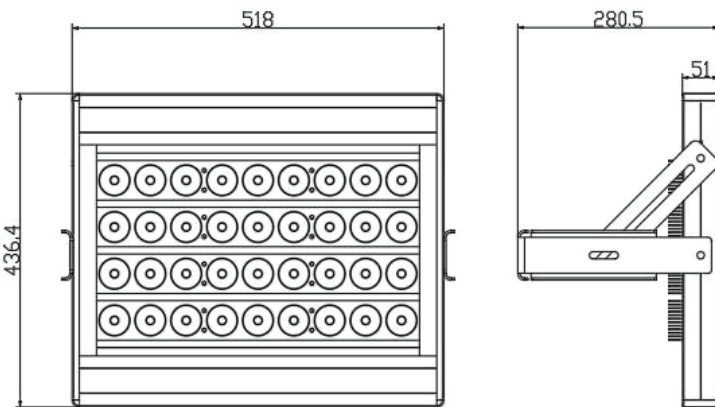
NORTH STAR ARENA & STADIUM FLOOD FIXTURE

DIMENSIONS

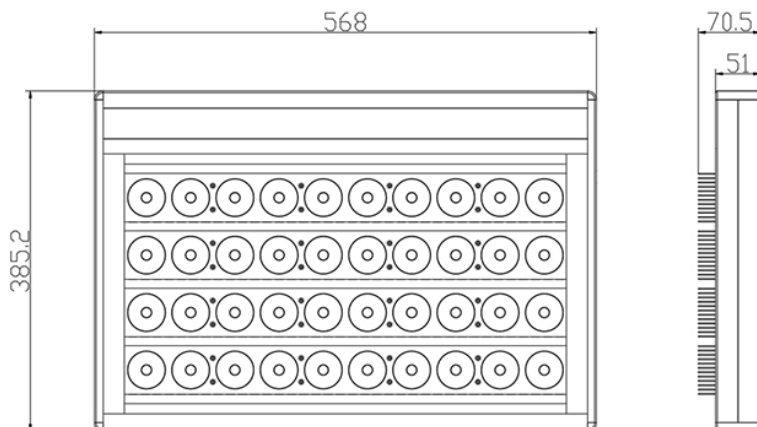
300W



360W:



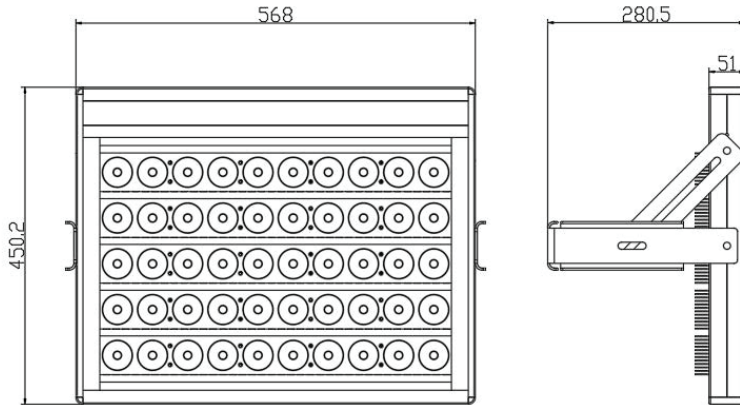
400W:



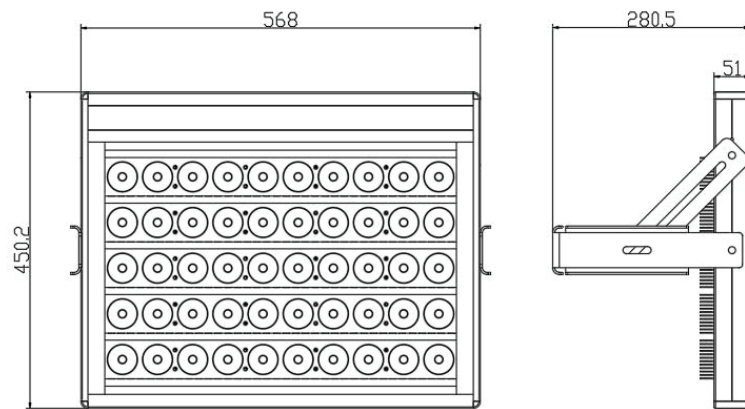
NORTH STAR ARENA & STADIUM FLOOD FIXTURE

DIMENSIONS

500W:



720W:



1000W:

