

Project Name:	Fixture Type:
Complete Catalog #:	Date:
Comments:	

## APOLLO G3 RGB & RGBA



The **Apollo G3 RGB & RGBA** are designed for both Indoor & Outdoor applications. They are ideally suited for facade, architectural, and sports lighting applications. These color-changing luminaires are simple, smart, and easy to use. They provide a full-spectrum color flood lighting solution with advanced functionality, versatility, and operational efficiency. The RGB luminaires are 600W, and the RGBA fixtures are 1,200W. Either is available in 100-277VAC or 277-480VAC input. Control options include a wireless control system with DALI-2 or wired DMX512 controls. Both the luminaires and the controller enclosure are NEMA 4X rated weatherproof.

### FEATURES

- NEMA 4X rated luminaires and controller enclosure
- 100-277VAC or 277-480VAC
- Aircraft-grade aluminum with high resistance to corrosion and UV damage.
- Excellent fatigue resistance and durable construction for harsh environments.
- Precise light distribution minimizes glare and spill light.
- NEMA3, NEMA4, NEMA5, and NEMA6 light distributions available.
- Wireless control system with DALI-2
- Wired DMX512
- RGB: Red/Green/Blue, 600W total output
- RGBA: Red/Green/Blue/Amber, 1200W total output

### APPLICATIONS

- Facade
- Architectural
- Ballparks
- Hockey Rinks
- Basketball Courts
- Multi-Use Complexes



## ORDERING INFORMATION

MODEL NUMBER	POWER	COLOR-CHANGING TYPE	LUMENS	VOLTAGE	DRIVER OPTION	MIN. ORDER QTY	US STOCK	SIZE(INCH)
ECO-OKIA-AFL09-600W-RGB-12V-ID	600W	RGB	Red: 16,979 Green: 12,999 Blue: 7,673	100-277VAC	Integrated Driver	2	Y	27.01"x12.12"x12.24"
ECO-OKIA-AFL09-600W-RGB-24V-ID	600W	RGB	Red: 16,979 Green: 12,999 Blue: 7,673	277-480VAC	Integrated Driver	2	Y	27.01"x12.12"x12.24"
ECO-OKIA-AFL09-600W-RGB-12V-RD	600W	RGB	Red: 16,979 Green: 12,999 Blue: 7,673	100-277VAC	Remote Driver	2	Y	27.01"x12.12"x12.24"
ECO-OKIA-AFL09-600W-RGB-24V-RD	600W	RGB	Red: 16,979 Green: 12,999 Blue: 7,673	277-480VAC	Remote Driver	2	Y	27.01"x12.12"x12.24"
ECO-OKIA-AFL09-1200W-RGBA-12V-ID	1200W	RGBA	Red: 16,979 Green: 12,999 Blue: 7,673 Amber: 10,902	100-277VAC	Integrated Driver	2	Y	27.56"x12.36"x15"
ECO-OKIA-AFL09-1200W-RGBA-24V-ID	1200W	RGBA	Red: 16,979 Green: 12,999 Blue: 7,673 Amber: 10,902	277-480VAC	Integrated Driver	2	Y	27.56"x12.36"x15"
ECO-OKIA-AFL09-1200W-RGBA-12V-RD	1200W	RGBA	Red: 16,979 Green: 12,999 Blue: 7,673 Amber: 10,902	100-277VAC	Remote Driver	2	Y	27.56"x12.36"x15"
ECO-OKIA-AFL09-1200W-RGBA-24V-RD	1200W	RGBA	Red: 16,979 Green: 12,999 Blue: 7,673 Amber: 10,902	277-480VAC	Remote Driver	2	Y	27.56"x12.36"x15"

## TECHNICAL SPECIFICATIONS

Light Distributions	NEMA3, NEMA4, NEMA5, or NEMA6
Wattage	600W RGB or 1200W RGBA
Efficacy	62 Lm/W @ 600W, 40 Lm/W @ 1200W
Weatherproof Rating	NEMA 4X
Input Voltage	100-277 VAC or 277-480 VAC
Power Frequency	50-60 Hz
Certifications	UL
Housing Material	Aircraft Grade Aluminum
Warranty	10 year or 50,000 hour non-prorated
Operating Temperature	-40°F to 131°F
Driver Options	Integrated driver or remote driver
Controls	Fully controllable lighting effects with the Central Base Station. The base station can be controlled from a LAN, WiFi, or Cell network. Wireless with DALI-2 or wired DMX512.

\*Data is based upon tests performed in a controlled environment and representative performance. Actual performance can vary depending on operating conditions. Specifications are subject to change without notice. All specifications are nominal unless otherwise noted.

\*IES files provided on request.

## LUMEN OUTPUT

Wattage	600W RGB			1200W RGBA			
Color	Red	Green	Blue	Red	Green	Blue	Amber
Lumens	16,979	12,999	7,673	16,979	12,999	7,673	10,902

## ACCESSORIES

- Laser & bracket set
- Pre-wiring connector

## CONTROL

- Wireless control system with DALI-2 or wired DMX512.
- Allows for controlled manual access to a simple lighting control system.
- Weather protected — perfect for both indoor and outdoor applications.
- Optional, pre-configured 5-button switches to allow for control of all lighting within the facility.
- External ethernet port for connecting to an IT network.



The Central Base Station can be installed anywhere you need wireless push-button lighting control, such as municipal ballparks, hockey arenas, basketball facilities, and other multi-use complexes.

The heart of the Central Base Station is the SS420/450 site controller, contained in a NEMA 4X weatherproof enclosure. An optional bank of 5 buttons allows for controlled manual access to site lighting controls.

The Central Base Station makes it easy for electricians to quickly install the AirMesh controller and enables quick and simple access to a switch station that can be programmed to meet the needs of the end-user.

### Central Base Station Specifications:

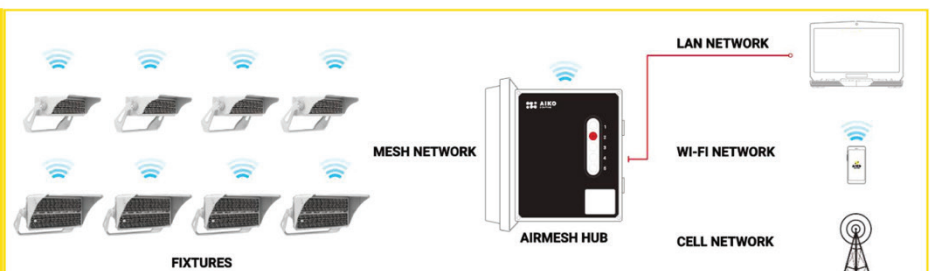
Dimensions	15.5" x 13.5" x 7.7" (393 x 342 x 195 mm)
Input Power	90-120VAC 8W max, 6kV surge protection
Operating Environment	-4°F to 131°F, IP65
Radio	SNAP 2.4GHz 802.15.4 Wi-Fi 2.4Ghz 802.11 b/g/n
Certifications	FCC/IC; Tested to CAN/CSA C22.2 No. 60950-1/ A2:2014 and UL 60950-1/R:2014-10
Warranty	10 Years or 50,000 hours non-prorated

### Sample System Topology

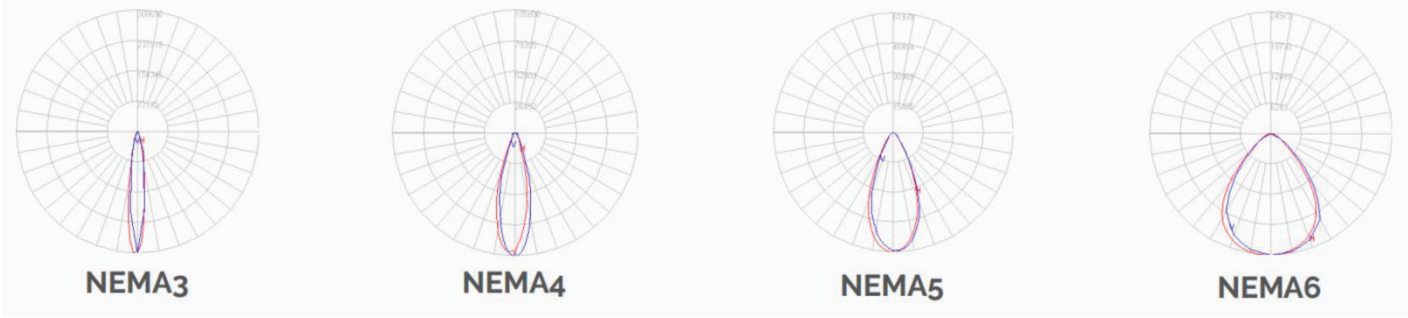
(Wireless AirMesh Controls)

Example system topology showing the Apollo G3 system in a Wireless AirMesh Control Installation.

Note: Lap top or mobile device not included.

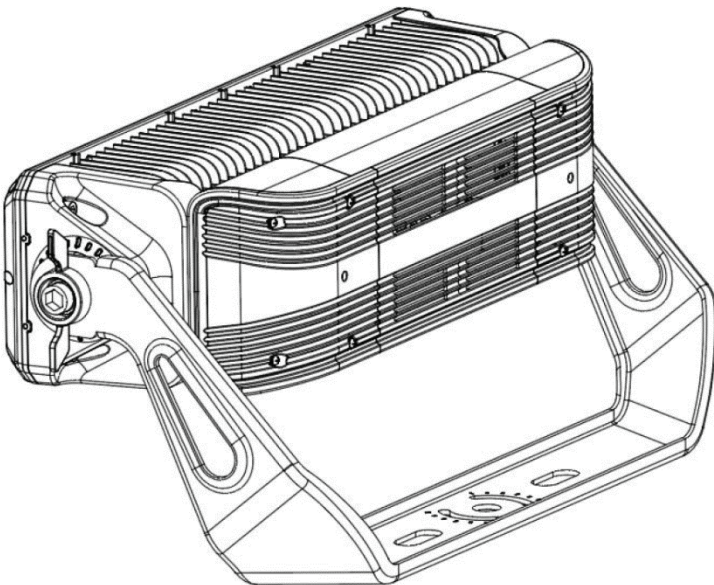
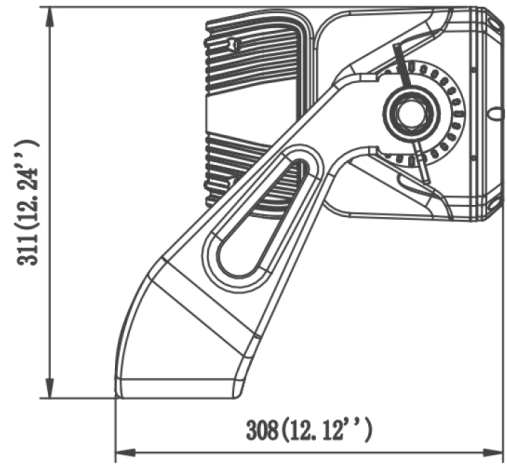
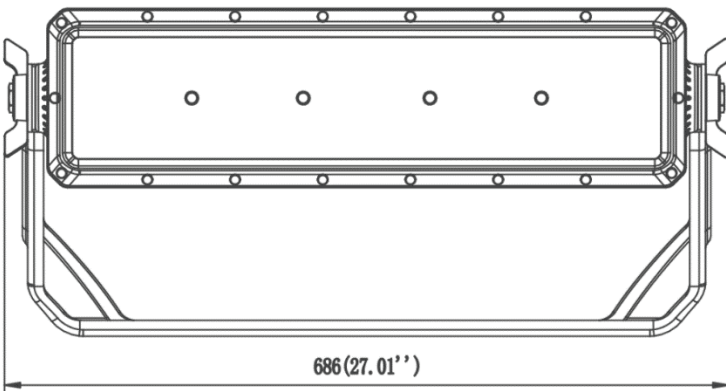


## PHOTOMETRICS



## DIMENSIONS Unit: inch

### 600W RGB:



# APOLLO G3 RGB & RGBA

**DIMENSIONS** Unit: inch

**1200W RGBA:**

