

Project Name:	Fixture Type:
Complete Catalog #:	Date:
Comments:	

VENUS II Plus HIGH MAST FIXTURE



The **Venus II Plus High Mast Fixture** is a highly durable luminaire that is ideal for highways, shipping ports, container yards, military bases, parking lots, airports, and more. The Venus II Plus can be a direct replacement for up to 1,500W HPS using the 750W, 112,000 lumen model using an upgraded OSRAM P8 +P9 Chipset. The housing is constructed of LM6 cast aluminum, with a 2,000 hour salt spray rated finish, and Patented Herculux High Transmissivity Optics.

The rotating optical assembly provides design flexibility and multiple light distributions are available. These durable fixtures are cULus listed, IP66 rated, and 3G vibration rated.

FEATURES

- 150 lpW
- Up to 750W and 112,000 lumens per ANSI/IES LM79-19
- 0-10V, PWM, Bluetooth, and DALI control options
- cULus listed
- IP66 rated
- 3G vibration rated per ANSI C136.31-2023
- Direct replacement for up to 1,000W HPS
- LM6 cast aluminum housing
- 2,000 hour salt spray rated finish
- Optional tempered glass cover

APPLICATIONS

- Highways
- Shipping ports
- Container yards
- Truck stops
- Military bases
- Parking lots
- Airports
- Rail yards
- Toll plazas



VENUS II Plus HIGH MAST FIXTURE

PERFORMANCE INFORMATION

POWER	LUMENS	CCT	LIGHT DISTRIBUTIONS	MINIMUM ORDER QUANTITY	US STOCK
210W	31,290	2200K/3000K/4000K/5000K/5700K	Type II, Type III, Type IV, Type V, Type VS	2	Y
240W	35,760	2200K/3000K/4000K/5000K/5700K	Type II, Type III, Type IV, Type V, Type VS	2	Y
320W	48,000	2200K/3000K/4000K/5000K/5700K	Type II, Type III, Type IV, Type V, Type VS	2	Y
475W	71,200	2200K/3000K/4000K/5000K/5700K	Type II, Type III, Type IV, Type V, Type VS	2	Y
570W	85,500	2200K/3000K/4000K/5000K/5700K	Type II, Type III, Type IV, Type V, Type VS	2	Y
631W	94,019	2200K/3000K/4000K/5000K/5700K	Type II, Type III, Type IV, Type V, Type VS	2	Y
750W	112,000	2200K/3000K/4000K/5000K/5700K	Type II, Type III, Type IV, Type V, Type VS	2	Y

PART NUMBER BUILDER

MFR	PRODUCT	WATTAGE	CCT	INPUT VOLTAGE	LIGHT DISTRIBUTION TYPE
ECO	OKIA-AHM03	210W	22K = 2200K	277V = 100-277VAC	60 = 60°
		240W	30K = 3000K	480V = 277-480VAC	T2 = Type II
		320W	40K = 4000K		T3 = Type III
		475W	50K = 5000K		T4 = Type IV
		570W	57K = 5700K		T5 = Type V
		631W			T5S = Type VS
		750W			
EXAMPLE PART NUMBER					
ECO-OKIA-AHM03-750W-50K-277V-T3					

VENUS II Plus HIGH MAST FIXTURE

TECHNICAL SPECIFICATIONS

LED Brand	OSRAM P8 +P9
Driver Brands	Philips, Meanwell, Inventronics
Lumens	Up to 112,000
Input Voltage	100-277VAC or 277-480VAC
Operating Temperature	-40° to 122° F
Controls	0-10V/PWM/Bluetooth/DALI
Power Frequency	50-60Hz
Power Factor	≥0.9 at max load
Flicker Factor	<2%
THD	<15%
Power Efficiency	>0.93
Surge Protection	Standard Line 20kV, Line-FG 20kV per ANSI C136.2-2023
CRI	70+
CCT	2200K/3000K/4000K/5000K/5700K
Light Distributions	30°,40°,50°,60°,90° / Type II, Type III, Type IV, Type V, Type VS
Backlight-Uplight-Glare (BUG) Rating	B5-U0-G5
Lumen Maintenance (L70)	50,000 hours per ANSI/IES TM-21-11 at 25 °C
Certifications	cULus, 3G vibration rated per ANSI C136.31-2023, FCC
Housing Material	LM6 cast aluminum with 2000 hour salt spray rated powder coat finish
Housing Color	Grey
Optic	PC (Anti UV & Dust)
Cover (optional)	Tempered glass 3.2mm, shatter proof
EPA	1.64ft ²
IP Rating	IP66 (Type A), IP65 (Type B)
Net Weight With Driver	54.7 lbs
Warranty	10 years or 50,000 hours non-prorated

*Data is based upon tests performed in a controlled environment and representative performance. Actual performance can vary depending on operating conditions. Specifications are subject to change without notice. All specifications are nominal unless otherwise noted.

*IES files provided on request.

* Electrical and photometric measurements performed according to ANSI/IES LM-79-19.

OUTPUT CURRENT

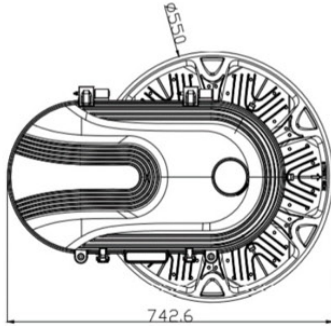
Model	Module quantity diagram	Module quantity	Power (W)	Output current
Venus II High Mast Fixture		2pcs	210	4.1A
		3pcs	240	4.68A
		4pcs	320	6.24A
			475	9.26A
		6pcs	570	11.2A
			631	12.3A
	7pcs	750	14.62A	

CONTROLS

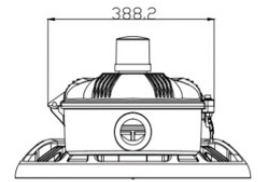
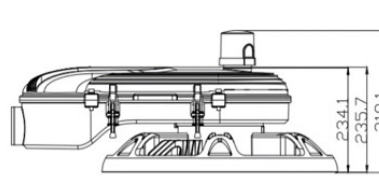
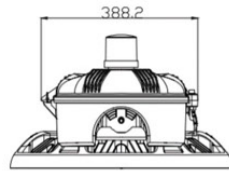
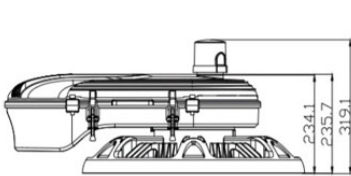
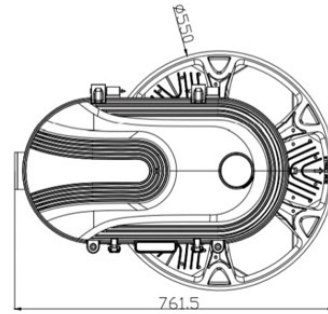
Control Options: 0-10V/PWM/Bluetooth/DALI. 7-pin shorting cap available.

DIMENSIONS

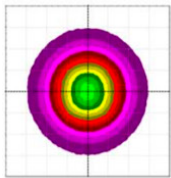
**Type A
(Bolt Mounting)**



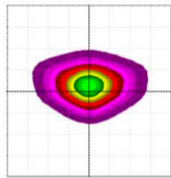
**Type B
(Sleeve Mounting)**



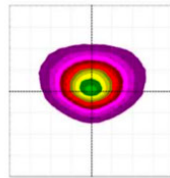
PHOTOMETRICS



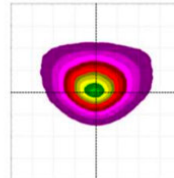
60 Degree



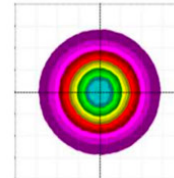
Type II



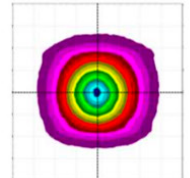
Type III



Type IV



Type V



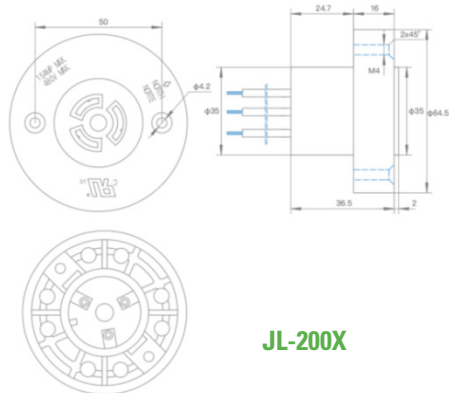
Type VS

* Type VS optic provides Area Wide (AW) photometrics / light distribution.

PHOTOCONTROL & RECEPTACLE OPTIONS

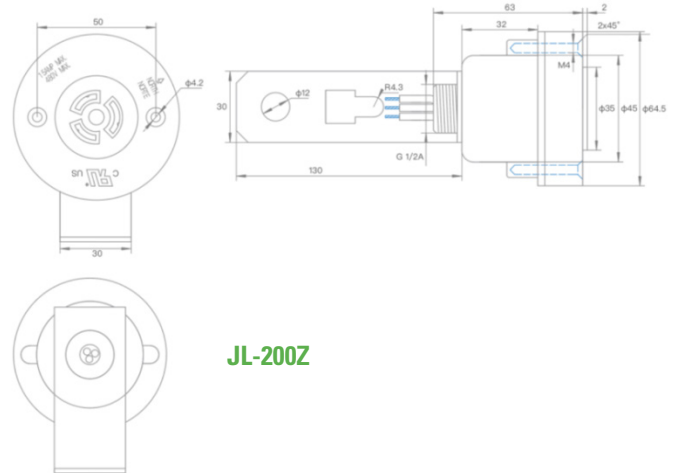
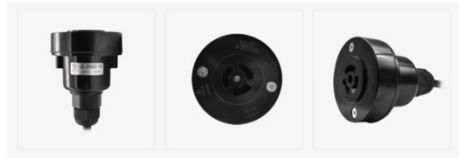
Photocontrol Receptacle (NEMA 3P)

JL-200X



JL-200X

JL-200Z



JL-200Z

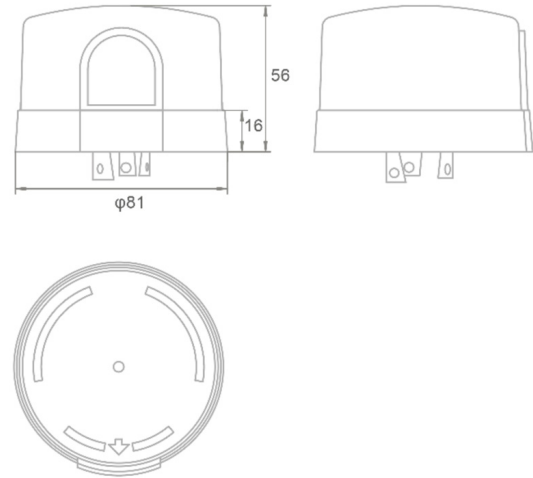
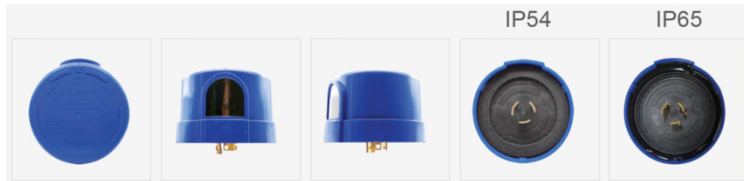
Specifications

Model No.	JL-200X	JL-200Z
Power Volt Range	0~480VAC	
Rated Frequency	50/60Hz	
Load Rating	15 A	
Ambient Temperature	-40°C ~ +70°C	
Related Humidity	96%	
Accessory	Rear holder	—
	Zinc Alloy Lock Nut	—
	Mounting Bracket	—
Lead Length	6" min	
Lead	AWG#12/14/16 AWG#18(non-UL)	AWG#12/14 AWG#16/18(non-UL)
Cable Line (IP65)	—	Optional
Certifications	ANSI C136.10-2010 (RS type only)	ANSI C136.10-2010 (RS type only)

PHOTOCONTROL & RECEPTACLE OPTIONS, CONTINUED

Electronic Photocontrol Fail-On

JL-205C & JL-205-12D/24D



Specifications

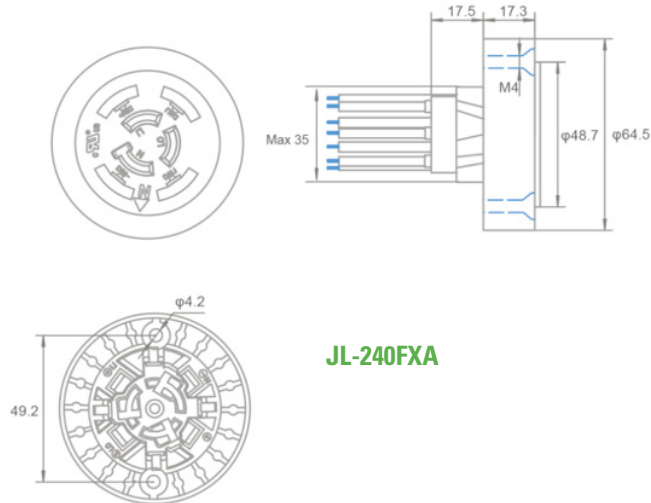
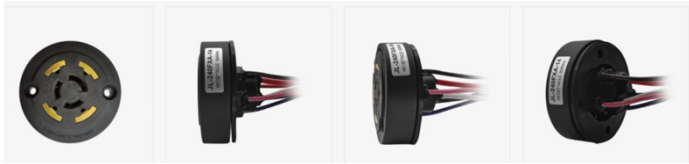
Model No.	JL-205C	JL-205-12D	JL-205-24D
Rated Voltage	120~277VAC	12VDC	24VDC
Rated Frequency	50/60Hz	—	—
Applicable Voltage Range	105~305VAC	—	—
Relay	15A		
Rated Loading	1000W Tungsten 1800VA Ballast 8A@120VAC/5A@208-277V e-Ballast	75W Tungsten 75VA Ballast 2A e-Ballast	150W Tungsten 150VA Ballast 2A e-Ballast
Power Consumption	3W@120V	—	—
Operate Levels	10-20Lx Turn-On / 30-60Lx Turn-Off		
Ambient Temperature	-40°C ~ +70°C		
Related Humidity	96%		
Fail Mode	Fail-On		
Shell material	Optional Sandwich cover		
High protection	Sandwich cover (optional)		
IP level	IP54 / IP65 / IP67		
Certifications			

VENUS II Plus HIGH MAST FIXTURE

PHOTOCONTROL & RECEPTACLE OPTIONS, CONTINUED

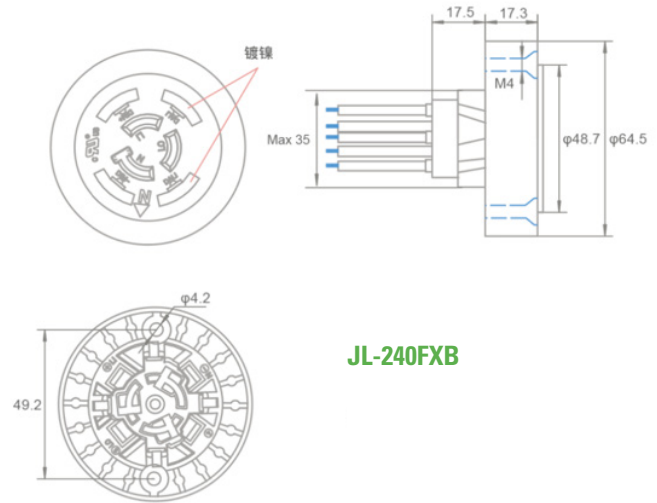
Waterproof Twist-lock Dimming receptacle (NEMA 7P/5P)

JL-240FXA




JL-240FXA

JL-240FXB



JL-240FXB

Specifications

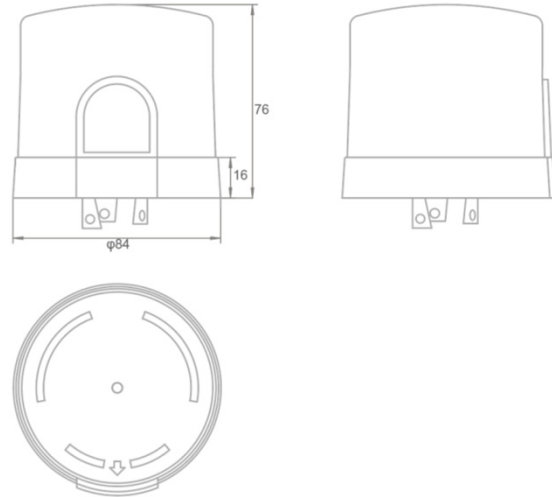
Model No.	JL-240F
Applicable Volt Range	0~480VAC
Rated Frequency	50/60Hz
Power Loading	15A
Signal Control	0-30 VDC, 250 mA Max
Lead	16AWG, 14AWG 6" min
Ambient Temperature	-40°C ~ +70°
Related Humidity	96%
Outdoor Wiring Cable	•
Certifications	ANSI C136.41-2013 

VENUS II HIGH MAST FIXTURE

PHOTOCONTROL & RECEPTACLE OPTIONS, CONTINUED

Smart Dimming Photocontrol

JL-241/242/243



Specifications

Model No.	JL-241/242/243C	JL-241/242/243E	JL-241/242/243F
Rated Voltage	120~277VAC	347VAC	480VAC
Rated Frequency	50/60Hz	—	—
Applicable Voltage Range	105~305VAC	105~382VAC	105~528VAC
Rated Frequency	50/60Hz		
Dimming Output	0~10V DC		
Spectral Acquisition Range	350~1100nm; Peak wavelength: 590nm		
Rated Loading	1000W Tungsten, 1800VA Ballast, 8A@120VAC/5A@208 -277VAC e-Ballast	1800W Tungsten, 1800VA Ballast, 5A@208-277VAC e-Ballast	1800W Tungsten, 1800VA Ballast
Operate Levels	Turn-On < 100Lx, Turn-Off > 100Lx / per client request		
Typical Time Delay	5s		
Ambient Temperature	-40°C ~ +70 °		
Related Humidity	96%		
Fail Mode	Fail-On		
Shell material	PC+PC		
High protection	Sandwich cover (optional)		
Surge protection	640 Joule / 40kA Amp MYL1-40K511	640 Joule / 40kA Amp MYL1-40K911	
IP level	IP65/IP67		
Factory settings	Illuminance/Delayed Customizable	Illuminance/Delayed/Reduction Duration Customizable	
Certifications			