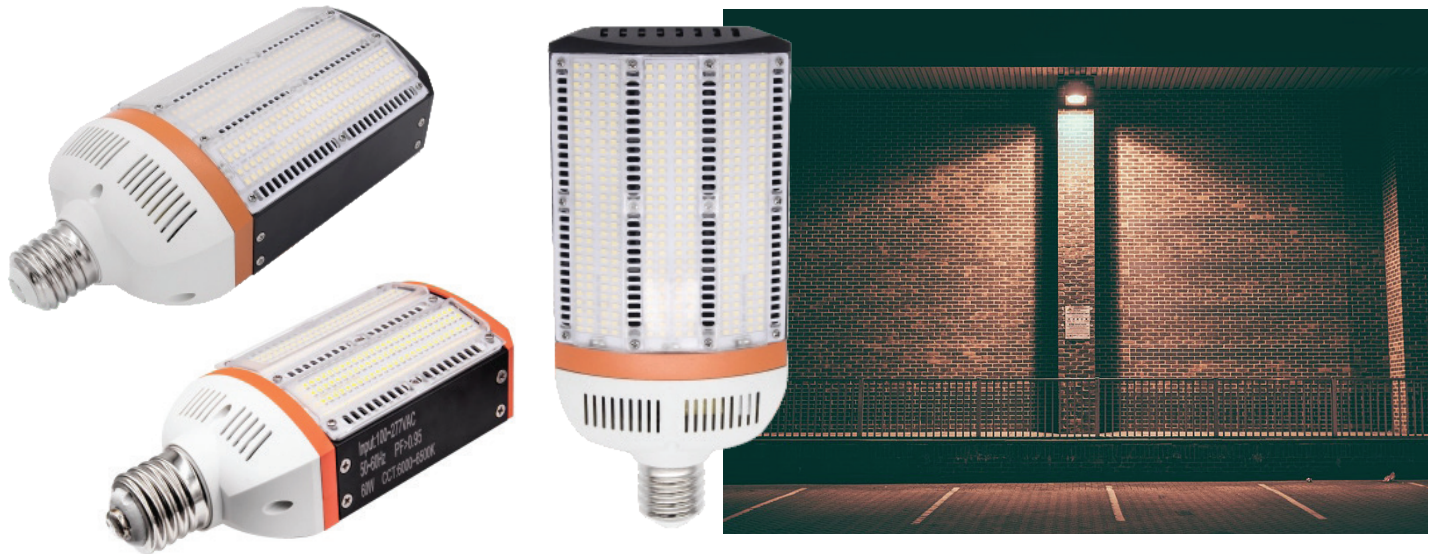


Project Name:	Fixture Type:
Complete Catalog #:	Date:
Comments:	

HAWK EYE 1 180 DEGREE RETROFIT LAMPS



The **Hawk Eye 1 180 Degree Retrofit Lamps** are a premium, cost-effective replacement for HID lamps in directional wall pack, canopy, shoe box, and cobra head fixtures. Intended for outdoor commercial and industrial applications, these lamps provide an IP54 rating, and a pure aluminum body / heat sink, surface treated to maximize thermal dissipation. These LED retrofits improve efficacy, CRI, start time, and lamp life compared to HID lamps. Simple Type B, ballast bypass installation eliminates HID ballast failures.

FEATURES

- Pure aluminum head sink with surface treatment
- 340 degree wide-angle lamp holder
- Up to 150 lm/W
- Emits no UV and contains no mercury
- Available in mogul (E39/EX39/E40) or medium base (E26/E27).
- Input voltage of 100-277VAC
- Type B, ballast bypass

APPLICATIONS

- Wall packs
- Canopies
- Shoe boxes
- Cobra heads
- Ideal for outdoor, directional HID retrofit



HAWK EYE 1 180 DEGREE RETROFIT LAMPS

ORDERING INFORMATION

PART NUMBER	WATTAGE	LUMENS	VOLTAGE	LAMP BASE	CCT	MIN ORDER QTY	US STOCK
ECO-NS-ARK30W-01C	30W	4,500	100-277VAC	E26/E27 or E39/EX39/E40	3000K/4000K/6000K	1	YES
ECO-NS-ARK40W-01C	40W	6,000	100-277VAC	E26/E27 or E39/EX39/E40	3000K/4000K/6000K	1	YES
ECO-NS-ARK60W-01C	60W	8,600	100-277VAC	E26/E27 or E39/EX39/E40	3000K/4000K/6000K	1	YES
ECO-NS-ARK80W-01C	80W	12,000	100-277VAC	E39/EX39/E40	3000K/4000K/6000K	1	YES
ECO-NS-ARK100W-01C	100W	15,000	100-277VAC	E39/EX39/E40	3000K/4000K/6000K	1	YES
ECO-NS-ARK120W-01C	120W	18,000	100-277VAC	E39/EX39/E40	3000K/4000K/6000K	1	YES
ECO-NS-ARK150W-01C	150W	22,000	100-277VAC	E39/EX39/E40	3000K/4000K/6000K	1	YES

TECHNICAL SPECIFICATIONS

Beam Angle	207 degrees
Wattage	Up to 150W
Lumens	Up to 22,000
Power Efficiency	>0.87
CRI	80+
Efficacy	Up to 150 lm/W
IP rating	IP54
Input Voltage	100-277VAC
Power Frequency	50/60 Hz
Certifications	ETL, DLC, FCC, RoHS
Power Factor	>0.9
Rated Life (L70)	50,000 hours
Warranty	10 Years or 50,000 Hours Non-Prorated
Operating Temperature	30W to 60W: -40°F - 131°F 80W to 150W: -40°F - 113°F
Luminaire Gross Weight	1.5 lbs for 30W 3.5 lbs for 150W
Dimmable	No
Operating restrictions:	Outdoor luminaire use only. Use in IP65 minimum luminaires. <90% Humidity
HID/CFL Equivalency	30W LED = 100W HID/CFL 150W LED = 480W HID/CFL

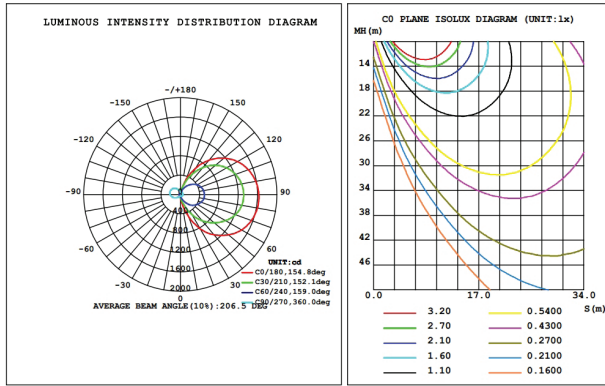
*Data is based upon tests performed in a controlled environment and representative performance.
Actual performance can vary depending on operating conditions.
Specifications are subject to change without notice. All specifications are nominal unless otherwise noted.

*IES files provided on request.

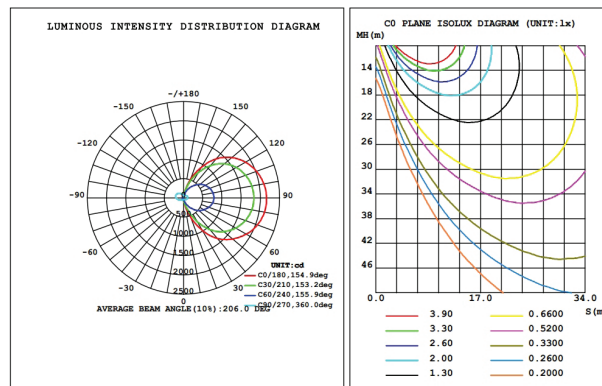
HAWK EYE 1 180 DEGREE RETROFIT LAMPS

PHOTOMETRICS

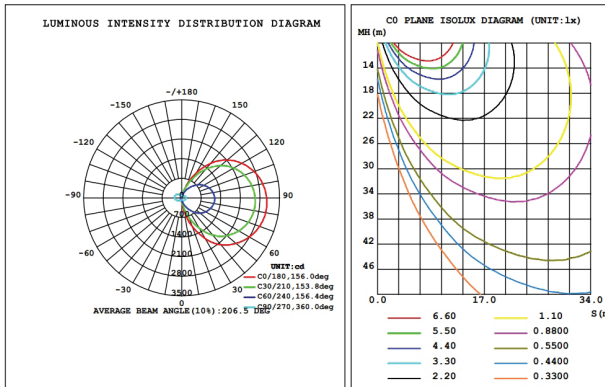
30W



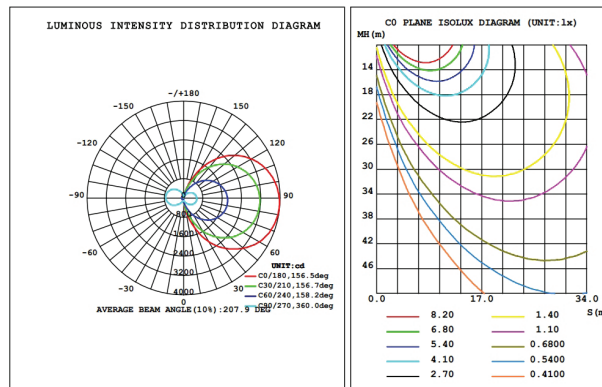
40W



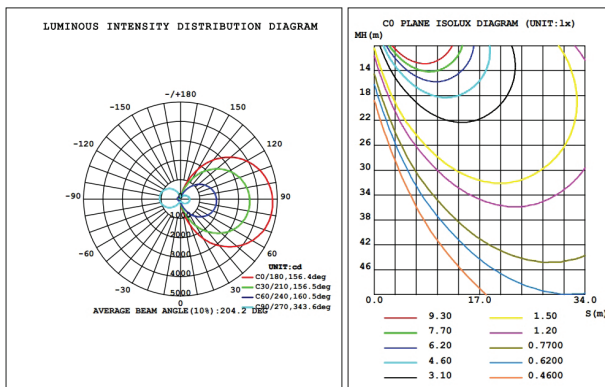
60W



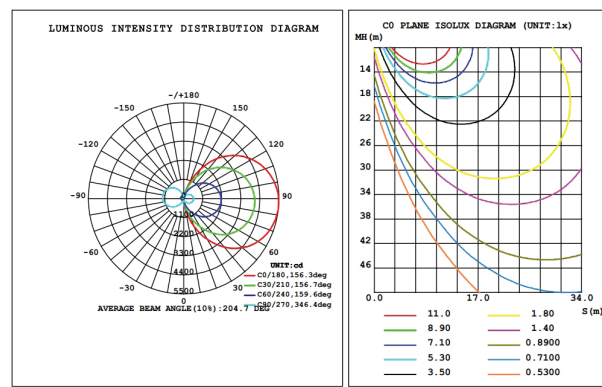
80W



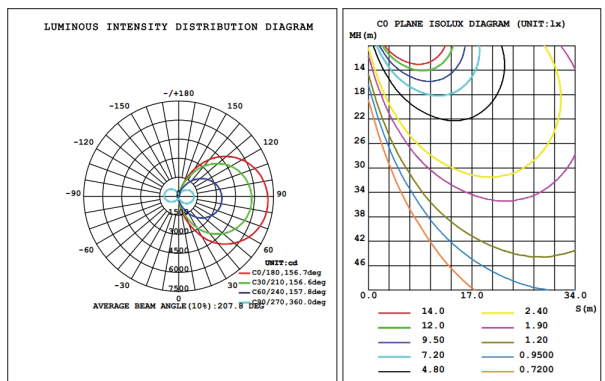
100W



120W



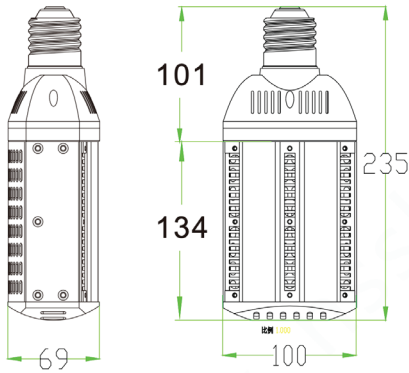
150W



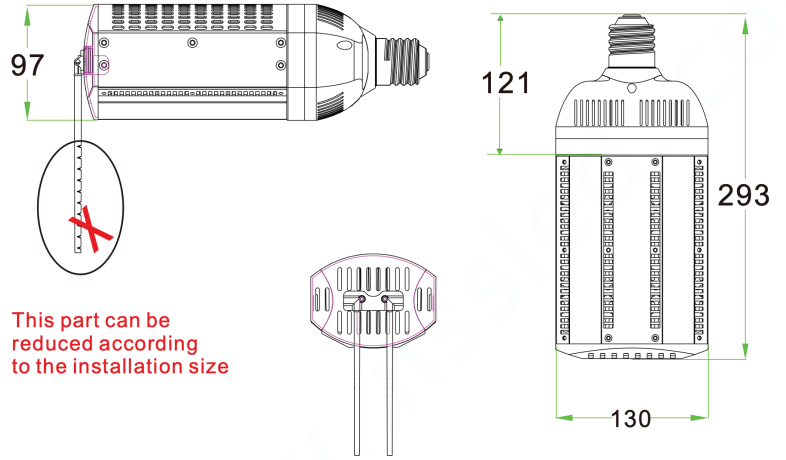
HAWK EYE 1 180 DEGREE RETROFIT LAMPS

DIMENSIONS

30W, 40W, & 60W Mogul base:

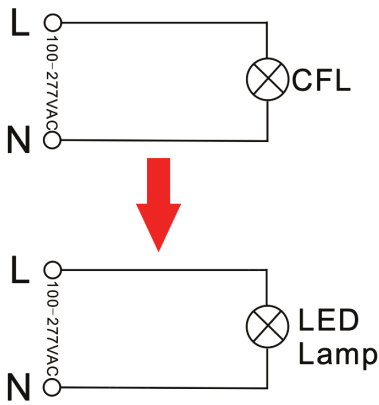


80W, 100W, 120W, & 150W Mogul base:



INSTALLATION

Replace CFL



Replace HPS

