

Project Name:	Fixture Type:
Complete Catalog #:	Date:
Comments:	

OLD LONDON TOWN MULTI WATTAGE & CCT SELECTABLE POST TOP FIXTURE



The **Old London Town Multi Wattage & CCT Selectable Post Top Fixture** combines an attractive traditional design with energy-efficient LED technology, up to 130lm/W. The housing is a durable die-cast aluminum with UV resistant polycarbonate lens. This post top is IP65 rated for outdoor applications. It is ideal for sidewalks, parks, roadways, and site area lighting. The post top is offered in six sets of three lumen packages (100%, 50%, 30%); as well as 3-CCT selectable (3000K, 4000K, 5000K).

FEATURES

- cETLus wet location
- DLC
- Up to 130 lm/W
- IP65
- 120-277VAC
- Up to 15,600 lumens
- Motion sensor option

APPLICATIONS

- Sidewalks
- Parks
- Roadways
- Gardens
- Site area lighting



ORDERING INFORMATION

PART NUMBER	SELECTABLE WATTAGE	MAXIMUM SELECTABLE LUMENS	VOLTAGE	SELECTABLE CCT	MIN. ORDER QUANTITY	US STOCK
ECO-CH-YPT-MW(30/15/9W) MCCT(30/40/50K)	30W/15W/9W	3,900	120-277VAC	3000K/4000K/5000K	2	Yes
ECO-CH-YPT-MW(50/25/15W) MCCT(30/40/50K)	50W/25W/15W	6,500	120-277VAC	3000K/4000K/5000K	2	Yes
ECO-CH-YPT-MW(60/30/18W) MCCT(30/40/50K)	60W/30W/18W	7,800	120-277VAC	3000K/4000K/5000K	2	Yes
ECO-CH-YPT-MW(80/40/24W) MCCT(30/40/50K)	80W/40W/24W	10,400	120-277VAC	3000K/4000K/5000K	2	Yes
ECO-CH-YPT-MW(100/50/30W) MCCT(30/40/50K)	100W/50W/30W	13,000	120-277VAC	3000K/4000K/5000K	2	Yes
ECO-CH-YPT-MW(120/60/36W) MCCT(30/40/50K)	120W/60W/36W	15,600	120-277VAC	3000K/4000K/5000K	2	Yes

TECHNICAL SPECIFICATIONS

Beam Angles	120° / 90*140°
CRI	75+
Efficacy	Up to 130 Lm/W
IP Rating	IP65
Input Voltage	120-277 VAC
Power Frequency	50-60 Hz
Power Factor	≥0.90
Certifications	cETLus, DLC, FCC
Housing Material	Die-cast Aluminum with UV resistant polycarbonate lens
Rated Life (L70)	>50,000 Hours
Warranty	10 Years, 50,000 Hours Non-Prorated
Operating Temperature	-40°F to 122°F
Controls	3-Wattage selectable, 3-CCT selectable, Optional motion sensor.

*Data is based upon tests performed in a controlled environment and representative performance. Actual performance can vary depending on operating conditions. Specifications are subject to change without notice. All specifications are nominal unless otherwise noted.

*IES files provided on request.

OLD LONDON TOWN MULTI WATTAGE & CCT SELECTABLE POST TOP FIXTURE

CONTROLS

Control Options: 3-Wattage selectable, 3-CCT selectable, and optional motion sensor.

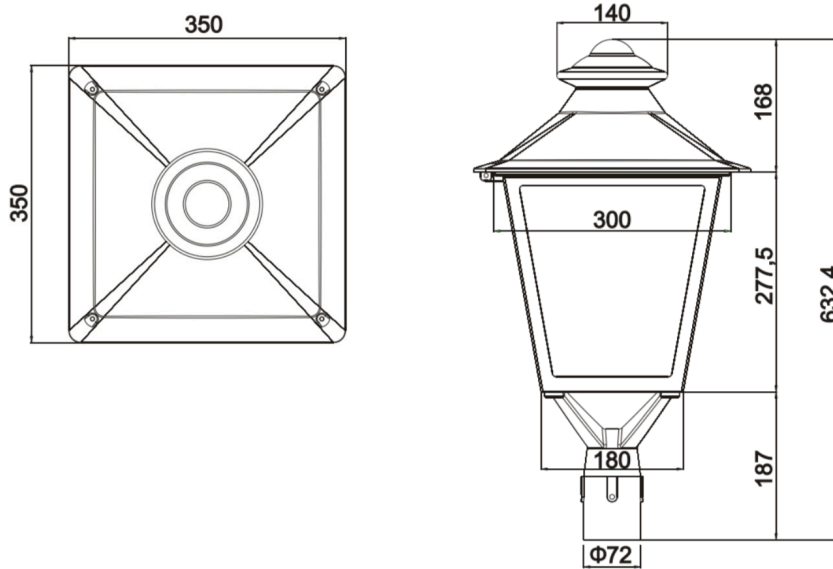


MOUNTING & OTHER FEATURES



OLD LONDON TOWN MULTI WATTAGE & CCT SELECTABLE POST TOP FIXTURE

DIMENSIONS



PHOTOMETRICS

