

Project Name:	Fixture Type:
Complete Catalog #:	Date:
Comments:	

EXPLOSION PROOF NIGHT OWL AREA LIGHT FIXTURE



The **Explosion Proof Night Owl Area Light Fixture** is a high-performance area light that is UL844-listed for a variety of hazardous locations. The sealed aluminum housing is both IP66 rated, and IK10 impact rated. It comes with EcoLite's 10 year or 50,000 hour non-prorated warranty.

FEATURES

- UL844 listed
 - Class I, Division 1, Groups C, D
 - Class I, Division 2, Groups A, B, C, D
 - Class II, Division 1, Groups E, F, G
 - Class II, Division 2, Groups F, G
 - Class III
- Marine marking UL1598A, ABS
- IP 66
- IK10

- 100-277VAC or 200-480VAC (for 20W, 40W, 60W), and 100-277VAC or 12-48DC (for 80W, 100W, 150W)
- Marine rated powder coat finish
- Dimming and battery back up functions available.
- Glass lens or glass with polycarbonate lens

APPLICATIONS

- Oil and Gas
- Mining
- Chemical
- Ocean, marine, and aerospace
- Metal treatment
- Food and alcohol
- Other high humidity, high dust, high temperature, and vapor locations



EXPLOSION PROOF NIGHT OWL AREA LIGHT FIXTURE

ORDERING INFORMATION

MODEL NO.	POWER	LUMENS	VOLTAGE	CRI	CCT	BEAM ANGLE (DEG)	MIN. ORDER	US STOCK	SIZE (INCH)
ECO-EX-20W-EYZDA	20W	2,800	100-277VAC or 200-480 VAC or 12-48VDC	80+	3000K-5000K	40°, 60°, 90°, 120°	2	N	13.94" x 11.28"
ECO-EX-40W-EYZDA	40W	5,600	100-277VAC or 200-480 VAC or 12-48VDC	80+	3000K-5000K	40°, 60°, 90°, 120°	2	N	13.94" x 11.28"
ECO-EX-60W-EYZDA	60W	8,400	100-277VAC or 200-480 VAC or 12-48VDC	80+	3000K-5000K	40°, 60°, 90°, 120°	2	N	13.94" x 11.28"
ECO-EX-80W-EYZDA	80W	11,200	100-277VAC or 200-480 VAC or 12-48VDC	80+	3000K-5000K	40°, 60°, 90°, 120°	2	N	13.94" x 11.28"
ECO-EX-100W-EYZDA	100W	14,000	100-277VAC or 200-480 VAC or 12-48VDC	80+	3000K-5000K	40°, 60°, 90°, 120°	2	Y	13.94" x 11.28"
ECO-EX-150W-EYZDA	150W	21,000	100-277VAC or 200-480 VAC or 12-48VDC	80+	3000K-5000K	40°, 60°, 90°, 120°	2	Y	13.94" x 11.28"

TECHNICAL SPECIFICATIONS

Optical Distributions	40°, 60°, 90°, 120°
CRI	80+
Efficacy	140 Lm/W
IP Rating	IP66
Input Voltage	100-277VAC or 200-480VAC or 12-48VDC
Impact Rating	IK10
Power Frequency	50-60 Hz
Certifications	UL844 Listed: Class I, Division 1, Groups C, D Class I, Division 2, Groups A, B, C, D Class II, Division 1, Groups E, F, G Class II, Division 2, Groups F, G Class III Marine Marking: 1598A, ABS
Housing Material	Die-cast Aluminum
Rated Life (L70)	50,000 hours
Warranty	10 Years non-prorated
Operating Temperature	-40°F to 149°F
Net Weight	33.5 lbs (flat glass)
Controls	Battery backup function available. Dimming available.

*Data is based upon tests performed in a controlled environment and representative performance. Actual performance can vary depending on operating conditions. Specifications are subject to change without notice. All specifications are nominal unless otherwise noted.

*IES files provided on request.

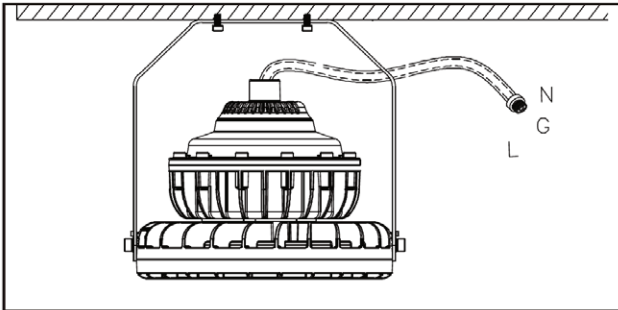
EXPLOSION PROOF NIGHT OWL AREA LIGHT FIXTURE

CONTROLS

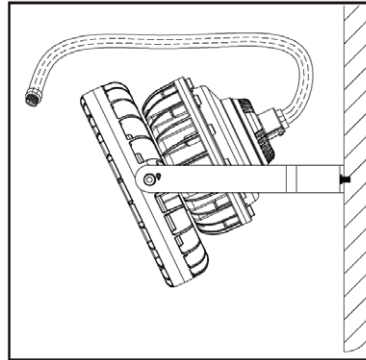
Control Options: Emergency battery backup for up to three hours option. Dimming option.

MOUNTING OPTIONS

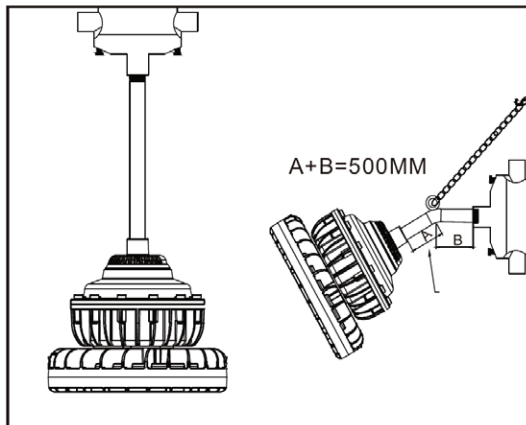
No. 1 Ceiling Mounting



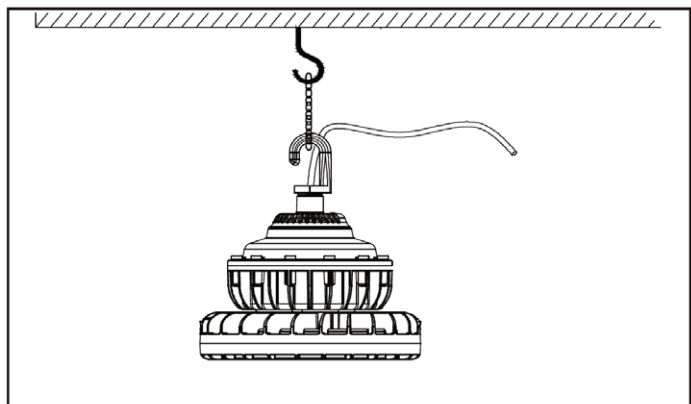
No. 2 Wall Mounting



No. 3 Pole Mounting



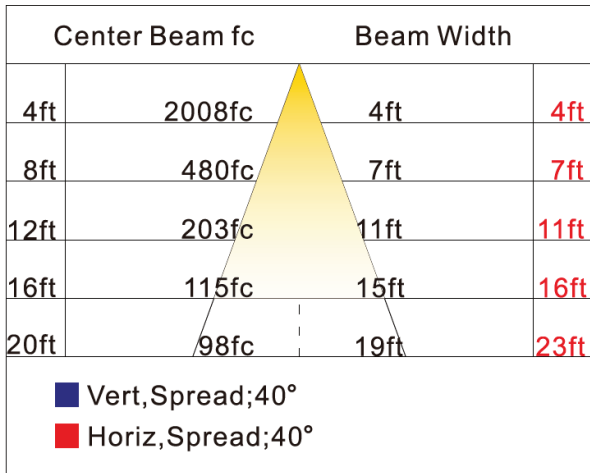
No. 4 Hook Pendant Mounting



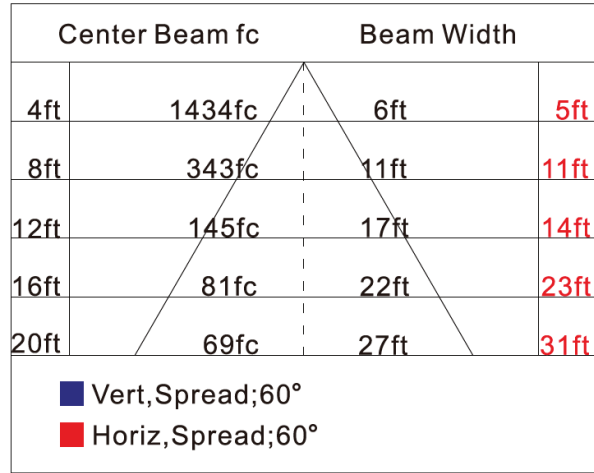
EXPLOSION PROOF NIGHT OWL AREA LIGHT FIXTURE

PHOTOMETRICS

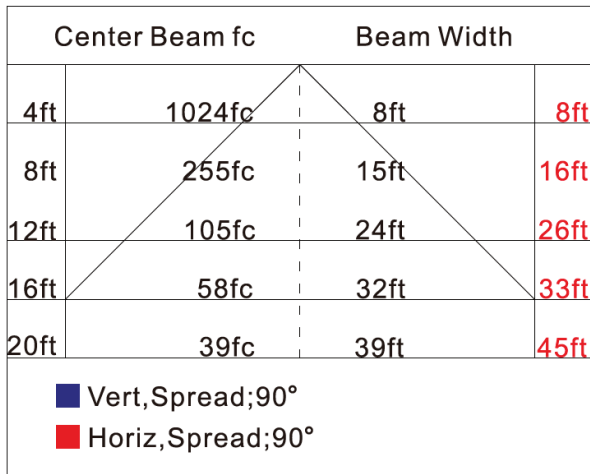
40D



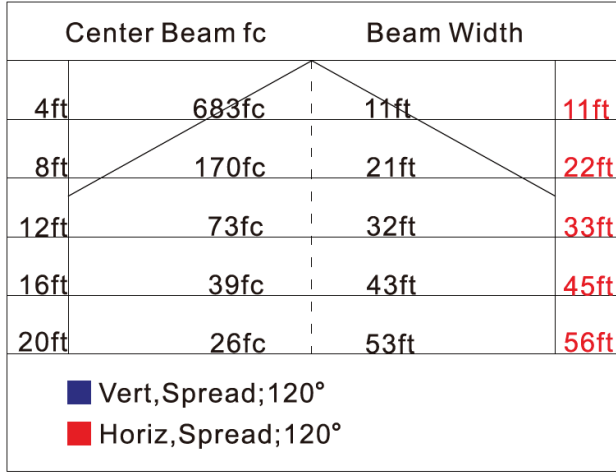
60D



90D



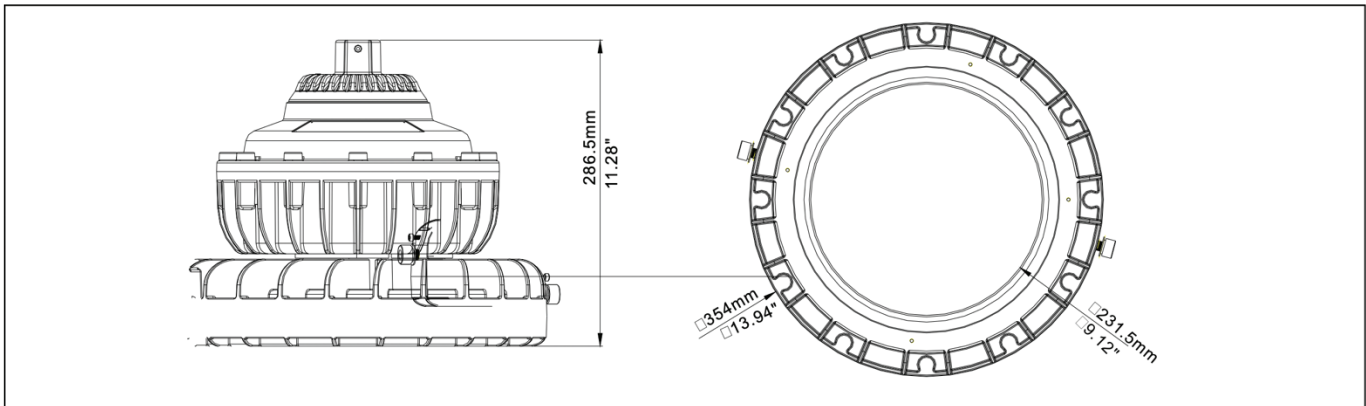
120D



EXPLOSION PROOF NIGHT HAWK FLOOD FIXTURE

DIMENSIONS

Unit: mm[inch]



ACCESSORIES

Junction Box



Bracket



Straight Pipe



Chain



Metal Conduit



Bended Pipe



Hook

