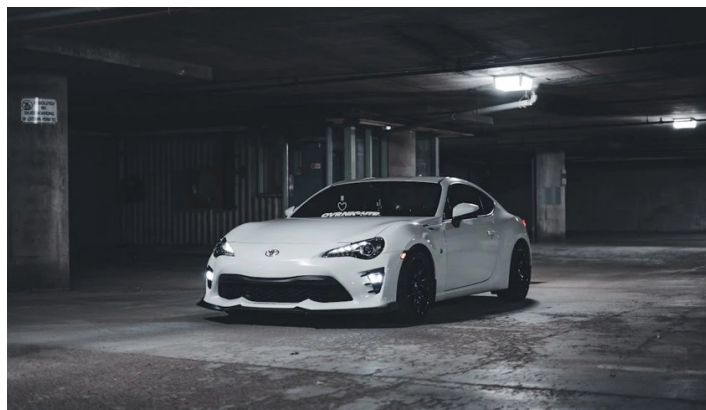


Project Name:	Fixture Type:
Complete Catalog #:	Date:
Comments:	

## CONSTELLATION STAR MULTI WATTAGE & CCT SELECTABLE CANOPY FIXTURE



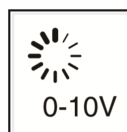
The **Constellation Star Multi Wattage & CCT Selectable Canopy Fixture** is a cost-effective, energy-efficient LED canopy for surface-mount applications in commercial buildings, retail and educational facilities. The thin and lightweight design and excellent heat dissipation of the housing extends its life. A precision-engineered optical lens reduces glare, improves optical performance, and provides comfortable illumination. This canopy is cULus listed, DLC Premium listed, and IP65 rated. This canopy comes with an external quick-mount plate for standard J-BOX mounting, and is also compatible with 3/4" pendant fixtures, with 1/2" knock out holes reserved on four sides, suitable for surface conduit wiring installation. The canopy is offered in three sets of four lumen packages (100%, 80%, 60%, 40%); and three CCTs (3000K, 4000K, 5000K).

### FEATURES

- cULus wet location
- DLC Premium
- Up to 172 lm/W
- IP65
- 120-277VAC
- Up to 12,600 lumens
- 0-10V dimming from 10%-100%

### APPLICATIONS

- Gas station
- Service station
- Underground parking lot
- Warehouse
- Garage
- Factory floor



## ORDERING INFORMATION

PART NUMBER	SELECTABLE WATTAGE	SELECTABLE LUMENS @ 4000K	VOLTAGE	SELECTABLE CCT	MIN. ORDER QUANTITY	US STOCK
ECO-SEM-MCP08-MW(40/32/24/16) MCCT(30/40/50K)	40W/32W/24W/16W	6,200/5,100/3,900/2,700	120-277VAC	3000K/4000K/5000K	2	Yes
ECO-SEM-MCP08-MW(60/48/36/24) MCCT(30/40/50K)	60W/48W/36W/24W	9,400/7,900/6,100/4,100	120-277VAC	3000K/4000K/5000K	2	Yes
ECO-SEM-MCP08-MW(80/64/48/32) MCCT(30/40/50K)	80W/64W/48W/32W	12,600/10,500/8,100/5,500	120-277VAC	3000K/4000K/5000K	2	Yes

## TECHNICAL SPECIFICATIONS

Optical Distributions	Parking garage photometry
CRI	70+
Efficacy	Up to 172 Lm/W
IP Rating	IP65
Input Voltage	120-277 VAC
Power Frequency	50-60 Hz
Power Factor	>0.90
THD	<20%
Certifications	cULus, DLC Premium, FCC
Housing Material	Die-cast Aluminum with powder coat
Rated Life (L70)	>50,000 Hours
Warranty	10 Years, 50,000 Hours Non-Prorated
Operating Temperature	-40°F to 104°F
Controls	4-Wattage selectable, 3-CCT selectable, 0-10V dimming, Optional PIR sensor, Optional Emergency battery.

\*Data is based upon tests performed in a controlled environment and representative performance. Actual performance can vary depending on operating conditions. Specifications are subject to change without notice. All specifications are nominal unless otherwise noted.

\*IES files provided on request.

# CONSTELLATION STAR MULTI WATTAGE & CCT SELECTABLE CANOPY FIXTURE

## CONTROLS

Control Options: 4-Wattage selectable, 3-CCT selectable, 0-10V dimming, Optional PIR sensor, Optional Emergency battery.

**POWER**

**CCT AND WATTAGE SELECTABLE**  
This fixture has the function of adjusting the lumens output and color temperature on-site.

**WATTAGE SELECT**

40% 60% 80% 100%

Each model supports 4 positions wattage regulation:  
100%, 80%, 60%, 40%

**CCT SELECT**

3000K 4000K 5000K

Offer three CCT adjustable (3000K, 4000K, 5000K).

<p><b>Emergency Battery Backup (Optional)</b> Description: 8W 900lm 90min</p>	<p><b>Plug-and-Play PIR Sensor, 10-15VDC</b></p> <p>PIR sensor: MHANT12VPH02 Description: Preset for 5min hold time, 30 min standby time at 30% dim. daylight disabled.</p> <p>Bluetooth PIR sensor: MHANT12VPHB02 Description: Sensor and Fixture controller for HAISEN system</p>

### Battery backup option

The optional built-in emergency battery back-up provides 8W, 90-minute emergency lighting while maintaining product integrity and aesthetics.



### Plug-and-Play Sensor (optional)

Sensor allows for security and energy saving.

**1/2 inch knock hole**  
With 1/2" knock-out holes reserved on four sides, suitable for surface conduit wiring installation.

**Photometry**  
Parking garage photometry with a low glare, comfortable lighting effect.

**Install in 3-Seconds**

# CONSTELLATION STAR MULTI WATTAGE & CCT SELECTABLE CANOPY FIXTURE

## MOUNTING OPTIONS

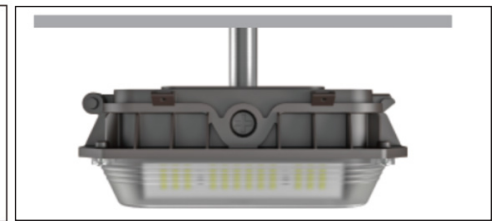
### Mounting 1

Surface Mounted with J-Box

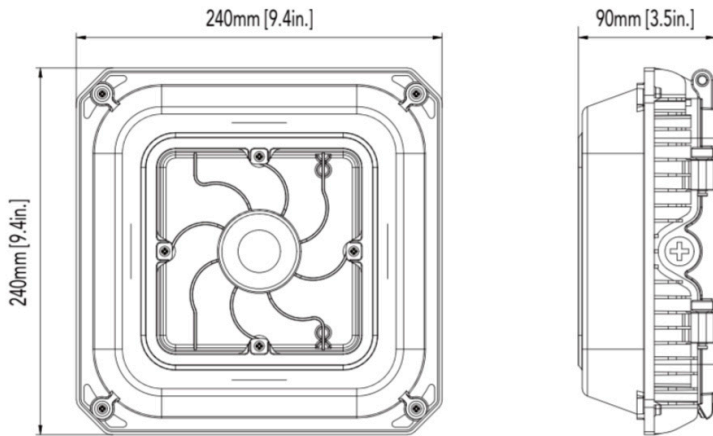


### Mounting 2

Conduit Pendant Mount



## DIMENSIONS



40W								
SWITCH SETTING	SYSTEM WATTS	CRI	3000K		4000K		5000K	
			LUMENS	LPW	LUMENS	LPW	LUMENS	LPW
100%	40W	70	5700 lm	143 lmNv	6300 lm	158 lmNv	6000 lm	150 lmNv
80%	32W	70	4800 lm	149 lmNv	5200 lm	164 lm/W	5000 lm	156 lmNv
60%	24W	70	3700 lm	153 lmNv	4000 lm	168 lmNv	3800 lm	160 lmNv
40%	16W	70	2500 lm	157 lmNv	2800 lm	172 lm/W	2600 lm	164 lmNv

60W								
SWITCH SETTING	SYSTEM WATTS	CRI	3000K		4000K		5000K	
			LUMENS	LPW	LUMENS	LPW	LUMENS	LPW
100%	60W	70	8600 lm	143 lmNv	9400 lm	158 lmNv	9000 lm	150 lmNv
80%	48W	70	7200 lm	149 lmNv	7900 lm	164 lm/W	7500 lm	156 lmNv
60%	36W	70	5600 lm	153 lmNv	6100 lm	168 lmNv	5800 lm	160 lmNv
40%	24W	70	3800 lm	157 lmNv	4100 lm	172 lm/W	3900 lm	164 lmNv

80W								
SWITCH SETTING	SYSTEM WATTS	CRI	3000K		4000K		5000K	
			LUMENS	LPW	LUMENS	LPW	LUMENS	LPW
100%	80W	70	11500 lm	143 lm/W	12600 lm	158 lm/W	12000 lm	150 lm/W
80%	64W	70	9600 lm	149 lm/W	10500 lm	164 lm/W	10000 lm	156 lm/W
60%	48W	70	7400 lm	153 lm/W	8100 lm	168 lm/W	7700 lm	160 lm/W
40%	32W	70	5000 lm	157 lm/W	5500 lm	172 lm/W	5200 lm	164 lm/W