

Project Name:	Fixture Type:
Complete Catalog #:	Date:
Comments:	

APOLLO G3 SPORTS LIGHT



The Apollo G3 Sports Light is the ideal LED solution for professional outdoor athletic sites, with features designed for municipal, high school, collegiate and semi-professional outdoor sports venues. A large variety of mounting hardware options make it easy to install and maintain, reducing labor costs. Multiple beam angles are available, including narrow, wide and medium. These state-of-the-art luminaires boast IP66 rating, 3G vibration rating, up to 3000 hour salt spray testing, efficacy up to 150 lm/W, and flicker free to less than 1%. The fixture is available up to 1800W and 252,000 lumens, and is offered with integral or remote driver operation, and a laser aiming device. The luminaires are dark-sky friendly with full cut off.

FEATURES

- LED Type - Osram Opto
- System Efficiency - up to 150 lm/W
- IP66 Rated
- 3G Vibration Rated
- Up to 3000 hour salt spray testing
- Flicker Free < 1%
- 0-10V / DALI / WIFI / Zigbee / DMX
- Laser aiming device

- Input Voltage - 100-277VAC or 200-480VAC options
- Rebate Eligible - Yes, DLC Listed, Contact for details
- Warranty - Standard 10 Years or 50,000 Hours Non-Prorated Fixture Warranty.
- TLCI>90, Broadcast Ready for >1000fps, HD | 4K | 8K, enables TV broadcasters to film super-slow-motion replays with a flicker factor <1%

APPLICATIONS

- Indoor Stadium
- Outdoor Stadium
- Ports
- Airport Apron Lighting
- Large Area Illumination
- Tower Lighting
- Sports Fields, Arenas, and Facilities



ORDERING INFORMATION

PART NUMBER	WATTAGE	LUMENS	VOLTAGE	CRI	CCT	MIN ORDER QTY	US STOCK
ECO-OKIA-AFL09-300W-G3	300W	48,000	200-480V	70/80/90 Optional	2200K/3000K/4000K/5000K/5700K	1	YES
ECO-OKIA-AFL09-400W-G3	400W	60,000	200-480V	70/80/90 Optional	2200K/3000K/4000K/5000K/5700K	1	YES
ECO-OKIA-AFL09-500W-G3	500W	75,000	200-480V	70/80/90 Optional	2200K/3000K/4000K/5000K/5700K	1	YES
ECO-OKIA-AFL09-600W-G3	600W	90,000	200-480V	70/80/90 Optional	2200K/3000K/4000K/5000K/5700K	1	YES
ECO-OKIA-AFL09-750W-G3	750W	112,500	200-480V	70/80/90 Optional	2200K/3000K/4000K/5000K/5700K	1	YES
ECO-OKIA-AFL09-1000W-G3	1000W	150,000	200-480V	70/80/90 Optional	2200K/3000K/4000K/5000K/5700K	1	YES
ECO-OKIA-AFL09-1200W-G3	1200W	180,000	200-480V	70/80/90 Optional	2200K/3000K/4000K/5000K/5700K	1	YES
ECO-OKIA-AFL09-1800W-G3	1800W	252,000	200-480V	70/80/90 Optional	2200K/3000K/4000K/5000K/5700K	1	YES

TECHNICAL SPECIFICATIONS

LED Type	Osram C8 +C9 Opto Chip Set
Driver Type	Inventronics / Sosen/ Meanwell Driver Optional
Optical Distributions	NB/MB/WB/12°/15°/25°/ 50°/20°x40°/20°x105°
CRI	70/80/90 Optional
Efficacy	Up to 150 Lm/W
IP Rating	IP66 Rated
Input Voltage	100-277VAC or 200-480VAC(Standard)
Power Frequency	50-60 Hz
Power Efficiency	>93%
Power Factor	>0.9 at Max Load
THD	<15%
Flicker Factor	<1%
Certifications	UL, DLC, FCC
Impact Rating	IK10
Fixture Material	Finishing powder coated AL1070 pure aluminum for marine salt protection and swimming pool applications.
Rated Life (L70)	>100,000 Hours
Warranty	Standard 10 Years or 50,000 Hours Non-Prorated Fixture Warranty. / Optional 25 Year Warranty Optional.
Operating Temperature	-40° - 122°F
Luminaire Gross Weight	500W: 33.1 lbs / 750W: 54.1 lbs / 1200W: 54.1 lbs / 1800W: 81.8W
Optional Mounting	Yoke / Knuckle Assembly / Slip Fitter
Input Surge Protection	Standard 20 kV SPD Included. / 40 kV SPD Optional.

*Data is based upon tests performed in a controlled environment and representative performance.

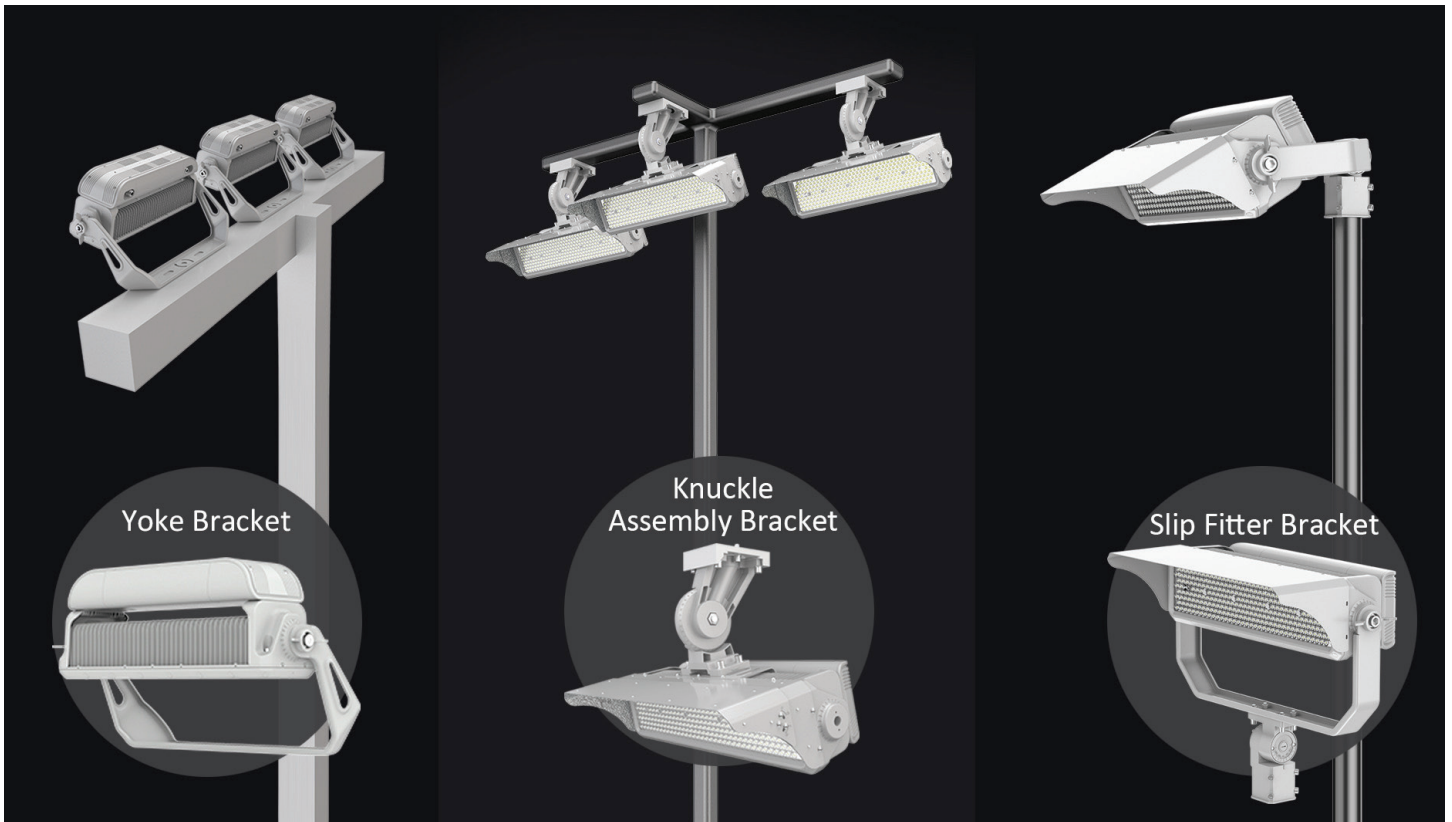
Actual performance can vary depending on operating conditions.

Specifications are subject to change without notice. All specifications are nominal unless otherwise noted.

*IES files provided on request.

APOLLO G3 SPORTS LIGHT

MOUNTING ACCESSORIES - ORDER SEPARATELY



Yoke Bracket

Knuckle
Assembly Bracket

Slip Fitter Bracket

CONTROLS

Control Options: 0-10V / DALI / WIFI / Zigbee / DMX

Scalable control solution enables customization with real-time overrides. Supports Art-Net, DMX RDM, and DALI protocols.

WIND RESISTANCE

Frontal EPA (Wind Surface):

500W: 0.14 m² / 1.55ft²

750W/1200W: 0.19m² / 2.15ft²

1800W: 0.38m² / 4.13ft²

Side EPA (Wind Surface):

500W: 0.08m² / 0.81ft²

750W/1200W: 0.08m² / 0.89ft²

1800W: 0.15m² / 1.56ft²

*Weight may vary depending on mounting bracket, visor, and driver box selection.

*EPA may vary depending on the aiming angle and the visor.

APOLLO G3 SPORTS LIGHT

ACCESSORIES



Rotatable Laser Pointer



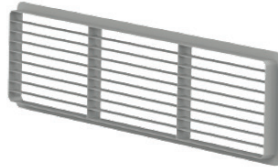
Rotatable Visor



Glass



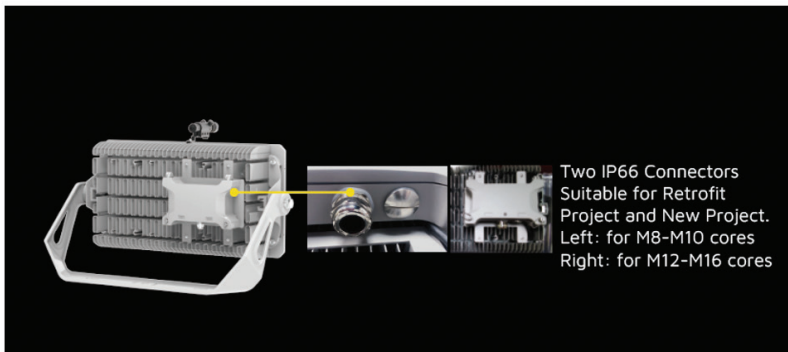
Visor



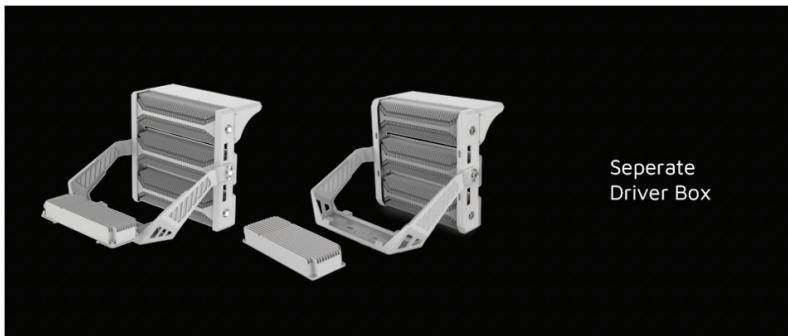
Grill



Quick Access of Inserting Intelligent Control Modules



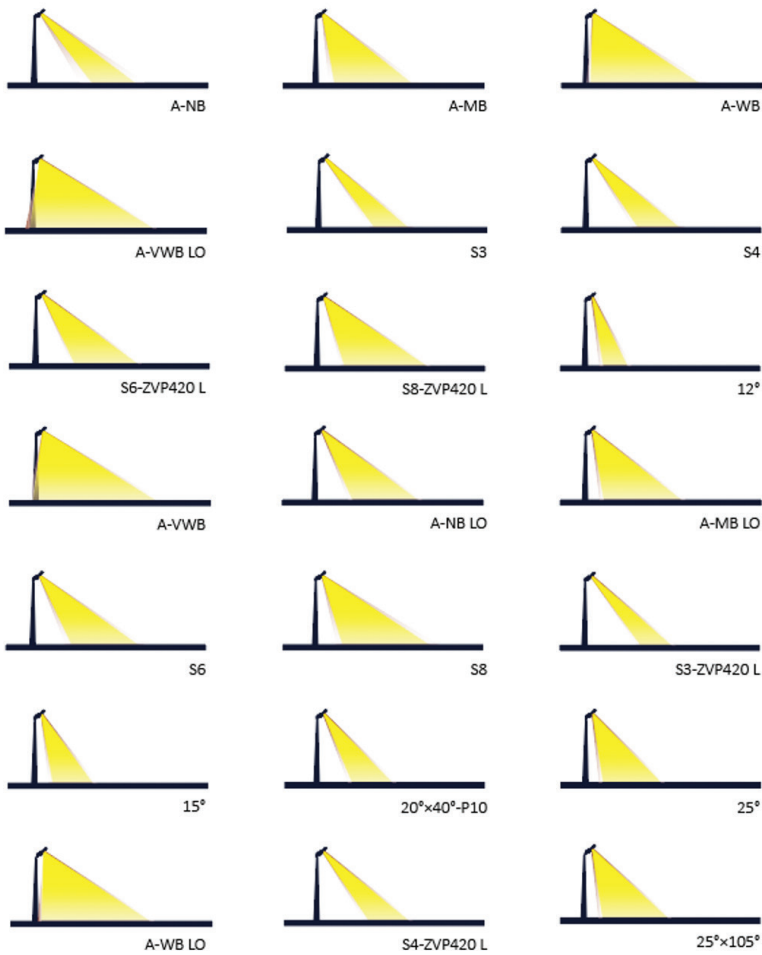
Two IP66 Connectors Suitable for Retrofit Project and New Project. Left: for M8-M10 cores Right: for M12-M16 cores



Seperate Driver Box

APOLLO G3 SPORTS LIGHT

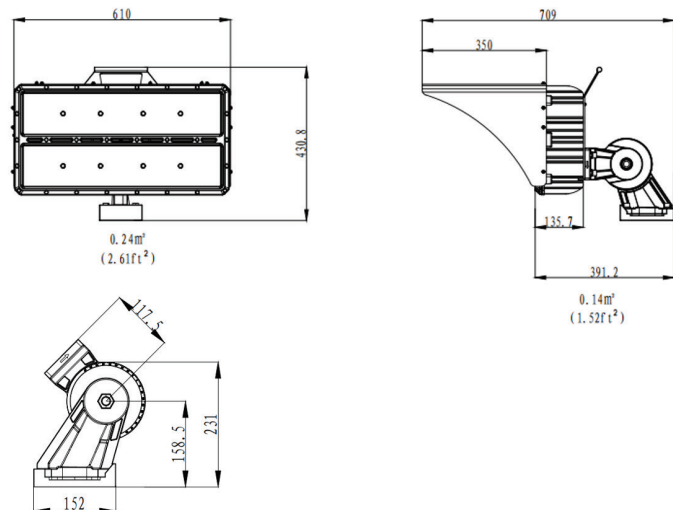
PHOTOMETRICS



DIMENSIONS

Knuckle Assembly Bracket (without visor)

Frontal EPA (Wind Surface): 0.24m² (2.58ft²)
 Net Weight(without driver) : 17kgs (37.47lbs)



Yoke Bracket(without visor)

Frontal EPA (Wind Surface): 0.288m² (3.10ft²)
 Net Weight(without driver) : 19.5kgs (42.99lbs)

