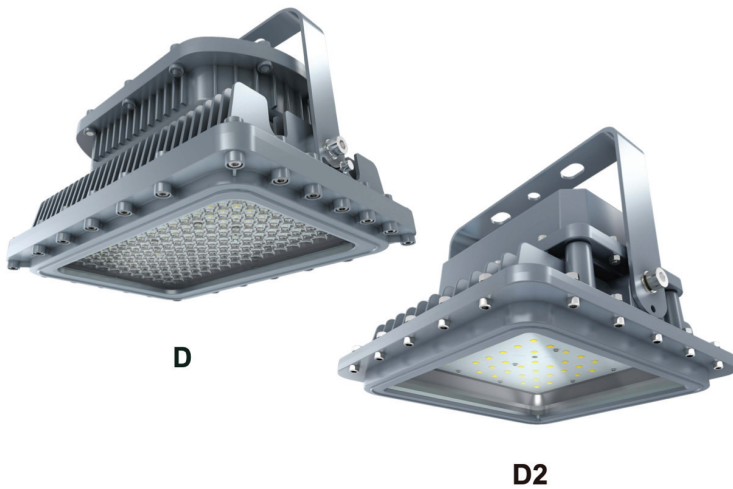


Project Name:	Fixture Type:
Complete Catalog #:	Date:
Comments:	

EXPLOSION PROOF NIGHT HAWK FLOOD FIXTURE



The **Explosion Proof Night Hawk Flood Fixture** delivers premium performance for hazardous locations. Ideal for petroleum and other heavy industries, this fixture delivers 140 lumens per watt and is available in a wide range of electrical code requirements for hazardous locations, with a 10-year non-prorated warranty. It is also IP66 rated, and IK10 impact rated.

FEATURES

- Marking UL844
 - Class I, Division 1, Groups C, D
 - Class I, Division 2, Groups A, B, C, D
 - Class II, Division 1, Groups E, F, G
 - Class II, Division 2, Groups F, G
 - Class III
- Marine Marking: UL1598A, ABS
- IP 66
- IK 10
- 100-277VAC
- Battery backup function and dimming available.
- Marine rating powder-coated finish.
- 10 year non-prorated warranty

APPLICATIONS

- Oil and gas industry
- Mining
- Chemical
- Ocean, marine, and aerospace
- Metal treatment
- Food and alcohol industry
- Other high humidity, high dust, high temperature, and vapor locations



EXPLOSION PROOF NIGHT HAWK FLOOD FIXTURE

ORDERING INFORMATION

MODEL NO.	POWER	LUMENS	VOLTAGE	CRI	CCT	BEAM ANGLE (DEG)	MIN. ORDER	US STOCK	SIZE (INCH)
ECO-EX-20W-D2YZDA	20W	2,800	100-277VAC or 200-480VAC or 12-48VDC	80+	3000K-5000K	40°, 60°, 90°, 120°	2	N	11.6" x 11.6" x 9.57"
ECO-EX-40W-D2YZDA	40W	5,600	100-277VAC or 200-480VAC or 12-48VDC	80+	3000K-5000K	40°, 60°, 90°, 120°	2	N	11.6" x 11.6" x 9.57"
ECO-EX-60W-D2YZDA	60W	8,400	100-277VAC or 200-480VAC or 12-48VDC	80+	3000K-5000K	40°, 60°, 90°, 120°	2	N	11.6" x 11.6" x 9.57"
ECO-EX-80W-D2YZDA	80W	11,200	100-277VAC or 200-480VAC or 12-48VDC	80+	3000K-5000K	40°, 60°, 90°, 120°	2	N	11.6" x 11.6" x 9.57"
ECO-EX-100W-DYZDA	100W	14,000	100-277VAC or 200-480VAC or 12-48VDC	80+	3000K-5000K	40°, 60°, 90°, 120°	2	Y	15.7" x 11.2" x 9.96"
ECO-EX-150W-DYZDA	150W	21,000	100-277VAC or 200-480VAC or 12-48VDC	80+	3000K-5000K	40°, 60°, 90°, 120°	2	Y	15.7" x 11.2" x 9.96"
ECO-EX-200W-DYZDA	200W	28,000	100-277VAC or 200-480VAC or 12-48VDC	80+	3000K-5000K	40°, 60°, 90°, 120°	2	N	15.7" x 11.2" x 9.96"

TECHNICAL SPECIFICATIONS

Optical Distributions	40°, 60°, 90°, 120°
CRI	80+
Efficacy	140 Lm/W
IP Rating	IP66
Input Voltage	100-277VAC or 200-480VAC or 12-48VDC
Power Frequency	50-60 Hz
Certifications	Marking UL844 Class I, Division 1, Groups C, D Class I, Division 2, Groups A, B, C, D Class II, Division 1, Groups E, F, G Class II, Division 2, Groups F, G Class III Marine Marking: 1598A, ABS
Impact Rating	IK10
Housing Material	Aluminum
Rated Life (L70)	50,000 hours
Warranty	10 Years
Operating Temperature	-40°F to 131°F
Net Weight	D 39.46 lbs / D2 15.43 lbs
Controls	Battery backup function and dimming available

*Data is based upon tests performed in a controlled environment and representative performance. Actual performance can vary depending on operating conditions. Specifications are subject to change without notice. All specifications are nominal unless otherwise noted.

*IES files provided on request.

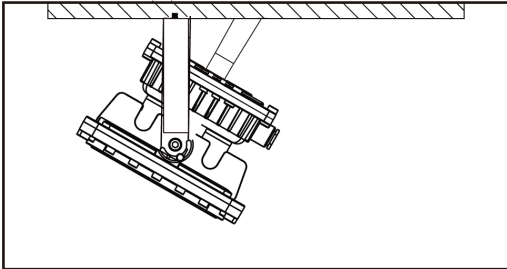
EXPLOSION PROOF NIGHT HAWK FLOOD FIXTURE

CONTROLS

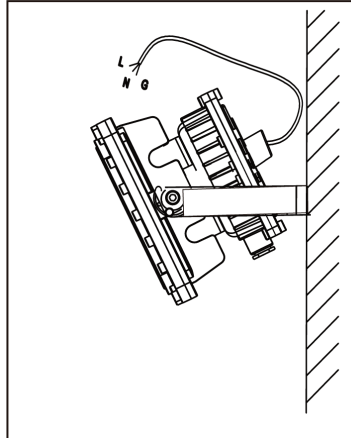
Emergency battery backup option, for up to three hours. Dimming option.

MOUNTING OPTIONS

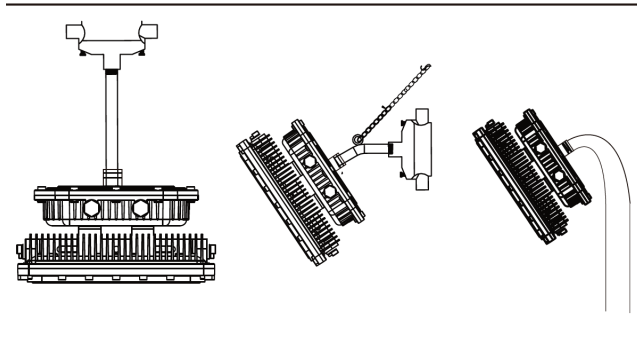
No. 1 Ceiling Mounting



No. 2 Wall Mounting



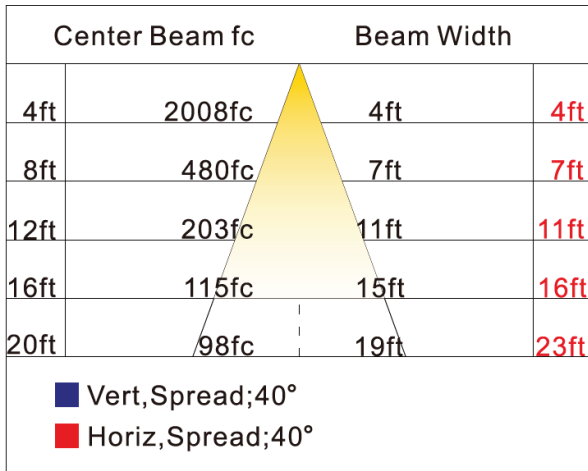
No. 3 Pole Mounting



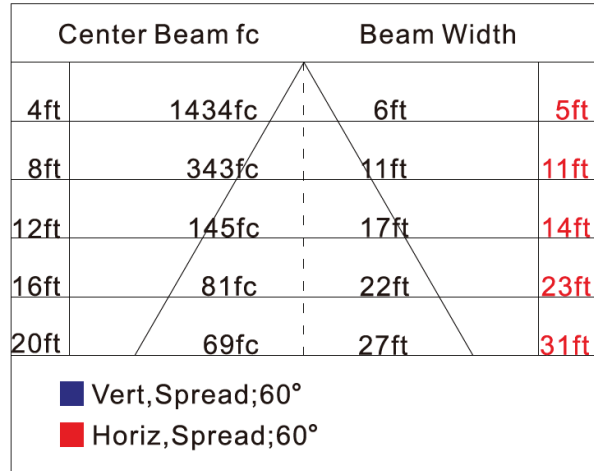
EXPLOSION PROOF NIGHT HAWK FLOOD FIXTURE

PHOTOMETRICS

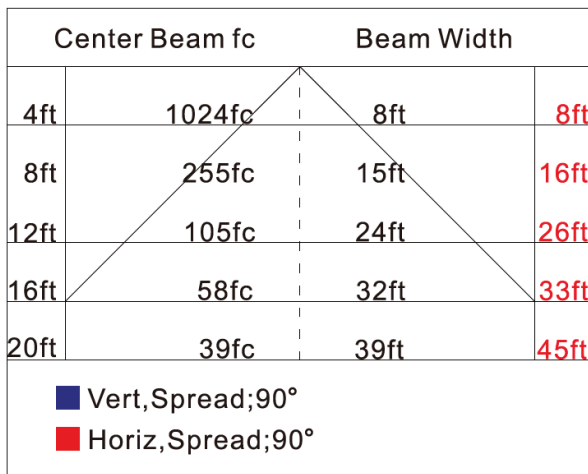
40D



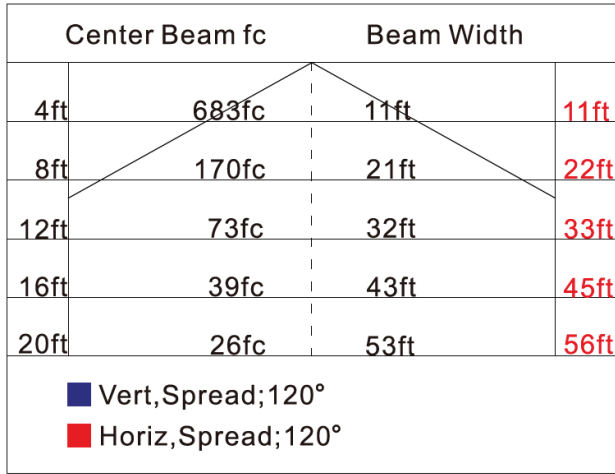
60D



90D



120D



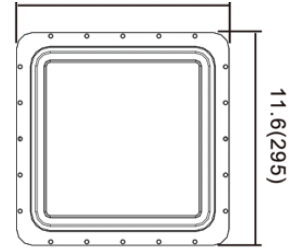
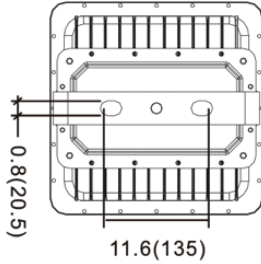
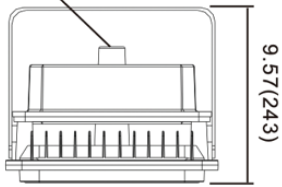
EXPLOSION PROOF NIGHT HAWK FLOOD FIXTURE

DIMENSIONS

Unit: mm[inch]

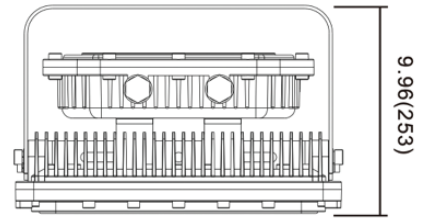
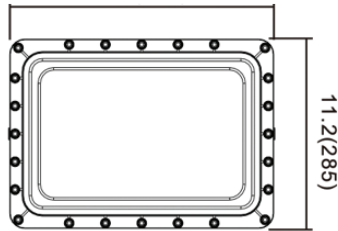
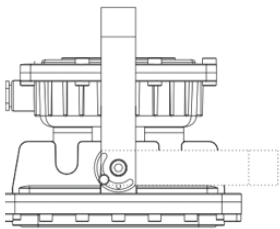
D2 Series

NPT3/4 or M25



This structure type with bracket, flat glass and optics lens to generate 40°,60°,90° and 120° light distribution.

D Series



This structure type with bracket, flat glass and optics lens to generate 40°,60°,90° and 120° light distribution.

ACCESSORIES

Junction Box



Bracket



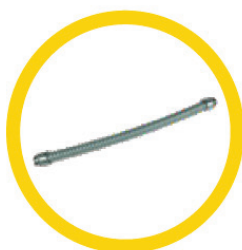
Straight Pipe



Chain



Metal Conduit



Bended Pipe

