

Project Name:	Fixture Type:
Complete Catalog #:	Date:
Comments:	

## ORION 2" INTERCHANGEABLE SELECTABLE DOWNLIGHT



The Orion 2" Interchangeable Selectable Downlight are remarkably versatile commercial-grade, indoor downlights. Interchangeable options include reflectors, baffles, and trims, including: square, round, slot aperture, wall wash, pinhole, square hole, and shower trim. 24°/38°/60° beam angle lenses enable further customization. The downlights are 5-CCT selectable: 2700K, 3000K, 3500K, 4000K, and 5000K. Additional premium features include: 90+ CRI, ICAT, wet location listed, no junction box needed, dimmable to 10%, ENERGY STAR certified, and JA8 listed CA Title 24.

### FEATURES

- Tiny 2" diameter for a high-end contemporary look.
- Interchangeable reflectors, baffles, and trims.
- 24°/38°/60° beam angle lenses.
- ICAT and wet location listed.
- Fast installation, no housing required.
- Dimmable to 10%.
- ENERGY STAR, JA8 Title 24, and cETLus listed.

### APPLICATIONS

- Offices
- Retail and Malls
- Schools
- Hospitality
- Healthcare
- Reception areas
- Conference rooms
- Hallways



# ORION 2" INTERCHANGEABLE SELECTABLE DOWNLIGHT

## ORDERING INFORMATION

PART NUMBER	WATTAGE	LUMENS	VOLTAGE	DIAMETER	CCT	MIN ORDER QTY	US STOCK
ECO-ADI-ORION-S8W-3-IDL	8W	600	120 VAC	2.0"	2700/3000K/3500K/4000K/5000K	2	YES
ECO-ADI-ORION-S15W-3-IDL	15W	1000	120 VAC	2.0"	2700/3000K/3500K/4000K/5000K	2	YES

## TECHNICAL SPECIFICATIONS

Beam Angle	24°/38°/60°
CRI	90+
Efficacy	Up to 75 lpW
Environment	Wet location listed, ICAT
Input Voltage	120 VAC
Power Frequency	60 Hz
Certifications	ENERGY STAR, JA8 Title 24, cETLus, FCC
Power Factor	>0.9
Rated Life (L70)	50,000 hours
Warranty	10 Years or 50,000 Hours Non-Prorated
Operating Temperature	-4°F – 104°F
Luminaire Gross Weight	9.76kg for 8W, 12.15kg for 15W
Dimmable	Down to 10%, forward-phase , reverse-phase, TRIAC, & ELV dimmers

\*Data is based upon tests performed in a controlled environment and representative performance. Actual performance can vary depending on operating conditions. Specifications are subject to change without notice. All specifications are nominal unless otherwise noted.

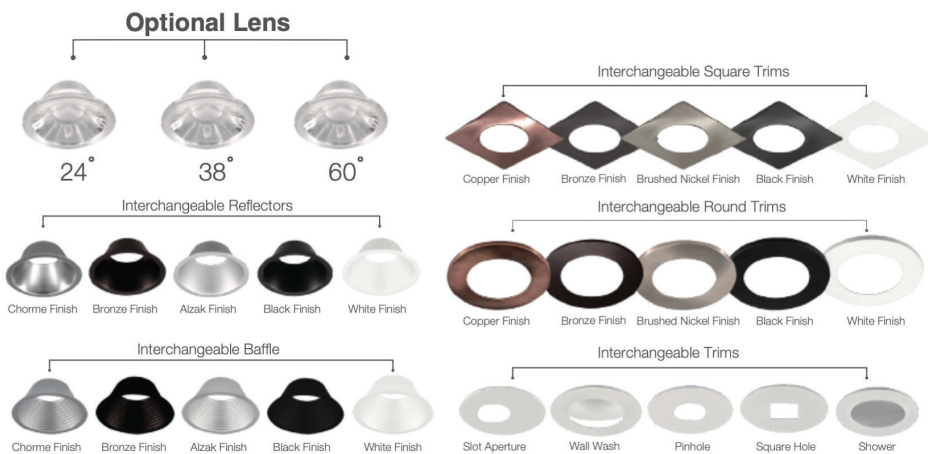
\*IES files provided on request.

## CONTROLS

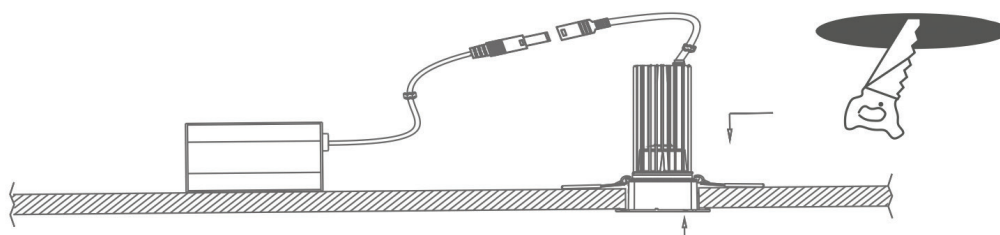
Control Options: Dimmable down to 10%, forward-phase, reverse-phase, TRIAC, & ELV dimmers. 5-CCT selectable: 2700K, 3000K, 3500K, 4000K, 5000K.

# ORION 2" INTERCHANGEABLE SELECTABLE DOWNLIGHT

## INTERCHANGEABLE LENSES, REFLECTORS, BAFFLES, AND TRIMS



## INSTALLATION

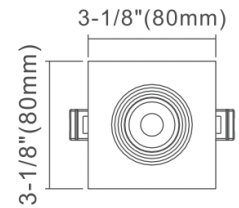
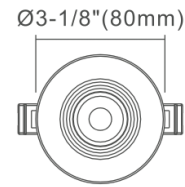
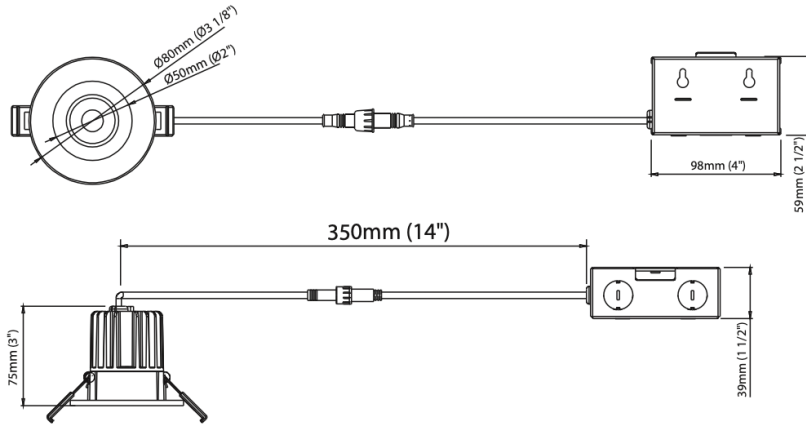


**Cut Hole size  
Ø2-7/8" (72mm)**

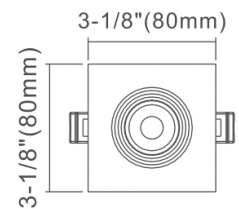
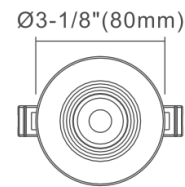
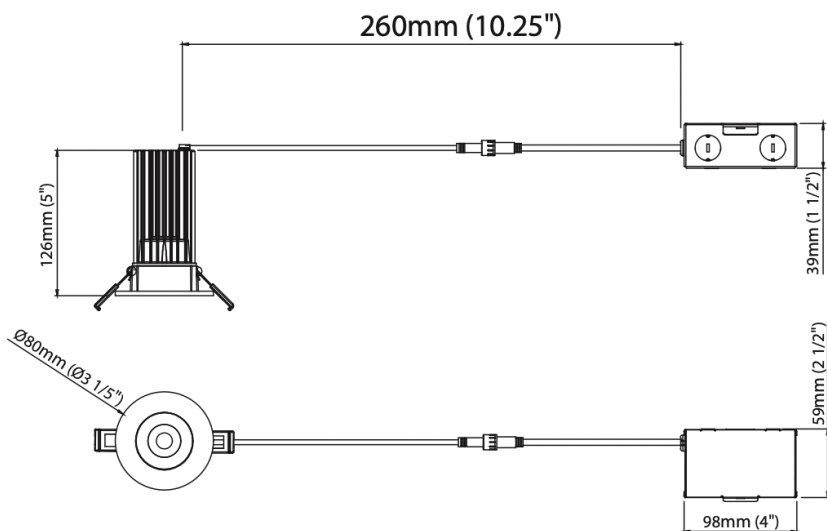
# ORION 2" INTERCHANGEABLE SELECTABLE DOWNLIGHT

## DIMENSIONS

### LED-2-S8W3-5CCTYY(-SQ)



### LED-2-S15W3-5CCTYY(-SQ)



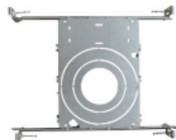
## ACCESSORIES

### Mounting Plates



#### MP3

The MP3 is a 3" new construction pre-mounting plate opening  $\varnothing 2-7/8"$  (72mm)



#### MP-UNV-23354

The MP-UNV-23354 is a 2<sup>3/8</sup> x 3.5<sup>3/4</sup>" new construction pre-mounting plate opening  $\varnothing 2-1/8"$  (54mm),  $\varnothing 2-7/8"$  (72mm),  $\varnothing 3-3/4"$  (95mm),  $\varnothing 5-1/4"$  (132mm)

### Flexible Connector



#### FLEX-4/ 6/ 10/ 20

4ft/ 6ft/ 10ft/ 20ft flexible connector