

Project Name:	Fixture Type:
Complete Catalog #:	Date:
Comments:	

## 6"–10" WATTAGE & CCT SELECTABLE DOWNLIGHTS



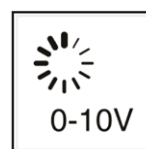
The **6"–10" Wattage & CCT Selectable Downlights** are 3-power and 5-CCT selectable, creating 15-models-in-1, to dramatically reduce inventory for distributors and contractors. These commercial downlights can replace legacy CFL, HID, and incandescent downlights. They are 0-10V dimmable down to 10%. The aluminum housing has snap clips, and the integrated trim with high transmission PC lens produces uniform, low-glare light, with a 100 degree beam angle. Product certifications include cETLus, and ENERGY STAR.

### FEATURES

- cETLus Listed
- ENERGY STAR
- 90+ CRI
- 120-277VAC
- 3-wattage and 5-CCT Selectable, 15-models-in-1
- Comfortable diffused light with no dark spots
- 0-10V dimmable to 10%
- Aluminum housing, integrated trim with snap clips
- High transmission PC lens, with 100° beam angle
- 10 year or 50,000 hour non-prorated warranty

### APPLICATIONS

- Offices
- Retail
- Restaurants
- Hotels
- Hospitals
- Schools



# 6"–10" WATTAGE & CCT SELECTABLE DOWNLIGHTS

## ORDERING INFORMATION

MODEL NUMBER	DIAMETER (INCHES)	POWER	LUMENS	VOLTAGE	CRI	CCT	BEAM ANGLE (DEG)	MIN. ORDER QTY	US STOCK
ECO-6C-MW12W/17W/22W(27/30/35/40/50K)	6"	12W 17W 22W	960 1360 1760	120-277 VAC	90+	2700/3000/ 3500/4000/5000K	100°	6	Y
ECO-8C-MW17W/24W/30W(27/30/35/40/50K)	8"	17W 24W 30W	1360 1920 2400	120-277 VAC	90+	2700/3000/ 3500/4000/5000K	100°	6	Y
ECO-10C-MW22W/30W/38W(27/30/35/40/50K)	10"	22W 30W 38W	1760 2400 3040	120-277 VAC	90+	2700/3000/ 3500/4000/5000K	100°	6	Y

## TECHNICAL SPECIFICATIONS

Beam Angle	100°
CRI	90+
Efficacy	80 lm/W
Input Voltage	120-277 VAC
Power Frequency	50-60 Hz
Certifications	cETLus Listed ENERGY STAR FCC Certified
Housing Material	Aluminum with PC lens
Warranty	10 Years or 50,000 hours non-prorated
Operating Temperature	-4°F to 113°F
Controls	3-Wattage Selectable, 5-CCT Selectable, 0-10V Dimmable, optional emergency battery backup

\*Data is based upon tests performed in a controlled environment and representative performance. Actual performance can vary depending on operating conditions. Specifications are subject to change without notice. All specifications are nominal unless otherwise noted.

\*IES files provided on request.

## MOUNTING FEATURES

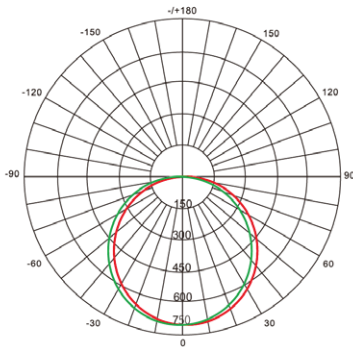
Flash mounting with clips can accommodate different hole opening sizes for easy installation. Pre-wired with poke-in connectors for easy installation. Safety chain for secure installation onto existing ceilings.

## CONTROLS

3-Wattage Selectable, 5-CCT Selectable, 0-10V Dimmable, optional emergency battery backup.

# 6"-10" WATTAGE & CCT SELECTABLE DOWNLIGHTS

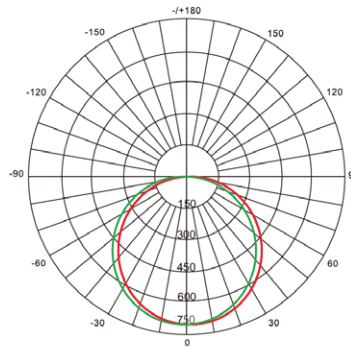
## PHOTOMETRICS



AVERAGE BEAM ANGLE(50%): 120°

UNIT:CD  
 Test Number:LS-6CMCT22LR05  
 Lumens:960/LM1360LM/1760LM  
 Test Number:12W/17W/22W  
 Test Number:5000K  
 - C0/180,110.9  
 - C30/210,110.5  
 - C60/240,109.3  
 - C90/270,109.1

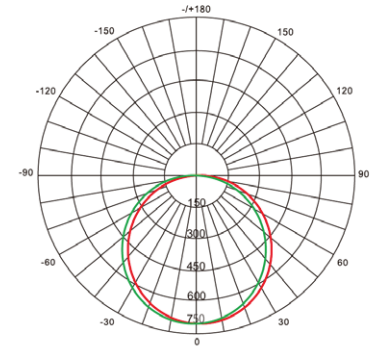
**6"**



AVERAGE BEAM ANGLE(50%): 120°

UNIT:CD  
 Test Number:LS-8CMCT30LR05  
 Lumens:1360LM/1920LM/2400LM  
 Test Number:17W/24W/30W  
 Test Number:5000K  
 - C0/180,110.9  
 - C30/210,110.5  
 - C60/240,109.3  
 - C90/270,109.1

**8"**



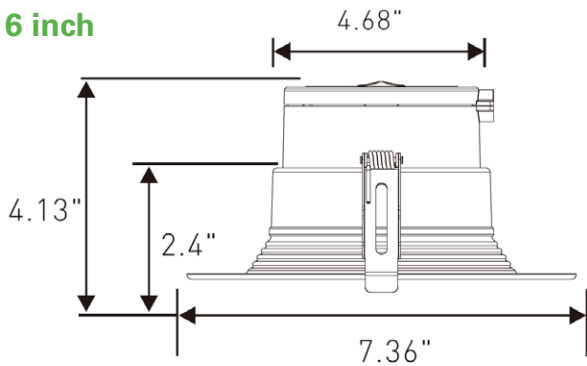
AVERAGE BEAM ANGLE(50%): 120°

UNIT:CD  
 Test Number:LS-10CMCT38LR05  
 Lumens:1760LM/2400LM/3040LM  
 Test Number:22W/30W/38W  
 Test Number:5000K  
 - C0/180,110.9  
 - C30/210,110.5  
 - C60/240,109.3  
 - C90/270,109.1

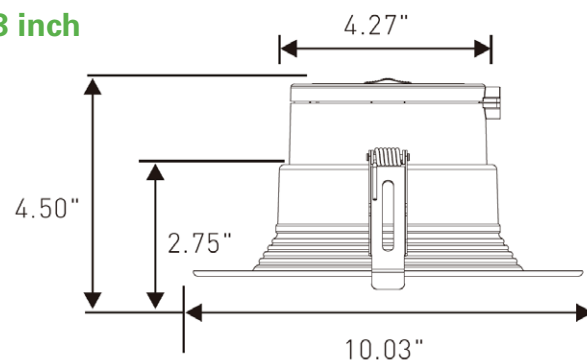
**10"**

## DIMENSIONS Unit: inch [mm]

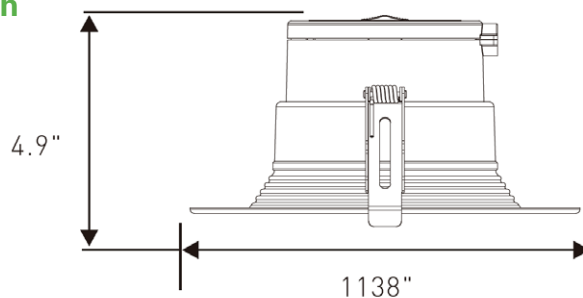
**6 inch**



**8 inch**



**10 inch**



## OPTIONAL ACCESSORIES

Emergency Battery Backup. Style LSED20W



## INSTALLATION INSTRUCTIONS

1. Locate a suitable location for the fixture and cut a 6" (160mm), 8" (205mm), or 10" (228mm) round hole where the LED Downlight (A) will be installed. Ensure this location has access to a junction box with electrical wire from the switch (power supply) and allows for a clearance depth of 5.5 inches. A template is provided to assist in properly locating and cutting the hole.

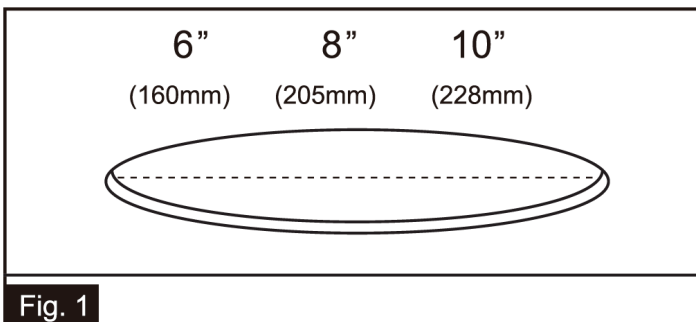


Fig. 1

2. Connect AC and dimming supply cables inside the hardware junction box (not included) in the following manner: black to black, white to white, pink to pink or grey, and purple to purple. Place all wiring connections back into the hardwire junction box and close the cover.

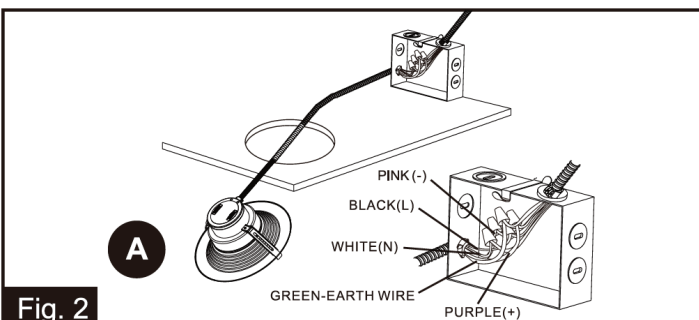


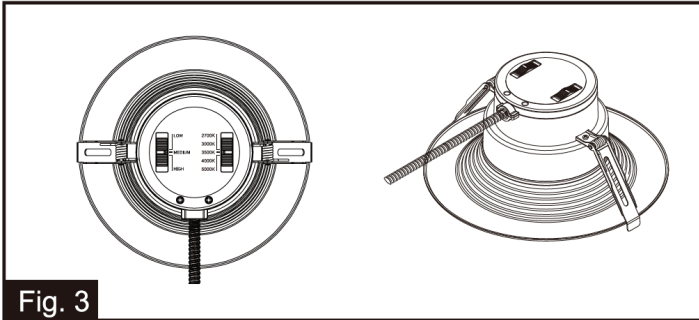
Fig. 2

## WARNINGS

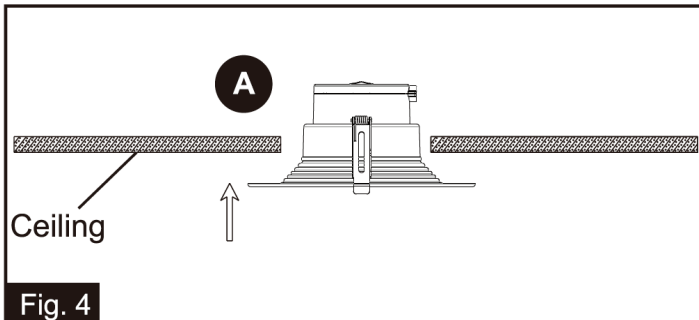
- Turn off electricity at the main breaker / fuse box before beginning installation by switching off the circuit breaker or removing the fuse.
- Be careful not to damage or cut the wire insulation (covering) during fixture installation. Do not permit the power cord or housing to contact any surface having a sharp edge. To do so may damage or cut the wire insulation, which could cause serious injury or death from electric shock.
- This fixture requires 120-277VAC power input. The installer must confirm the input power at the source prior to installation.

## INSTALLATION INSTRUCTIONS, CONTINUED

3. Adjust the CCT (correlated color temperature) and Lumen/Power to the desired levels by using the switches on the back of the fixture.



4. Push the spring-loaded clips on the Downlight (A) upwards and insert the base of the Downlight (A) into the mounting hole established in Step 1. Release the clips, and the fixture will grip flush with the ceiling/drywall.



5. Once assembly is complete, turn on the power to confirm the fixture is working properly.

