

Project Name:	Fixture Type:
Complete Catalog #:	Date:
Comments:	

## ZENITH AREA LIGHT FIXTURES



The Zenith Area Light Fixtures are premium luminaires with a rugged yet sleek aluminum housing with a durable, UV-resistant powder coated finish that provides exceptional corrosion protection. The Zenith's patented optics creates a high performance flood fixture. Optional arm, slip fitter, wall, and yoke mount brackets are available mounting options. These high powered flood fixtures are ideal for illuminating building facades, parking areas, campuses, car dealerships, walkways, and roadways. These fixtures are warranted for 10 years or 50,000 hours, non-prorated.

### FEATURES

- System Efficiency - up to 144 lm/W
- Up to 42,000 lumens, replaces up to 1,000W Metal Halide
- Wet Location Listed
- 1-10V Dimming
- 3G Vibration Rated
- Input Voltage - 120-277VAC or 347-480VAC Options
- Rebate Eligible - Yes, DLC Listed, Contact for details
- Warranty - 10 Years or 50,000 Hours Non-Prorated

### APPLICATIONS

- Signage
- Landscape
- Building Facades
- Parking Areas
- Campuses
- Car Dealerships
- Walkways
- Roadways



## ORDERING INFORMATION

PART NUMBER	WATTAGE	LUMENS	VOLTAGE	CCT	MIN ORDER QTY	US STOCK
ECO-MEZ-07-100W-FL	100W	14,000	120-277 or 347-480VAC	4000K or 5000K	2	YES
ECO-MEZ-07-150W-FL	150W	21,000	120-277 or 347-480VAC	4000K or 5000K	2	YES
ECO-MEZ-07-250W-FL	250W	35,000	120-277 or 347-480VAC	4000K or 5000K	2	YES
ECO-MEZ-07-300W-FL	300W	42,000	120-277 or 347-480VAC	4000K or 5000K	2	YES

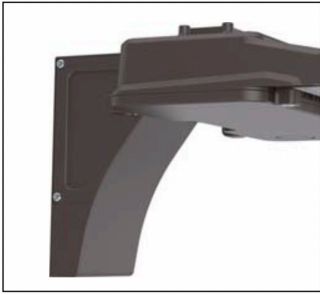
## TECHNICAL SPECIFICATIONS

Beam Angle	Types III, IV, and V distributions
CRI	70+
Efficacy	up to 144 LPW
Environment	Wet Location Listed
Power Frequency	50-60 Hz
Power Factor	>0.9
THD	<20%
Dimming	1-10V
Certifications	DLC Listed, cULus, Wet Location Listed
Fixture Material	Die-cast Aluminum
Rated Life (L70)	100,000 Hours
Warranty	10 Years or 50,000 Hours Non-Prorated
Operating Temperature	-40° to 104° F
Optional Mounting	Arm, Slipfitter, Yoke, Wall Mount
Housing Color	Black, Dark Bronze, White, Silver Gray
Vibration Rating	3G
Photocell Options	120-277V, 347V, 480V, none
Surge Protection	Optional for 100W. Standard for 150W, 250W, & 300W

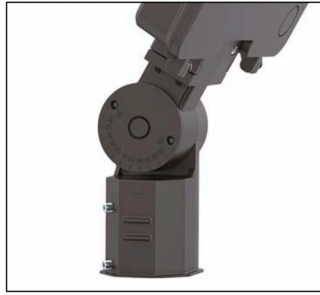
\*Data is based upon tests performed in a controlled environment and representative performance. Actual performance can vary depending on operating conditions. Specifications are subject to change without notice. All specifications are nominal unless otherwise noted.

\*IES files provided on request.

## MOUNTING ACCESSORIES - ORDER SEPARATELY



**Arm Mount**  
(4" and 5" Square and Round poles)  
Standard versatile mounting arm is simple



**Slipfitter Mount**  
An optional cast aluminum mast arm adapter  
secures fixture head to nominal 2-3/8" O.D.



**Wall Mount**  
Wall Mount is easy to install for direct  
wall mounting with 1/2" conduit wiring or



**Yoke Mount**  
Die-cast aluminum trunion is easily adapted  
to many surfaces and allows easy fixture

### POLE BRACKET • For mounting one fixture on an existing pole

	<p><b>4" Square Pole Mount with 2-3/8" O.D. Tenon</b> No. 4SQ-SP-D Finish: Dark Bronze USE: For use with square, non-tapered steel and aluminum poles. Furnished with four 5/16" hex head stainless-steel bolts. Vertical tenon measures 2-3/8" O.D., and is made of steel tubing. Fixtures mounted to this bracket can be adjusted both vertically and horizontally.</p>		<p><b>4" Round Pole Mount with 2-3/8" O.D. Tenon</b> No. 4SQR-SP-D Finish: Dark Bronze USE: For use with Round, non-tapered steel and aluminum poles. Furnished with three 3/8" hex head stainless-steel bolts. Vertical tenon measures 2-3/8" O.D., and is made of steel tubing. Fixtures mounted to this bracket can be adjusted both vertically and horizontally.</p>
	<p><b>5" Square Pole Mount with 2-3/8" O.D. Tenon</b> No. 5SQ-SP-D Finish: Dark Bronze USE: For use with square, non-tapered steel and aluminum poles. Furnished with four 5/16" hex head stainless-steel bolts. Vertical tenon measures 2-3/8" O.D., and is made of steel tubing. Fixtures mounted to this bracket can be adjusted both vertically and horizontally.</p>		<p><b>5" Round Pole Mount with 2-3/8" O.D. Tenon</b> No. 5SQR-SP-D Finish: Dark Bronze USE: For use with Round, non-tapered steel and aluminum poles. Furnished with three 3/8" hex head stainless-steel bolts. Vertical tenon measures 2-3/8" O.D., and is made of steel tubing. Fixtures mounted to this bracket can be adjusted both vertically and horizontally.</p>
	<p><b>Pole Bracket Accessories - Angle-Adjustment Adapter</b> NO. SQA-ALDA Finish: Dark Bronze USE: Durable brackets are engineered to provide versatile mounting options. These arms are made from rugged die-cast aluminum. They allow optimal positioning of the light fixture to maximize the lighting effectiveness vertically and horizontally.</p>		<p><b>Pole Bracket accessories - Tenon &amp; Yoke Adaptor</b> NO. SP-TR-D Finish: Dark Bronze</p>

### WALL BRACKET • Attaches to any flat surface • Provides wiring access

	<p><b>90° Wall Mount Bracket with 2-3/8" O.D. Tenon</b> NO. WM-SP-D Finish: Dark Bronze</p>		<p><b>2-3/8" OD Horizontal Tenon Mid-Pole Bracket</b> NO. SQ-SP-D Finish: Dark Bronze USE: 2-3/8" OD Horizontal Tenon Mid-Pole Bracket is designed to mount light fixture that is equipped with a adjustable slipfitter onto a 2-3/8" OD horizontal tenon</p>
--	---	--	---

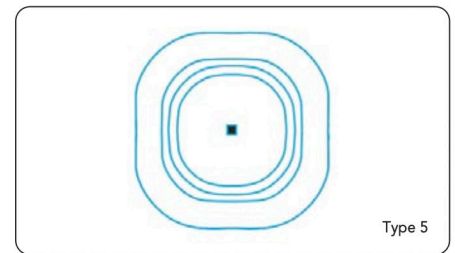
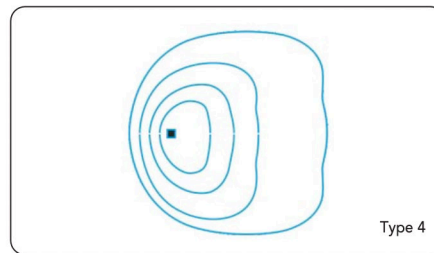
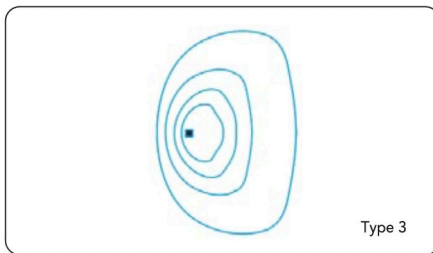
## MOUNTING ACCESSORIES - ORDER SEPARATELY, CONTINUED

Round External Mount Horizontal Tenon - To mount 2/3/4 fixtures on an existing pole			
	<p><b>Double 90° Horizontal Tenon Adaptor</b>                      NO. R60-SP2-90-D                      Finish: Dark Bronze                      USE: The Bracket is designed to mount over 2-3/8" (60mm) O.D. vertical tenon. Two fixtures can be mounted to the Round External Mount Horizontal Tenon and adjusted horizontally</p>		<p><b>Triple 120° Horizontal Tenon Adaptor</b>                      NO. R60-SP3-120-D                      Finish: Dark Bronze                      USE: The Bracket is designed to mount over 2-3/8" (60mm) O.D. vertical tenon. Three fixtures can be mounted to the Round External Mount Horizontal Tenon and adjusted horizontally</p>
	<p><b>Double 180° Horizontal Tenon Adaptor</b>                      NO. R60-SP2-180-D                      Finish: Dark Bronze                      USE: The Bracket is designed to mount over 2-3/8" (60mm) O.D. vertical tenon. Two fixtures can be mounted to the Round External Mount Horizontal Tenon and adjusted horizontally</p>		<p><b>Quad 90° Horizontal Tenon Adaptor</b>                      NO. R60-SP4-90-D                      Finish: Dark Bronze                      USE: The Bracket is designed to mount over 2-3/8" (60mm) O.D. vertical tenon. Four fixtures can be mounted to the Round External Mount Horizontal Tenon and adjusted horizontally</p>
	<p><b>Triple 90° Horizontal Tenon Adaptor</b>                      NO. R60-SP3-90-D                      Finish: Dark Bronze                      USE: The Bracket is designed to mount over 2-3/8" (60mm) O.D. vertical tenon. Three fixtures can be mounted to the Round External Mount Horizontal Tenon and adjusted horizontally</p>		

## CONTROLS

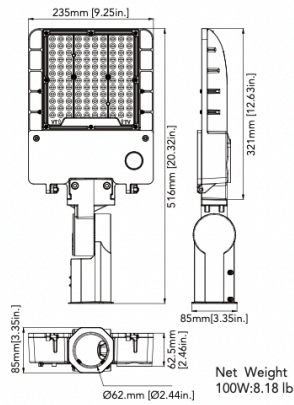
Control Options: 1-10V dimming, Photocell optional (120-277V, 347V, 480V), Optional motion sensor (120-277V).

## PHOTOMETRICS

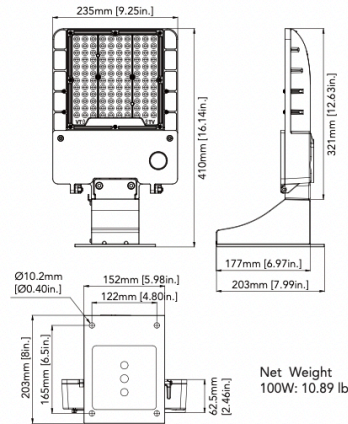


## DIMENSIONS

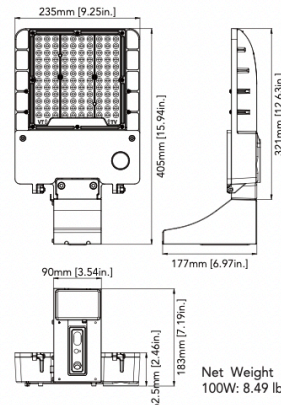
100W (Slipfitter Mount)



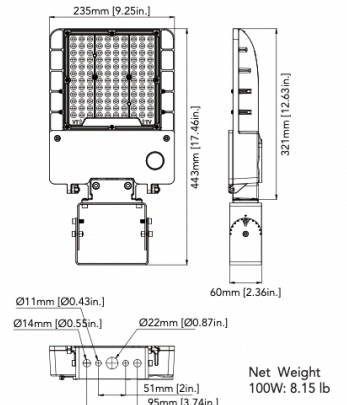
100W (Wall Mount)



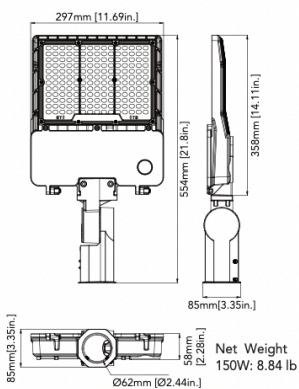
100W (Pole Mount)



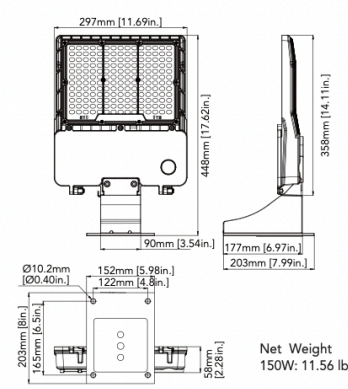
100W (Yoke Mount)



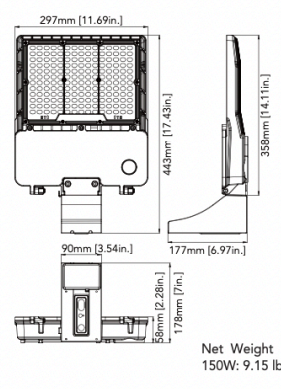
150W (Slipfitter Mount)



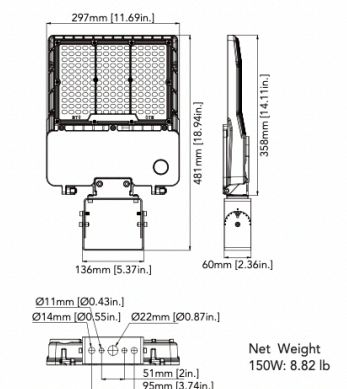
150W (Wall Mount)



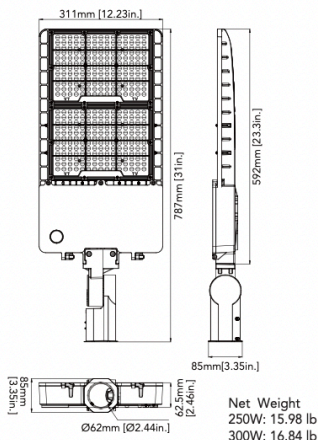
150W (Pole Mount)



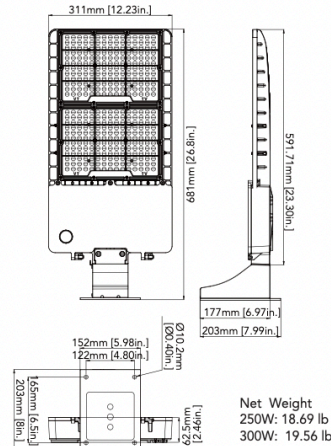
150W (Yoke Mount)



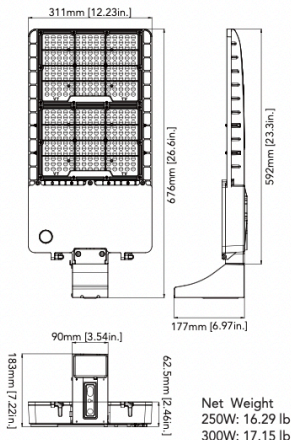
250W/300W (Slipfitter Mount)



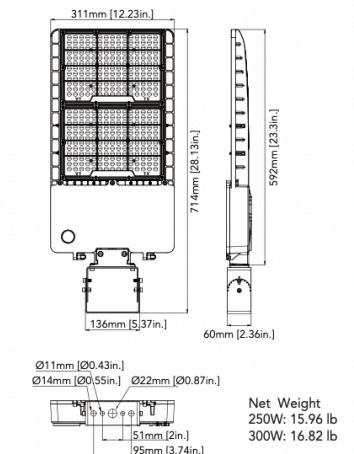
250W/300W (Wall Mount)



250W/300W (Pole Mount)



250W/300W (Yoke Mount)



# ZENITH AREA LIGHT FIXTURES

## EPA

Item							
	1	2 @90°	2 @120°	2@180°	3 @90°	3 @120°	4 @90°
100W	0.2751	0.5267	0.7321	0.6164	0.9577	0.9837	0.9577
150W	0.3111	0.6343	0.6464	0.6222	0.9335	0.9696	0.9335
250W/300W	0.4097	0.7227	0.9919	0.8856	1.1986	1.3049	1.1986

## BUG

SYSTEM WATTS	VOLTAGE	DIST.TYPE	B	U	G
100W	120-277V/347-480V	3	2	0	2
		4	2	0	3
150W	120-277V/347-480V	3	3	0	3
		4	3	0	3
250W	120-277V/347-480V	3	4	0	4
		4	4	0	5
300W	120-277V/347-480V	3	4	0	5
		4	4	0	5