

Project Name:	Fixture Type:
Complete Catalog #:	Date:
Comments:	

STELLAR LUMEN STREET LIGHT



The Stellar Lumen Street Light provides high performance for area and roadway applications. It provides photocell, sensor, and surge protection options, as well as excellent lumen maintenance. This luminaire family is ideal for sidewalks, parking lots, and roadways. The heavy-duty cast aluminum housing including a removable door. The fixture is 3G vibration rated, and is sealed against moisture & environmental contaminants to ensure a long operating life. The optics are available in IES Type II, III, and IV distributions. The product is DLC Premium listed, cULus wet location listed, and comes with EcoLite's 10 year or 50,000 hour non-prorated warranty.

FEATURES

- cULus wet location listed
- DLC Premium
- 3G vibration rated
- Available in IES Type II, III, and IV distributions
- Heavy duty die-cast aluminum housing with removable door
- Up to 20,000 lumens
- Replaces up to 400W metal halide
- 0-10V driver standard dims to 10%
- Photocell, sensor, and surge protection options

APPLICATIONS

- Street light
- Parking lots
- Sidewalks
- Commercial area lighting



ORDERING INFORMATION

MODEL #	WATTAGE	LUMENS @ 5000K & 120-277VAC	CCT	INPUT VOLTAGE	MINIMUM ORDER QTY	US STOCK
ECO-SEM-MRL02-70W-SL	70W	9,900	3000K/3500K/4000K/5000K	120-277VAC or 347-480VAC	2	Yes
ECO-SEM-MRL02-105W-SL	105W	14,600	3000K/3500K/4000K/5000K	120-277VAC or 347-480VAC	2	Yes
ECO-SEM-MRL02-150W-SL	150W	20,000	3000K/3500K/4000K/5000K	120-277VAC or 347-480VAC	2	Yes

TECHNICAL SPECIFICATIONS

Input Voltage	120-277VAC or 347-480VAC
Wattage	70W / 105W / 150W
Power Frequency	50-60Hz
Power Factor	>0.9
THD	<20%
Surge Protection Available	10KV(@120-277V) / 20KV(@347-480V)
Lumens	Up to 20,000
Light Distributions	70W: Types II, III, and IV 105W & 150W: Type III
CRI	70+
CCT Options	3000K/3500K/4000K/5000K
Efficacy	Up to 141 lm/W
Vibration Rating	3G
Control Options	Photocell, motion sensor, 0-10V dimming standard down to 10%
Operating Temperature	-40° to 104° F
Housing Material	Die-cast aluminum with removable door
Rated Life	>50,000 hours
EPA	70W & 105W: 0.4567 150W: 0.4711
Certifications	cULus wet location, DLC Premium, 3G vibration rated, FCC
Warranty	10 years or 50,000 hour non-prorated

*Data is based upon tests performed in a controlled environment and representative performance. Actual performance can vary depending on operating conditions. Specifications are subject to change without notice. All specifications are nominal unless otherwise noted.

*IES files provided on request.

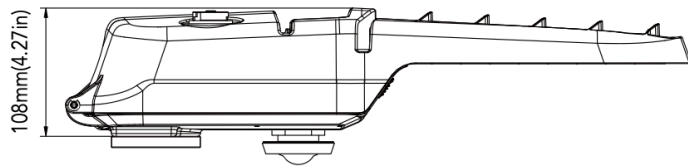
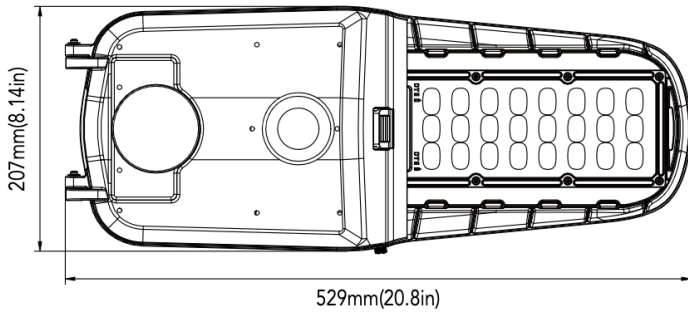
STELLAR LUMEN STREET LIGHT

CONTROLS

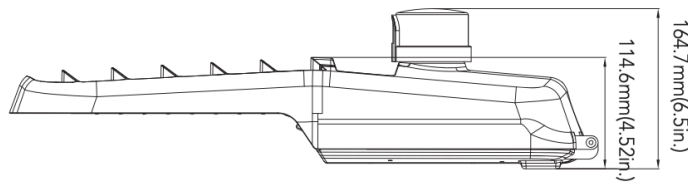
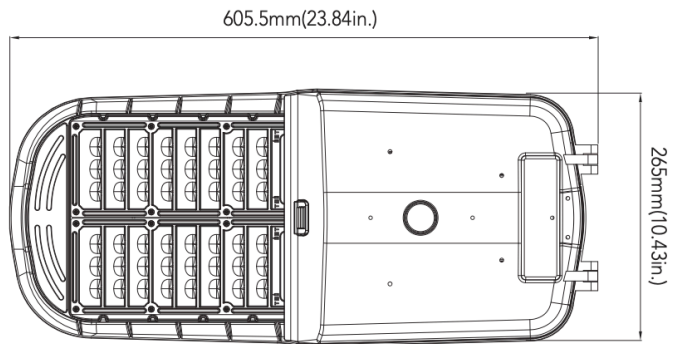
Control Options: photocell, motion sensor, 0-10V dimming standard down to 10%

DIMENSIONS unit: mm/inch

70W & 105 W



150W

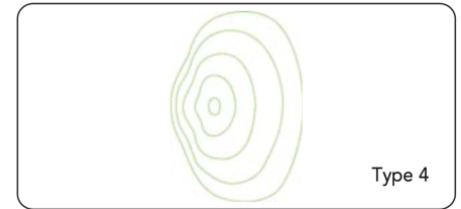
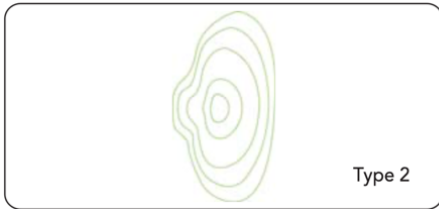


PHOTOMETRICS

Type 2 optics creates an asymmetric distribution working well in walkways and roadway applications where more light is required “street side” than “house side”.

Type 3 optics produces an asymmetrical pattern that directs the majority of the light forward and equally on both sides of the luminaire. In a back-to-back configuration, it creates a rectangular pattern which can extend pole spacings.

Type 4 is suitable for applications where light is primarily required forward with minimal backlight. Typical installations include perimeter poles.



ELECTRICAL DATA

Number Of Drivers	Driver Current (mA)	Nominal Power (W)	Input Voltage (V)	Current (Amps)
1	1100	70	120	0.58
		70	208	0.34
		70	240	0.29
		70	277	0.25
1	1850	70	347	0.20
		70	480	0.15
1	850	105	120	0.88
		105	208	0.50
		105	240	0.44
		105	277	0.38
	2520	105	347	0.30
		105	480	0.22
1	5600	150	120	1.25
		150	208	0.72
		150	240	0.63
		150	277	0.54
		150	347	0.43
		150	480	0.31