

Project Name:	Fixture Type:
Complete Catalog #:	Date:
Comments:	

## HAWK EYE II CORN LAMPS



**The Hawk Eye II Corn Lamps** are a premium collection of LED lamps to replace high pressure sodium, metal halide, and CFL lamps. They are ideal for high bays, low bays, wall packs, and other outdoor area lights. This versatile product line spans from 10W to 420W, replacing up to 1000W HID lamps. Producing up to 70,000 lumens, premium features include a 360-degree beam angle, aluminum heat sinks for thermal management, and 6000V surge protection. The 10W – 150W models have no fans for increased durability, while the 420W model has two sets of fans for maximum thermal management. Reduces energy use up to 65% compared with comparable lumen output HID lamps. The Hawk Eye II Corn Lamps are suitable for open or enclosed indoor fixtures, as well as in outdoor luminaires with a minimum IP65 rating. Some wattages offered in medium base (E26/E27) or mogul base (E39/EX39/E40).

### FEATURES

- Aluminum head sink for thermal management
- 360 degree beam angle
- Up to 167 lm/W
- Emits no UV and contains no mercury
- Available in mogul (E39/EX39/E40) or medium base (E26/E27)
- Input voltage of 100-277VAC (10W to 420W), and 300-480VAC (420W only)
- Type B, ballast bypass

### APPLICATIONS

- High Bay
- Low Bay
- Wall Packs
- Other outdoor HID retrofit



## ORDERING INFORMATION

PART NUMBER	WATTAGE	LUMENS	VOLTAGE	LAMP BASE	CCT	MIN ORDER QTY	US STOCK
ECO-NS-ACL10W-02C	10W	1,300	100-277VAC	E26/E27	3000K/4000K/6000K	1	YES
ECO-NS-ACL15W-02C	15W	1,875	100-277VAC	E26/E27	3000K/4000K/6000K	1	YES
ECO-NS-ACL20W-02C	20W	2,800	100-277VAC	E26/E27 or E39/EX39/E40	3000K/4000K/6000K	1	YES
ECO-NS-ACL30W-02C	30W	3,750	100-277VAC	E26/E27 or E39/EX39/E40	3000K/4000K/6000K	1	YES
ECO-NS-ACL40W-02C	40W	5,000	100-277VAC	E26/E27 or E39/EX39/E40	3000K/4000K/6000K	1	YES
ECO-NS-ACL50W-02C	50W	6,250	100-277VAC	E26/E27 or E39/EX39/E40	3000K/4000K/6000K	1	YES
ECO-NS-ACL60W-02C	60W	7,500	100-277VAC	E26/E27 or E39/EX39/E40	3000K/4000K/6000K	1	YES
ECO-NS-ACL80W-02C	80W	10,000	100-277VAC	E39/EX39/E40	3000K/4000K/6000K	1	YES
ECO-NS-ACL100W-02C	100W	12,500	100-277VAC	E39/EX39/E40	3000K/4000K/6000K	1	YES
ECO-NS-ACL120W-02C	120W	15,000	100-277VAC	E39/EX39/E40	3000K/4000K/6000K	1	YES
ECO-NS-ACL150W-02C	150W	18,750	100-277VAC	E39/EX39/E40	3000K/4000K/6000K	1	YES
ECO-NS-ACL420W-02C	420W	70,000	100-277VAC	E39/EX39/E40	3000K/4000K/6000K	1	YES
ECO-NS-ACL420W-02CH	420W	70,000	300-480VAC	E39/EX39/E40	3000K/4000K/6000K	1	YES

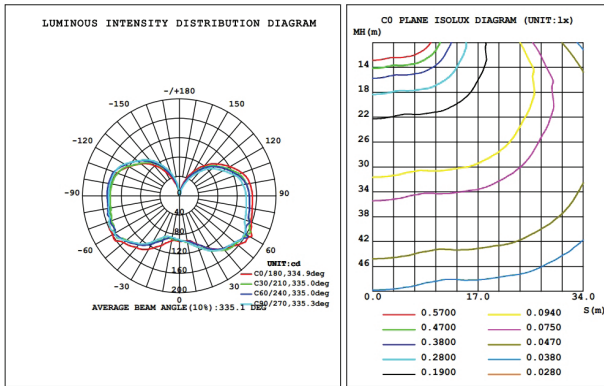
## TECHNICAL SPECIFICATIONS

Beam Angle	360 degrees	Power Factor	>0.9
Wattage	Up to 420W	Rated Life (L70)	50,000 hours
Lumens	Up to 70,000	Warranty	10 Years or 50,000 Hours Non-Prorated
Power Efficiency	>0.87	Operating Temperature	10W: -40°F - 113°F, 420W: -13°F - 122°F
Surge protection	Up to 6000 Volts	Lamp Net Weight	0.33 lbs for 10W, 3.3 lbs for 150W
CRI	80+	Dimmable	No
Efficacy	Up to 167 lm/W	Operating restrictions:	Indoor and Outdoor luminaire use. Use in outdoor luminaires with IP65 minimum <90% Humidity
IP rating	IP65	HID/CFL Equivalency	10W LED = 35W HID/CFL, 420W LED = 1000W HID
Input Voltage	100-277VAC (all wattages), 300-480VAC (420W only)		
Power Frequency	50/60 Hz		
Certifications	cETLus, DLC, FCC, RoHS		

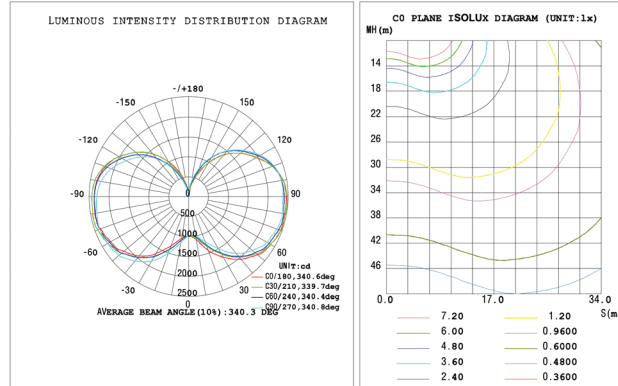
\*Data is based upon tests performed in a controlled environment and representative performance.  
Actual performance can vary depending on operating conditions.  
Specifications are subject to change without notice. All specifications are nominal unless otherwise noted.  
\*IES files provided on request.

## PHOTOMETRICS

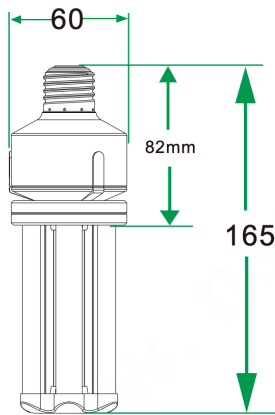
### 10W



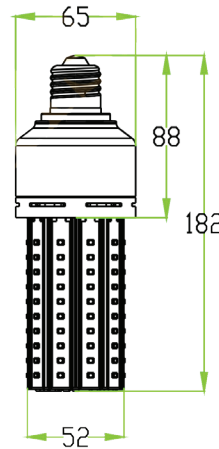
### 150W



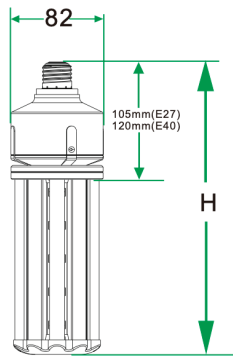
## DIMENSIONS



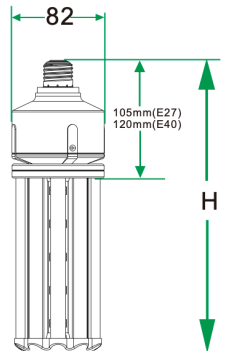
**10W-20W**



**30W**



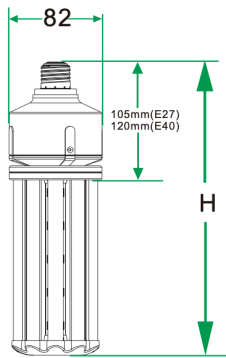
40W		
Base	E26/E27	E39/E40
Overall length	228mm	235mm
Diameter	82mm	
N.W	310g	330g



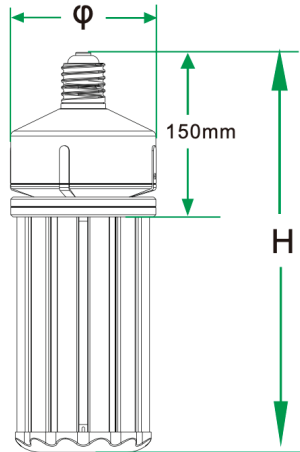
50W		
Base	E26/E27	E39/E40
Overall length	248mm	255mm
Diameter	82mm	
N.W	360g	380g

# HAWK EYE II CORN LAMPS

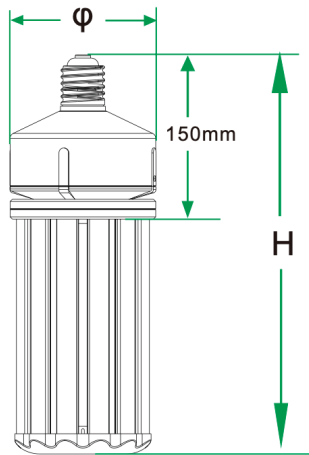
## DIMENSIONS



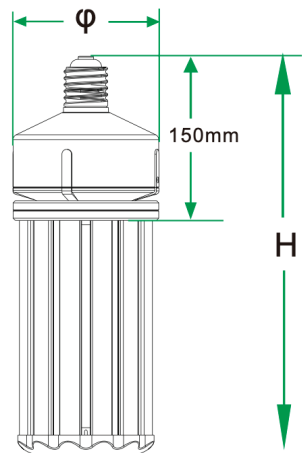
60W		
Base	E26/E27	E39/E40
Overall length	268mm	275mm
Diameter	82mm	
N.W	410g	430g



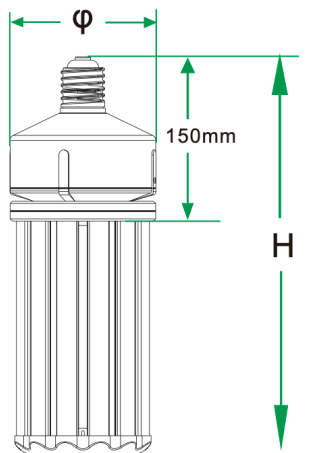
80W	
Base	E39/E40
Overall length	298mm
Diameter	133mm
N.W	900g



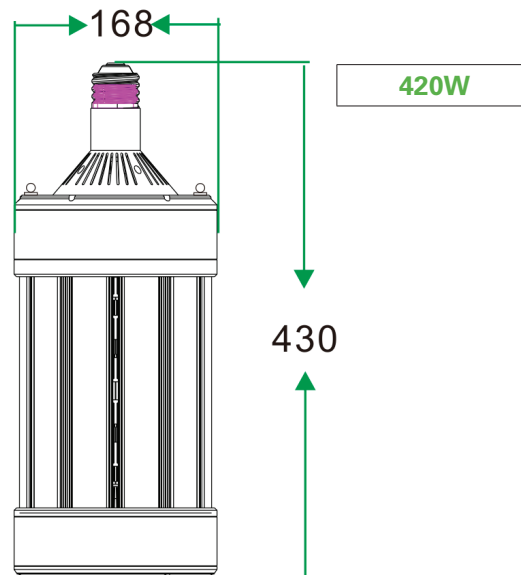
100W	
Base	E39/E40
Overall length	325mm
Diameter	133mm
N.W	1000g



120W	
Base	E39/E40
Overall length	345mm
Diameter	133mm
N.W	1100g

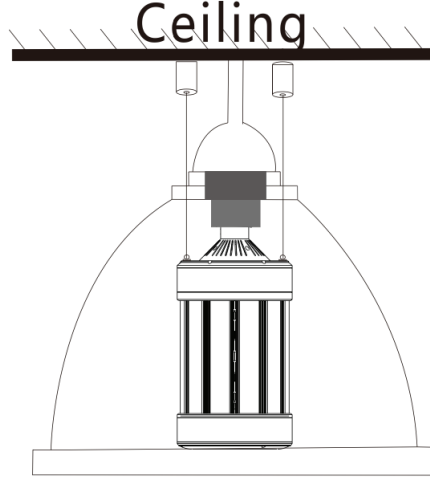
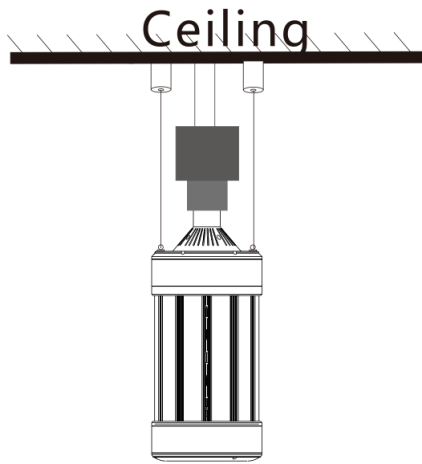


150W	
Base	E39/E40
Overall length	365mm
Diameter	133mm
N.W	1.25Kg



**420W**

## INSTALLATION



### Replace CFL



### Replace HID/MH/HPS

