

TRANSFORMER SERIES

3 IN 1 LED OUTDOOR LIGHTING:

- ▶ **Nemesis Post Top**
- ▶ **Nebulos Garage Lighter + Canopy**
- ▶ **Athenia Area Light**



The Transformer Series – 3 in 1 LED Outdoor Lighting family of luminaires provide discerning specifiers a more unified design option across three different outdoor luminaire types: Garage Lighter / Canopy, Post Top, and Area Light. The elegantly curved design, across all three luminaire types, allows a more consistent site aesthetic, with premium performance, features, and accessory options. The Transformer Series family of luminaires are both wattage-selectable as well as CCT-selectable. Optional accessories include motion sensor, household, button-on photocell, surge protection device (SPD), twist-lock photocell, emergency battery backup, and more. The family is cETLus wet listed, DLC Premium listed, and IP65 rated.

Project Name:	Fixture Type:
Complete Catalog #:	Date:
Comments:	

NEMESIS POST TOP



The **Nemesis Post Top** combines beauty and high-performance illumination. This elegant luminaire is ideal for low-glare pedestrian walkways, landscape projects, public parks, university campuses, corporate campuses, and city sidewalks. The housing is solid, cast aluminum, and includes a thermal barrier between the module and power envelopes. Available in Types 5, 3, and 2 light distributions. A microstructure lens increases uniformity, while reducing glare. The twin-arm mount has no screw holes nor gaps creating perfectly smooth surfaces. The Nemesis is CCT-selectable, power-selectable, cETLus wet listed, DLC Premium listed, IP65, and comes with feature-rich optional accessories.

FEATURES

- cETLus listed
- DLC Premium listed
- Available in Types 5, 3, and 2 light distributions
- IP65 rated
- Cast aluminum housing
- Anti-glare, microstructure lens
- Wattage- and CCT-selectable
- Up to 19,500 lumens

APPLICATIONS

- Pedestrian walkways
- Landscape projects
- Public parks
- University campuses
- Corporate campuses
- City sidewalks



ORDERING INFORMATION

MODEL #	SELECTABLE POWER	SELECTABLE POWER	INPUT VOLTAGE	SELECTABLE CCT	LIGHT DISTRIBUTIONS	MINIMUM ORDER QTY	US STOCK
ECO-ARKC-CPT-08-MW(40/60/80W)-MCCT(40/50K)	40W (5,200 lm) 60W (7,800 lm) 80W (10,400 lm)	40W 60W 80W	120-277VAC or 347-480VAC	4000K 5000K	Type 5 Type 3 Type 2	2	Yes
ECO-ARKC-CPT-08-MW(100/120/150W)-MCCT(40/50K)	100W (13,400 lm) 120W (15,600 lm) 150W (19,500 lm)	100W 120W 150W	120-277VAC or 347-480VAC	4000K 5000K	Type 5 Type 3 Type 2	2	Yes

TECHNICAL SPECIFICATIONS

Input Voltage	120-277VAC or 347-480VAC
Input Power Frequency	50-60 Hz
Selectable Power	Up to 150W
Lumen Output	Up to 19,500 lumens
Selectable CCT	4000K / 5000K
CRI	70+
Light Distributions	Type 5, Type 3, Type 2
IP Rating	IP65
Mounting Options	Twin Arm, Side Arm, Wall Arm, Houseshield
Finishes	White, Dark Bronze, Black, Natural Aluminum, or Custom Color
Optional Surge Protection	4kV standard, 10kV or 20kV surge protection device optional
Control & Sensor Options	Emergency Battery Backup, 0-10V Dimming, AC Occupancy Sensor, 12V DC Occupancy Sensor, Twist-Lock Photocell, Receptacle Base 7-Pin, Occupancy Sensor With Bluetooth, Zhaga Receptacle Base.
Operating Temperature	-40° to 122°F (-40° to 50°C)
Certifications	cETLus wet location, DLC Premium, FCC
Construction	Cast aluminum housing, anti-glare microstructure lens.
Warranty	10 years or 50,000 hour non-prorated

*Data is based upon tests performed in a controlled environment and representative performance. Actual performance can vary depending on operating conditions. Specifications are subject to change without notice. All specifications are nominal unless otherwise noted.

*IES files provided on request.

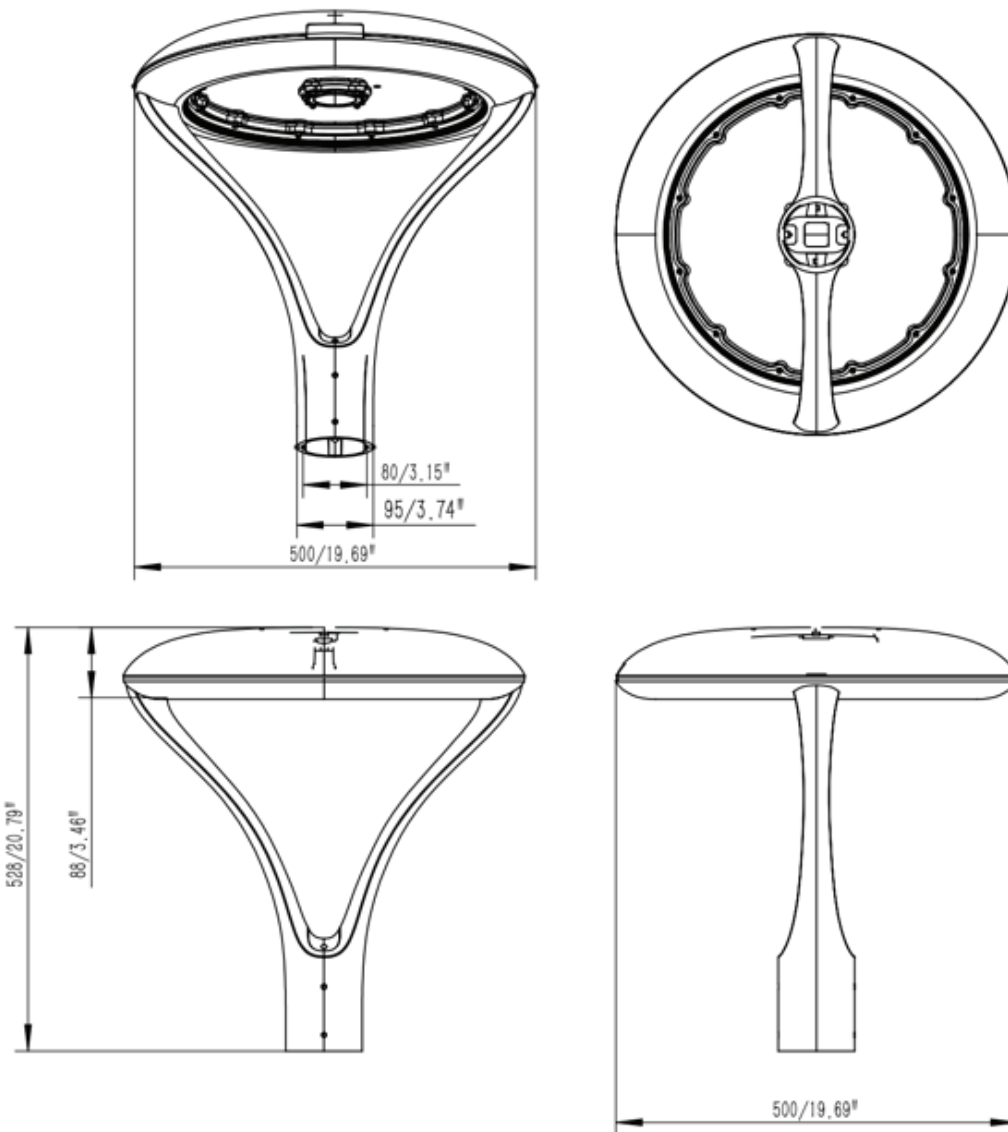
NEMESIS POST TOP

CONTROLS

Control Options: Emergency Battery Backup, 0-10V Dimming, AC Occupancy Sensor, 12V DC Occupancy Sensor, Twist-Lock Photocell, Button-on Photocell, Receptacle Base 7-Pin, Occupancy Sensor With Bluetooth, and Zhaga Receptacle Base.

DIMENSIONS

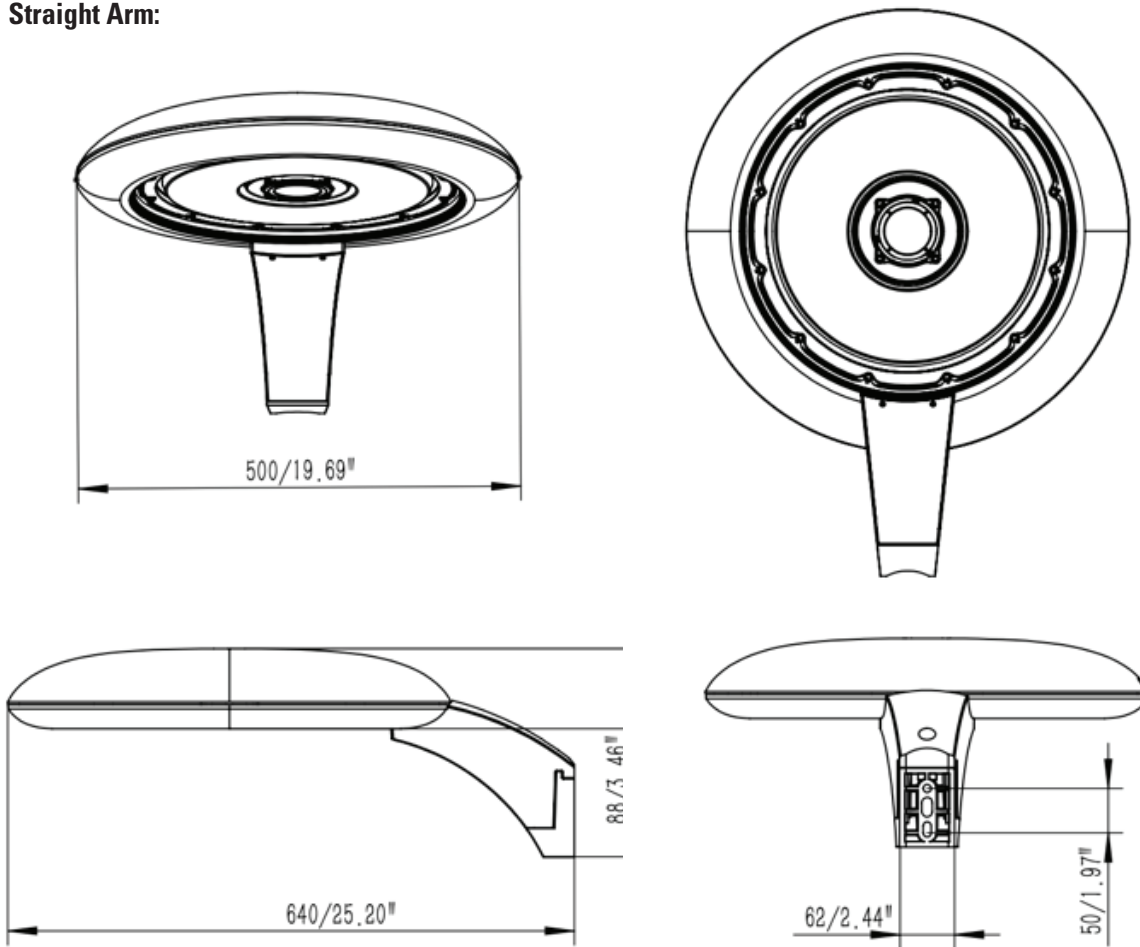
Post Top Arm:



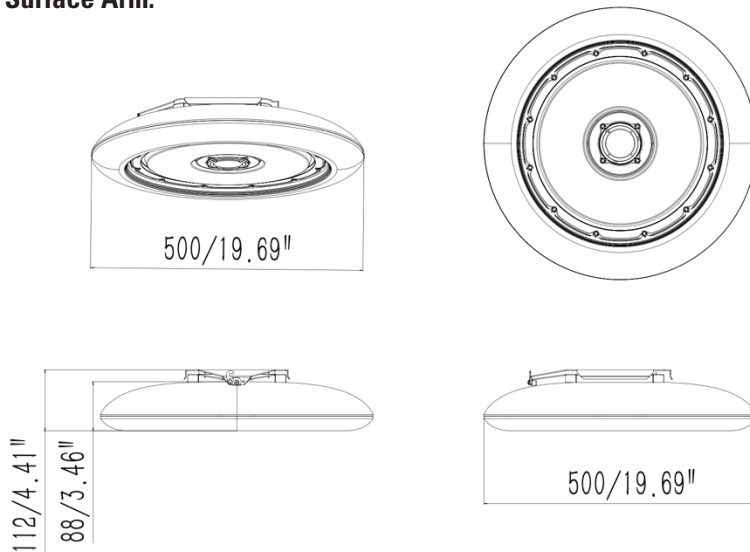
NEMESIS POST TOP

DIMENSIONS, CONTINUED

Straight Arm:



Surface Arm:



ACCESSORY OPTIONS



Motion Sensor



Houseshield



Button-on Photocell



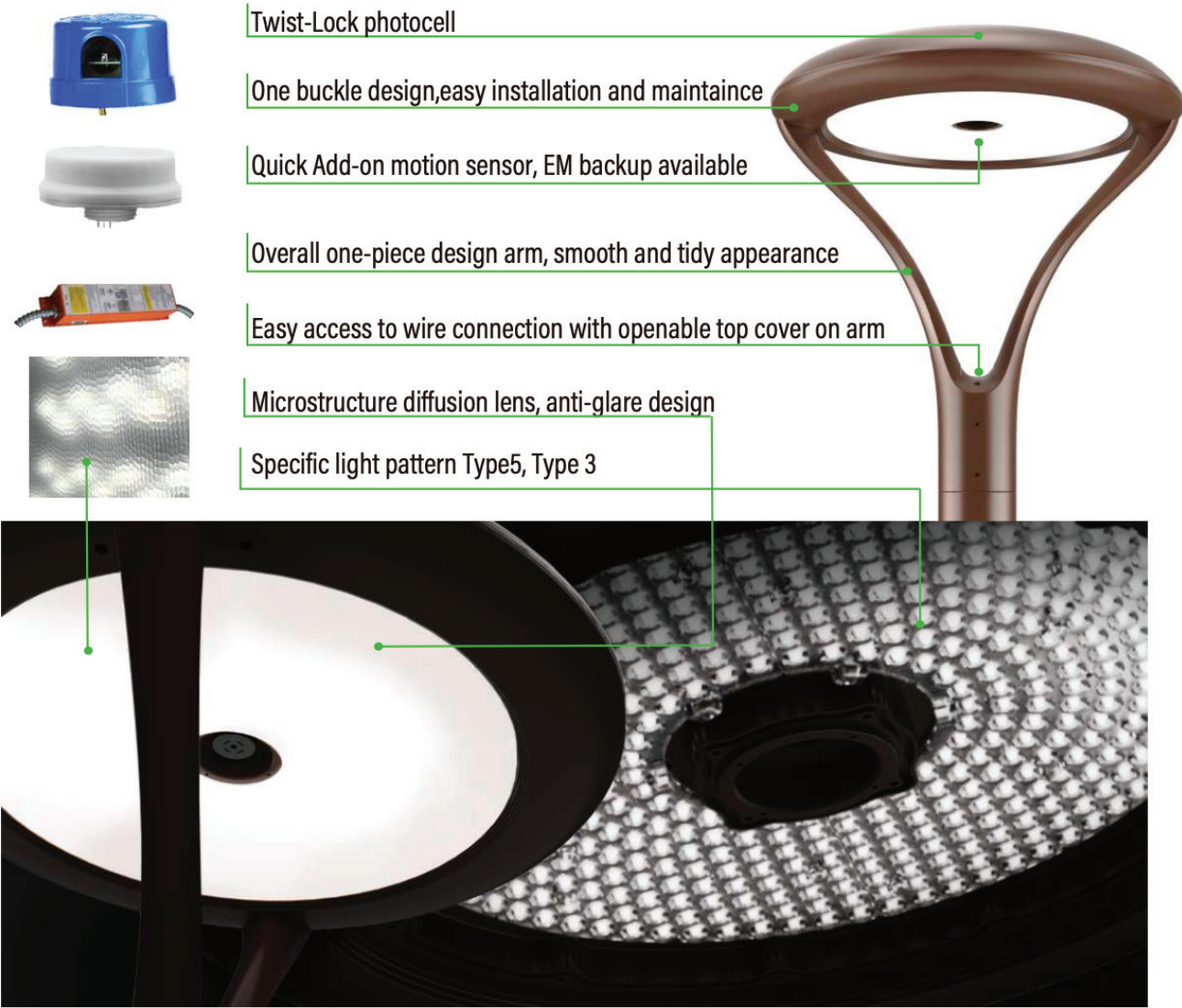
Surge Protect Device



Twist-Lock Photocell



Emergency Backup



Twist-Lock photocell

One buckle design, easy installation and maintenance

Quick Add-on motion sensor, EM backup available

Overall one-piece design arm, smooth and tidy appearance

Easy access to wire connection with openable top cover on arm

Microstructure diffusion lens, anti-glare design

Specific light pattern Type5, Type 3

Project Name:	Fixture Type:
Complete Catalog #:	Date:
Comments:	

NEBULOS GARAGE LIGHTER + CANOPY



The **Nebulos Garage Lighter + Canopy** provides aesthetic design and high-performance illumination. This sleek luminaire is ideal for low-glare parking garage lighting, building overhangs, and other canopy applications from 8' to 20' mounting heights. The housing is solid, cast aluminum, and includes a thermal barrier between the module and power envelopes. Available in Type 5 Wide, Type 5 Rectangular, and Type 5 Concentrated light distributions. A microstructure lens increases uniformity, while reducing glare. Pendant mount, surface mount, and trunion mount options are available, along with bird deterrent dome, uplight modules, wire guard, and house shield optional accessories. The Nebulos is CCT-selectable, power-selectable, cETLus wet listed, DLC Premium listed, and IP65 rated.

FEATURES

- cETLus listed
- DLC Premium listed
- Available in Types 5 Wide, Type 5 Rectangular, and Type 5 Concentrated light distributions
- IP65 rated
- Cast aluminum housing
- Anti-glare, microstructure lens
- Wattage- and CCT-selectable
- Up to 19,500 lumens

APPLICATIONS

- Parking Garages with 8' to 20' mounting heights
- Building Overhangs
- Other canopy applications



ORDERING INFORMATION

MODEL #	SELECTABLE POWER	INPUT VOLTAGE	SELECTABLE CCT	LIGHT DISTRIBUTIONS	MINIMUM ORDER QTY	US STOCK
ECO-ARKC-CPT-08-MW(40/60/80W)-MCCT(40/50K)	40W (5,200 lm) 60W (7,800 lm) 80W (10,400 lm)	120-277VAC or 347-480VAC	4000K 5000K	Type 5 Wide Type 5 Rectangular Type 5 Concentrated	2	Yes
ECO-ARKC-CPT-08-MW(100/120/150W)-MCCT(40/50K)	100W (13,400 lm) 120W (15,600 lm) 150W (19,500 lm)	120-277VAC or 347-480VAC	4000K 5000K	Type 5 Wide Type 5 Rectangular Type 5 Concentrated	2	Yes

TECHNICAL SPECIFICATIONS

Input Voltage	120-277VAC or 347-480VAC
Input Power Frequency	50-60 Hz
Selectable Power	Up to 150W
Lumen Output	Up to 19,500 lumens
Selectable CCT	4000K / 5000K
CRI	70+
Light Distributions	Type 5 Wide, Type 5 Rectangular, Type 5 Concentrated
IP Rating	IP65
Mounting Options	Surface Mount, Pendant Mount, Trunnion Mount
Finishes	White, Dark Bronze, Black, Natural Aluminum, or Custom Color
Optional Surge Protection	4kV standard, 10kV or 20kV surge protection device optional
Control & Sensor Options	Emergency Battery Backup, 0-10V Dimming, AC Occupancy Sensor, 12V DC Occupancy Sensor, Occupancy Sensor With Bluetooth, Zhaga Receptacle Base.
Operating Temperature	-40° to 122°F (-40° to 50°C)
Certifications	cETLus wet location, DLC Premium, FCC
Construction	Cast aluminum housing, anti-glare microstructure lens.
Warranty	10 years or 50,000 hour non-prorated

*Data is based upon tests performed in a controlled environment and representative performance. Actual performance can vary depending on operating conditions. Specifications are subject to change without notice. All specifications are nominal unless otherwise noted.

*IES files provided on request.

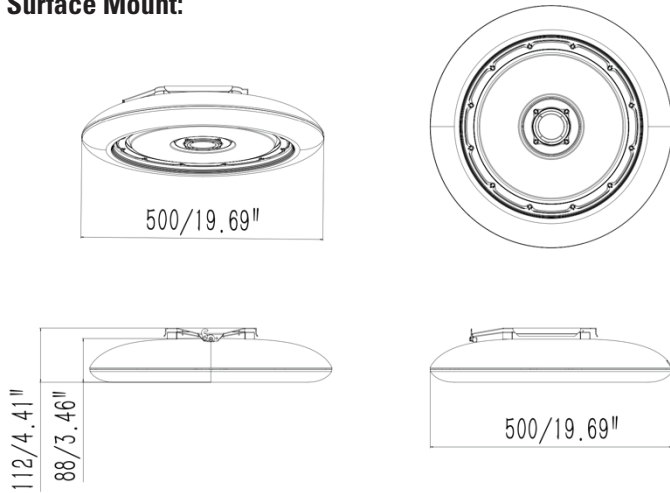
NEBULOS GARAGE LIGHTER + CANOPY

CONTROLS

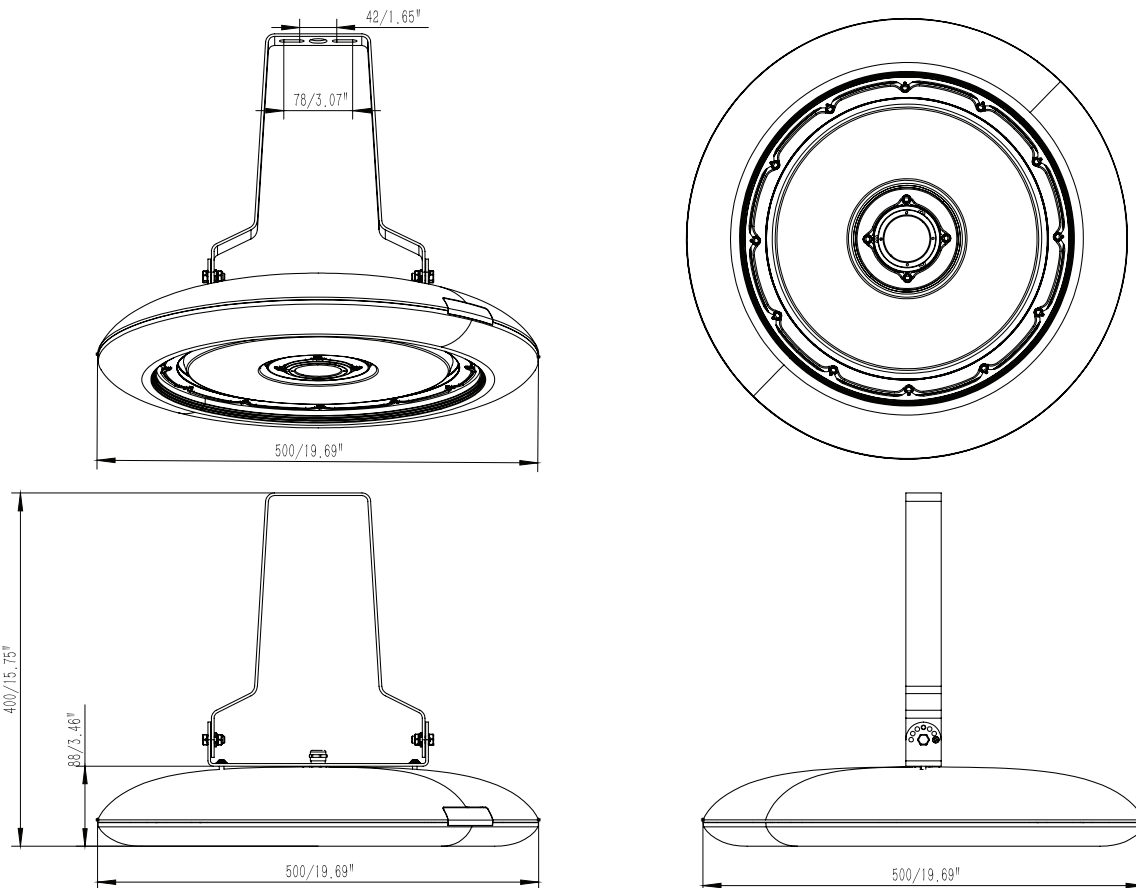
Control Options: Emergency Battery Backup, 0-10V Dimming, AC Occupancy Sensor, 12V DC Occupancy Sensor, Occupancy Sensor With Bluetooth, and Zhaga Receptacle Base.

DIMENSIONS

Surface Mount:



Trunnion Mount:



ACCESSORY OPTIONS

Accessory Options: Bird deterrent dome, upright modules, wireguard, house side shield, 10kV or 20kV surge protection device, and emergency battery backup.

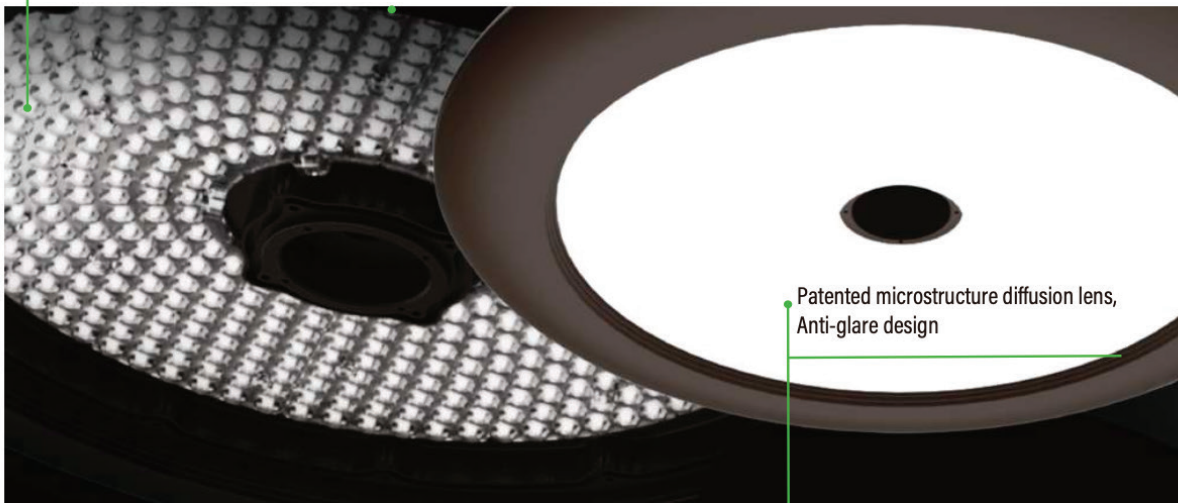


Quick Add-on motion sensor installation

Overall screw-free design, smooth and tidy appearance

One buckle design
Easy to installation and maintaine
Inside emergency backup option

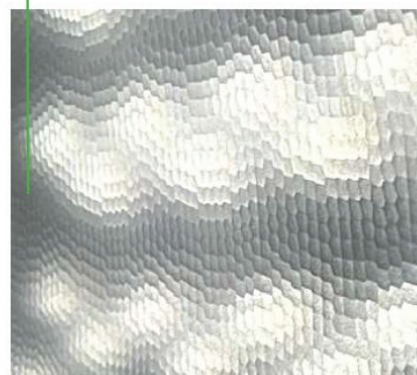
Specific garage light Type5 Wide, Type5 Rectangular, Type5 Concentrated pattern design
No need to replace LED board when re-configuration



Patented microstructure diffusion lens, Anti-glare design

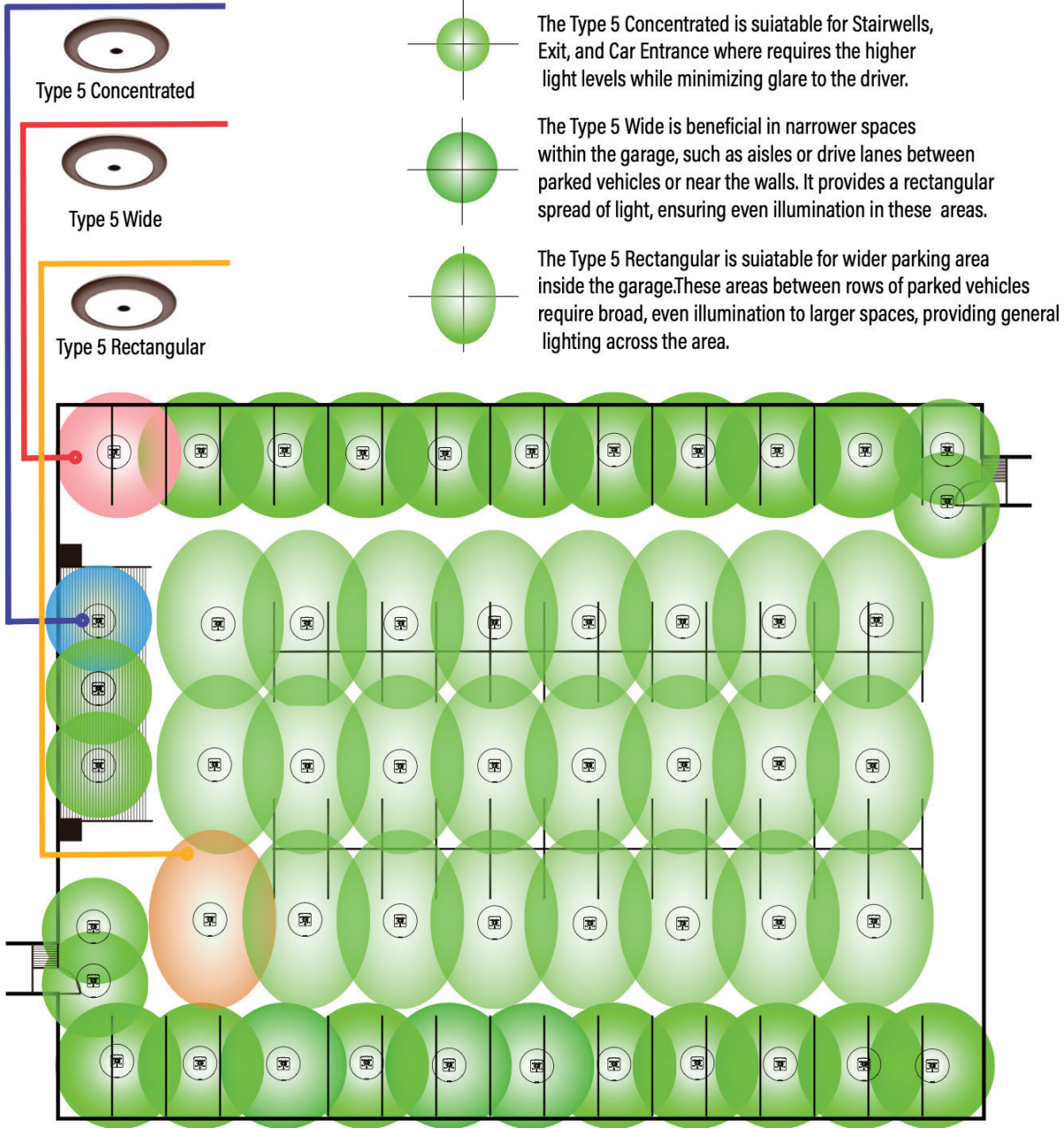


Pendent mount with Uplight module design



NEBULOS GARAGE LIGHTER + CANOPY

LIGHT DISTRIBUTIONS



Project Name:	Fixture Type:
Complete Catalog #:	Date:
Comments:	

ATHENIA AREA LIGHT



The Athena Area Light delivers form and function. This gracefully curved luminaire is ideal for low-glare pedestrian walkways, public parks, university campuses, corporate campuses, and city sidewalks. The housing is solid, cast aluminum, and includes a thermal barrier between the module and power envelopes. Available in Types 5, 3, and 2 light distributions. A microstructure lens increases uniformity, while reducing glare. The Athena is CCT-selectable, power-selectable, cETLus wet listed, DLC Premium listed, IP65, and comes with feature-rich optional accessories.

FEATURES

- cETLus listed
- DLC Premium listed
- Available in Types 5, 3, and 2 light distributions
- IP65 rated
- Cast aluminum housing
- Anti-glare, microstructure lens
- Wattage- and CCT-selectable
- Up to 19,500 lumens

APPLICATIONS

- Pedestrian walkways
- Public parks
- University campuses
- Corporate campuses
- City sidewalks



ORDERING INFORMATION

MODEL #	SELECTABLE POWER	SELECTABLE POWER	INPUT VOLTAGE	SELECTABLE CCT	LIGHT DISTRIBUTIONS	MINIMUM ORDER QTY	US STOCK
ECO-ARKC-CPT-08-MW(40/60/80W)-MCCT(40/50K)	40W (5,200 lm) 60W (7,800 lm) 80W (10,400 lm)	40W 60W 80W	120-277VAC or 347-480VAC	4000K 5000K	Type 5 Type 3 Type 2	2	Yes
ECO-ARKC-CPT-08-MW(100/120/150W)-MCCT(40/50K)	100W (13,400 lm) 120W (15,600 lm) 150W (19,500 lm)	100W 120W 150W	120-277VAC or 347-480VAC	4000K 5000K	Type 5 Type 3 Type 2	2	Yes

TECHNICAL SPECIFICATIONS

Input Voltage	120-277VAC or 347-480VAC
Input Power Frequency	50-60 Hz
Selectable Power	Up to 150W
Lumen Output	Up to 19,500 lumens
Selectable CCT	4000K / 5000K
CRI	70+
Light Distributions	Type 5, Type 3, Type 2
IP Rating	IP65
Mounting Options	Side Arm, Wall Arm, House side shield
Finishes	White, Dark Bronze, Black, Natural Aluminum, or Custom Color
Optional Surge Protection	4kV standard, 10kV or 20kV surge protection device optional
Control & Sensor Options	Emergency Battery Backup, 0-10V Dimming, AC Occupancy Sensor, 12V DC Occupancy Sensor, Twist-Lock Photocell, Receptacle Base 7-Pin, Occupancy Sensor With Bluetooth, Zhaga Receptacle Base.
Operating Temperature	-40° to 122°F (-40° to 50°C)
Certifications	cETLus wet location, DLC Premium, FCC
Construction	Cast aluminum housing, anti-glare microstructure lens.
Warranty	10 years or 50,000 hour non-prorated

*Data is based upon tests performed in a controlled environment and representative performance. Actual performance can vary depending on operating conditions. Specifications are subject to change without notice. All specifications are nominal unless otherwise noted.

*IES files provided on request.

ATHENIA AREA LIGHT

CONTROLS

Control Options: Emergency Battery Backup, 0-10V Dimming, AC Occupancy Sensor, 12V DC Occupancy Sensor, Twist-Lock Photocell, Button-on Photocell, Receptacle Base 7-Pin, Occupancy Sensor With Bluetooth, and Zhaga Receptacle Base.

MOUNTING

Mounting Options include: Straight Arm For Round Pole, Straight Arm For Square Pole, and Wall Mount.

Straight Arm Mount

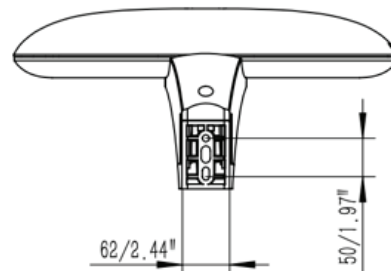
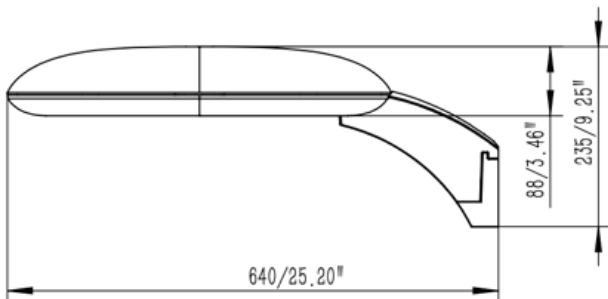
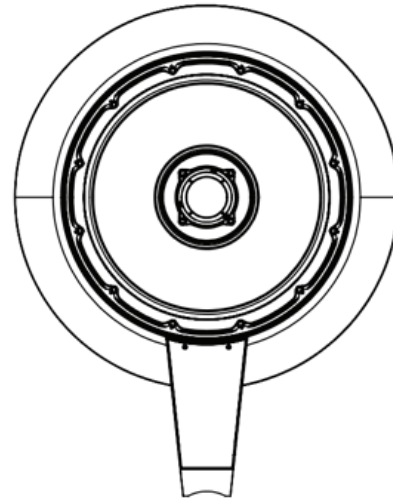
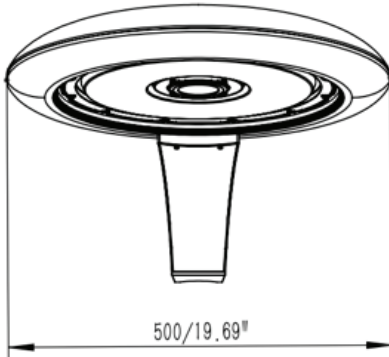


Wall Mount



DIMENSIONS

Straight Arm:



ACCESSORY OPTIONS



Motion Sensor



Houseshield



Button-on Photocell



Surge Protect Device



Twist-Lock Photocell



Emergency Backup