

Project Name:	Fixture Type:
Complete Catalog #:	Date:
Comments:	

# NIGHT OWL III SELECTABLE WALL PACK



**Small size:**  
27W/45W/62W



**Large size:**  
70W/100W



The **Night Owl III Selectable Wall Pack** has a classic non-cutoff design with exceptional performance. These CCT- and wattage-selectable fixtures are an excellent LED replacement for HID wall packs up to 400W. Each model can be selected between 4 lumen outputs and 3 CCTs, replacing up to 12 standard models. With an all aluminum alloy housing and non yellowing glass or polycarbonate lens, these fixtures are designed to last a life time. Premium driver & chip set, insures 10 years or 50,000 hours of maintenance free operation.

## FEATURES

- 3G vibration tested according to ANSI C136.31
- Sealed die-cast aluminum housing provides excellent thermal management
- Each model is 3 CCT-selectable and 4 wattage-selectable
- Up to 12,400 lumens and 100W
- Glass or UV stabilized PC prismatic lens
- 1-10V dimmable
- Optional photocell, occupancy sensor, and/or emergency battery back up

## APPLICATIONS

- Hotels
- Restaurants
- Schools
- Offices
- Warehouses
- Other commercial buildings



# NIGHT OWL III SELECTABLE WALL PACK

## ORDERING INFORMATION

PART NUMBER	WATTS	VOLTAGE	LUMENS (@4000K)	CCT	DIMMABLE	MIN ORDER QTY	US STOCK
ECO-SEM-MWP14-27W27VDDK-WP	27W/21W/15W/10W	120-277 VAC	3500/2800/2200/1400	3000K/4000K/5000K	1-10V	2	Yes
ECO-SEM-MWP14-45W27VDDK-WP	45W/34W/26W/18W	120-277 VAC	5500/4300/3500/2500	3000K/4000K/5000K	1-10V	2	Yes
ECO-SEM-MWP14-62W27VDDK-WP	62W/52W/39W/26W	120-277 VAC	7800/6600/5300/3700	3000K/4000K/5000K	1-10V	2	Yes
ECO-SEM-MWP14-70W27VDDK-WP	70W/54W/42W/28W	120-277 VAC	9200/7400/6000/4300	3000K/4000K/5000K	1-10V	2	Yes
ECO-SEM-MWP14-100W27VDDK-WP	100W/78W/61W/40W	120-277 VAC	12500/10200/8600/6100	3000K/4000K/5000K	1-10V	2	Yes

## TECHNICAL SPECIFICATIONS

System Efficacy	up to 154 lm/W
Luminous Flux	up to 12,500 lumens, field-selectable
CCTs	3000K/4000K/5000K, field-selectable
CRI	70+
Input Voltage	120-277 VAC
Power Frequency	50-60 Hz
Power Factor	>90%
THD	<20%
Certifications	cULus, FCC
Environment	Wet location listed, 3G vibration tested
Lifetime (L70)	50,000 hours
Warranty	10 years or 50,000 hours non-prorated
Operating Temperature	-40°F - 104°F
Housing Color	Dark Bronze, Black, White
Dimmable	1-10V
Optional Features	Photocell, Occupancy Sensor, Emergency Battery Backup, PC or Glass Diffuser

\*Data is based upon tests performed in a controlled environment and representative performance. Actual performance can vary depending on operating conditions. Specifications are subject to change without notice. All specifications are nominal unless otherwise noted.

\*IES files provided on request.

# NIGHT OWL III SELECTABLE WALL PACK

## MOUNTING

The external portable mounting plate makes installation easy and simple. It prevents opening the fixture or drilling into the housing, ensuring the housing remains waterproof.”



## CONTROLS

Control Options: 1-10V. Optional occupancy sensor, photocell, and emergency battery backup.



### Photocell (Option)

Optional photocell allows for security and energy saving



### Emergency (Option)

8W Emergency battery, 900lm, 90min.  
Only suitable for 27W, 45W, 62W, 70W



### Occupancy sensor (Optional)

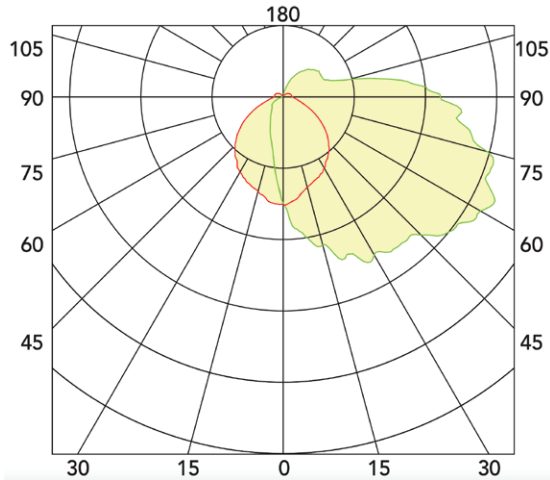


# NIGHT OWL III SELECTABLE WALL PACK

## ACCESSORIES

Occupancy sensor, photocell, emergency battery backup, PC or glass prismatic diffuser.

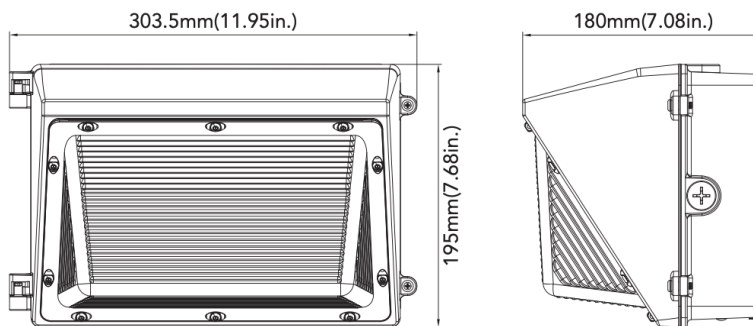
## PHOTOMETRICS



## DIMENSIONS

unit: mm/inch

**Small size:**  
**27W/45W/62W**



**Large size:**  
**70W/100W**

