

Project Name:	Fixture Type:
Complete Catalog #:	Date:
Comments:	

BETA LUMA FLOOD FIXTURES



The **Beta Luma Flood Fixtures** were designed to be used in commercial & industrial applications to accent walls & trees, and multi-use areas where security lighting is crucial. These exceptionally durable fixtures have a rugged aluminum billet housing that is coated with an epoxy finish that is designed for the harshest environments. The lens has a Silicone rubber seal to protect the inner components from dust, and a waterproof IP65 rating that will insure these fixtures last for decades. These fixtures provide up to 150 lm/W using a Meanwell Driver, making them a high powered, dependable, and efficient performer. With different light distribution options and accessories, these fixtures are perfect for the professional specifier. Optional trunnion, knuckle mount, pole, and slip fitter brackets available for any application. These fixtures are warranted for 10 years or 50,000 hours, non-prorated.

FEATURES

- System Efficiency - up to 150 lm/W
- Luminous Flux - up to 50,000 lumens
- Input Voltage - 120-277 or 347-480 VAC
- Rebate Eligible - Yes, DLC Premium / Contact for details
- Warranty - 10 Years or 50,000 Hours Non-Prorated
- Housing - Rugged die cast aluminum that is pre-treated and powder-coated
- Optics - NEMA Types: 7H x 6V or 4H x 4V
- Lifetime (L70) - 100,000 hours

APPLICATIONS

- Parking lots
- Side walks
- Campuses
- Car dealerships
- Office buildings
- Driveways
- Signage
- Landscape
- Building accent lighting



ORDERING INFORMATION

PART NUMBER	SYSTEM WATTS	VOLTAGE	DIST.TYPE	CRI	LUMENS	LPW	DIMMABLE	MIN ORDER QTY	US STOCK
ECO-MFD-08-15W-BL	15W	120-277VAC	7Hx6V	70	2000	133 lm/W	non-dimming	2	Yes
ECO-MFD-08-27W-BL	27W	120-277VAC	7Hx6V	70	3700	137 lm/W	non-dimming	2	Yes
ECO-MFD-08-45W-BL	45W	120-277VAC	7Hx6V	70	6150	137 lm/W	non-dimming	2	Yes
ECO-MFD-08-60W-BL	60W	120-277 or 347-480VAC	7Hx6V	70	7800	130 lm/W	non-dimming	2	Yes
ECO-MFD-08-70W-BL	70W	120-277 or 347-480VAC	7Hx6V	70	9400	134 lm/W	1-10V or non-dimming	2	Yes
ECO-MFD-08-100W-BL	100W	120-277 or 347-480VAC	7Hx6V	70	13500	135 lm/W	1-10V or non-dimming	2	Yes
ECO-MFD-08-135W-BL	135W	120-277 or 347-480VAC	4Hx4V or 7Hx6V	70	18000	133 lm/W	1-10V or non-dimming	2	Yes
ECO-MFD-08-200W-BL	200W	120-277 or 347-480VAC	4Hx4V or 7Hx6V	70	30000	150 lm/W	1-10V or non-dimming	2	Yes
ECO-MFD-08-250W-BL	250W	120-277 or 347-480VAC	4Hx4V or 7Hx6V	70	37500	150 lm/W	1-10V or non-dimming	2	Yes
ECO-MFD-08-350W-BL	350W	120-277 or 347-480VAC	4Hx4V or 7Hx6V	70	50000	141 lm/W	1-10V or non-dimming	2	Yes

TECHNICAL SPECIFICATIONS

System Efficacy	150 lm/W
Luminous Flux	up to 50,000 lumens
CCTs	3000K, 3500K, 4000K, 5000K
NEMA Distribution Types	4Hx4V or 7Hx6V
CRI	70+
Input Voltage	120-277 or 347-480VAC
Power Frequency	50-60 Hz
Power Efficiency	>95%
Power Factor	>0.90
THD	<20%
Certifications	cULus, DLC Premium, FCC
Environment & IK Rating	Wet location listed, IP65, IK 10 Rating
Lifetime (L70)	100,000 hours
Warranty	10 years or 50,000 hours non-prorated
Operating Temperature	-40°F - +104°F
Mounting Options	Knuckle, Slipfitter, Yoke, Trunnion
Housing Color	Dark Bronze Standard, Black, White
Dimmable	1-10V or non-dimmable

*Data is based upon tests performed in a controlled environment and representative performance. Actual performance can vary depending on operating conditions. Specifications are subject to change without notice. All specifications are nominal unless otherwise noted.

*IES files provided on request.

MOUNTING ACCESSORIES - ORDER SEPARATELY

1/2" Knuckle Mount (15W/27W/45W/60W)



Trunnion Mount (15W/27W/45W/60W/250W/350W)



Yoke Mount (70W/100W/135W/200W)



Slipfitter Mount (70W/100W/135W/200W)



CONTROLS

Control Options: 1-10V / Photocell

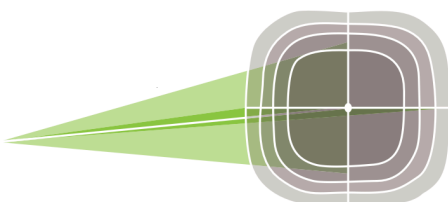
Photocell No. PC-JL-120-277V

USE: Photocell is field installed or pre-installed in factory by requesting

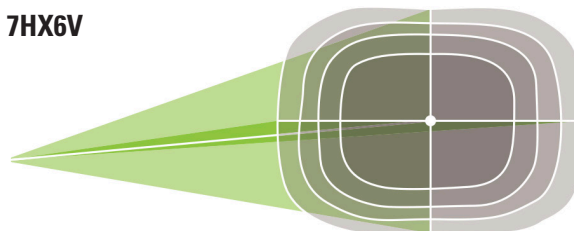


PHOTOMETRICS

4HX4V: only suitable for 135W, 200W, 250W, 350W

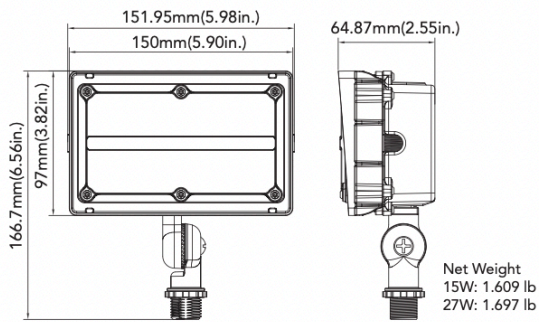


7HX6V

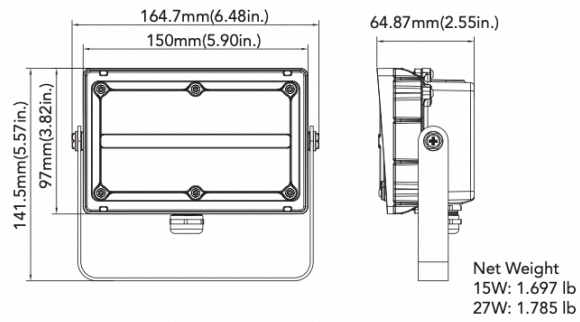


DIMENSIONS

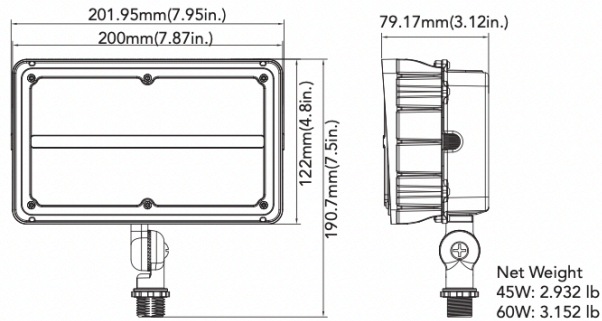
15W & 27W (Knuckle Mount)



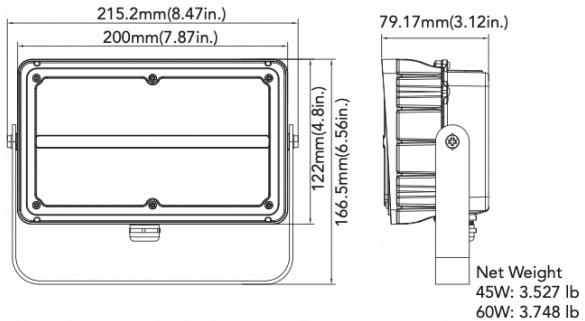
15W & 27W (Trunnion Mount)



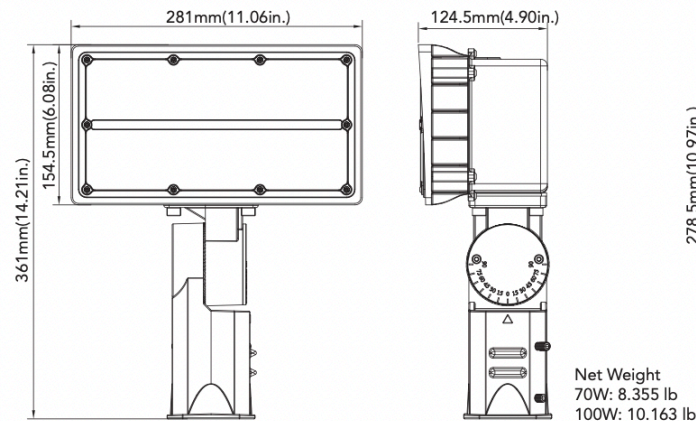
45W & 60W (Knuckle Mount)



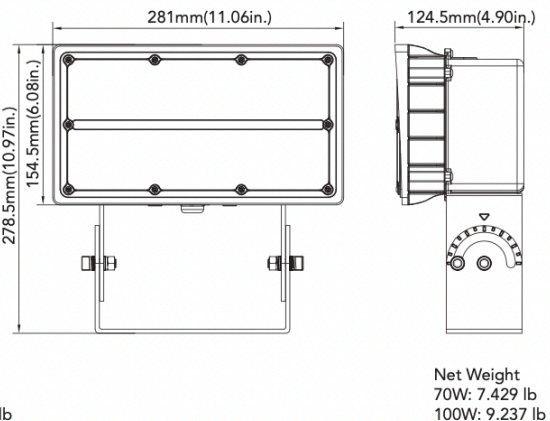
45W & 60W (Trunnion Mount)



70W & 100W (Slipfitter Mount)

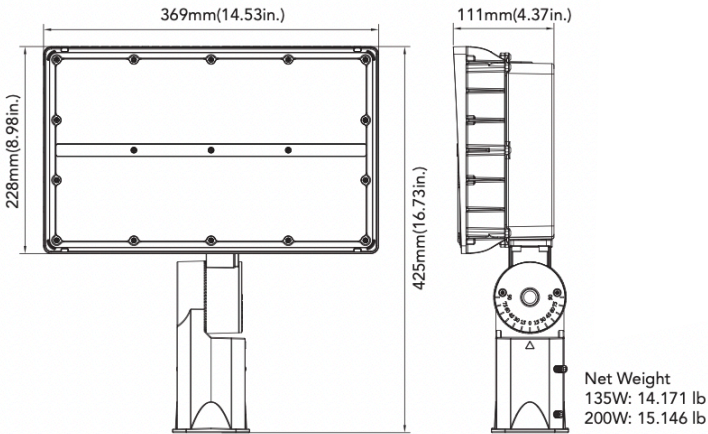


70W & 100W (Yoke Mount)

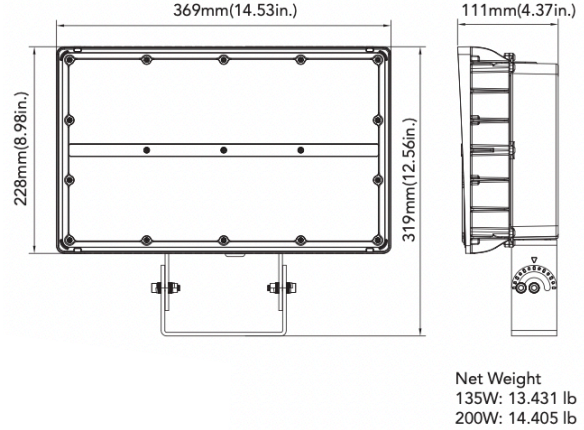


DIMENSIONS

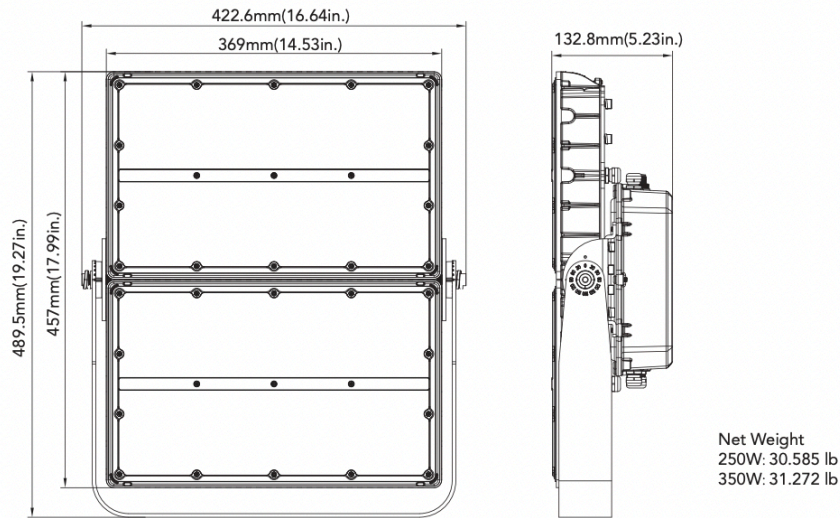
135W & 200W (Slipfitter Mount)



135W & 200W (Yoke Mount)



250W & 350W (Trunnion Mount)



EPA

Item							
	1	2 @90°	2 @120°	2@180°	3 @90°	3 @120°	4 @90°
70W/100W	0.2885	0.6097	0.7475	0.577	0.8982	0.8196	0.8982
135W/200W	0.3868	0.8125	0.9973	0.7736	1.1993	1.0874	1.1993
250W/350W	0.536	1.061	1.278	1.072	1.597	1.803	1.597