

Project Name:	Fixture Type:
Complete Catalog #:	Date:
Comments:	

METEOR III AREA LIGHT FIXTURE



The **Meteor III Area Light Fixture** is uniquely designed to provide a sleek low profile that will dramatically upgrade the appearance of any parking lot. With its patented optics and multiple light distribution types, these fixtures provide a very uniform light distribution for any parking lot application. The IP65, die cast, all aluminum housing comes with a durable powder coat finish to ensure a long life in harsh environments. Patented thermal management design combined with a premium Sosen or Meanwell driver insures that this fixture will have zero maintenance for at least 10 years.

FEATURES

- LED Type - Seoul SMD3030
- System Efficiency - 140 lm/W
- Up to 42,000 lumens
- Power Supply - Meanwell or Sosen
- Input Voltage - 100-277VAC or 200-500VAC Options
- Rebate Eligible - Yes, DLC Premium for maximum rebates, Contact for details
- Warranty - 10 Years or 50,000 Hours Non-Prorated

APPLICATIONS

- Parking Areas
- Retail
- Office
- Medical



METEOR III AREA LIGHT FIXTURE

ORDERING INFORMATION

PART NUMBER	WATTAGE	LUMENS	VOLTAGE	DIMENSIONS	CCT	MIN. ORDER	US STOCK
ECO-SBC8B-100W-120V-50K-P-AM/DM/YM	100W	14,000	100-277V or 200-500VAC	20.20" x 13.11" x 3.19"	4000K, 4500K, 5000K, 5700K	2	Yes
ECO-SBC8B-150W-120V-50K-P-AM/DM/YM	150W	21,000	100-277V or 200-4500VAC	20.20" x 13.11" x 3.19"	4000K, 4500K, 5000K, 5700K	2	Yes
ECO-SBC8B-200W-120V-50K-P-AM/DM/YM	200W	28,000	100-277V or 200-500VAC	26.93" x 13.11" x 3.54"	4000K, 4500K, 5000K, 5700K	2	Yes
ECO-SBC8B-300W-120V-50K-P-AM/DM/YM	300W	42,000	100-277V or 200-500VAC	26.93" x 13.11" x 3.54"	4000K, 4500K, 5000K, 5700K	2	Yes

TECHNICAL SPECIFICATIONS

LED Type	Seoul SMD3030
Beam Angle	Types I, II, III, IV, V
CRI	>80
Efficacy	up to 140 lm/W
IP Rating	IP65
Power Supply	Sosen / Meanwell
Power Frequency	50-60Hz
Power Efficiency	>95%
Power Factor	>0.90
Certificates	UL, cUL, DLC Premium, FCC
Fixture Material	Aluminum Alloy
Rated Life (L70)	50,000 Hours
Warranty	10 Years or 50,000 Hours Non-Prorated
Operating Temperature	-40 to 113 F
Luminaire Gross Weight	N/A
Optional Mounting	Slip fitter / Arm mount / Yoke mount / Direct bolt bracket
EPA	N/A
Housing Color	Bronze, Black, White, Gray

*Data is based upon tests performed in a controlled environment and representative performance. Actual performance can vary depending on operating conditions. Specifications are subject to change without notice. All specifications are nominal unless otherwise noted.

*IES files provided on request.

METEOR III AREA LIGHT FIXTURE

MOUNTING ACCESSORIES - ORDER SEPARATELY



Slip fitter



Arm mount



Yoke mount



Direct bolt bracket

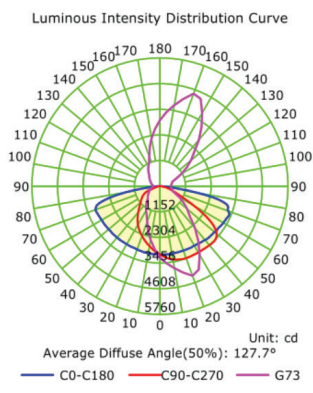
CONTROLS

Control Options: Photocell / Motion Sensor / 1-10V Dimmable

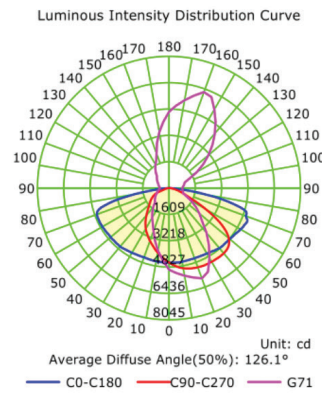
ACCESSORIES

Photocell, 10kV surge protection, motion sensor.

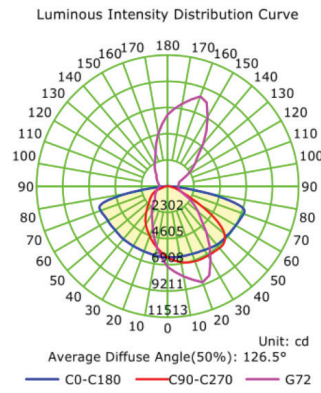
PHOTOMETRICS



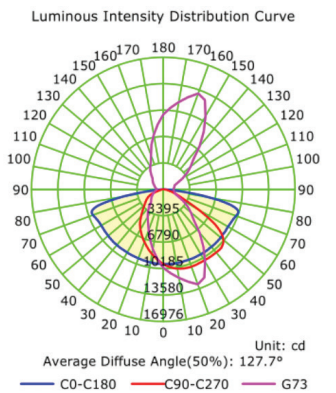
100W



150W



200W

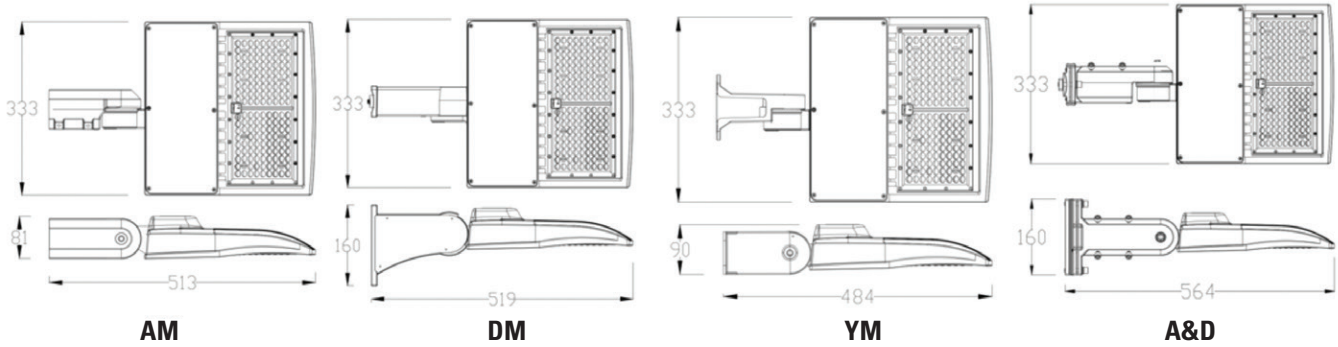


300W

METEOR III AREA LIGHT FIXTURE

DIMENSIONS

1. 100W & 150W



2. 200W & 300W

