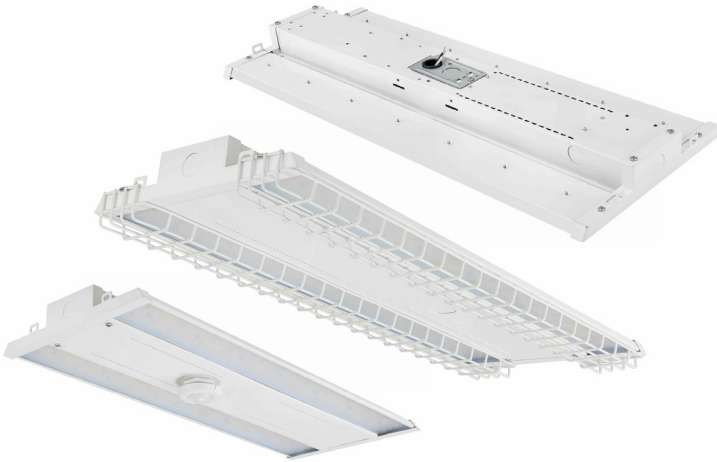


Project Name:	Fixture Type:
Complete Catalog #:	Date:
Comments:	

METEOR III TUNABLE LINEAR HIGH BAY



The Meteor III Tunable Linear High Bay has been designed for warehouse, manufacturing, retail, and gymnasium applications, with ceiling heights between 20-60 feet. These high performance linear fixtures are both wattage- and CCT-switchable, dramatically reducing SKU counts and inventory costs. The fixture can be switched between 4 wattages and 2 CCTs, and provides up to 154 Lumens/W efficiency, with an IP66 rating. These fixtures can be boom mounted, surface mounted, & daisy-chained end-to-end, providing simple and flexible installation options. The Meteor III can be controlled with Zigbee, Dali, and Daintree remote controllers or DMX512 System. Daylight sensor dimming control, occupancy sensor, and 1-10V dimming. The Meteor III also has a high quality aluminum housing, gasketed polycarbonate lens optics, and premium driver. These fixtures have been built to last for a lifetime and are warranted to last more than 10 years or 50,000 hours.

FEATURES

- 4 wattage-switchable and 2 CCT-switchable, replacing up to 8 SKUs
- System Efficiency: up to 154 lm/W
- Up to 30,000 lumens
- Input voltage: 120-277 VAC
- Rebate Eligible - Yes, DLC Listed / Contact for details
- Warranty - 10 Years or 50,000 Hours Non-Prorated
- IP66 Rated

APPLICATIONS

- Warehouse
- Manufacturing
- Retail
- Gymnasiums



METEOR III TUNABLE LINEAR HIGH BAY

ORDERING INFORMATION

PART NUMBER	SYSTEM WATTS -SWITCHABLE	LUMENS -SWITCHABLE	VOLTAGE	CCT - SWITCHABLE	LPW	MIN ORDER QTY	US STOCK
ECO-SEM-MLH06-210W27VDDK-LHB	210W / 180W / 130W / 90W	30,000 / 25,000 / 20,000 / 13,600	120-277 VAC	4000K / 5000K	Up to 154 lpW	1	Yes

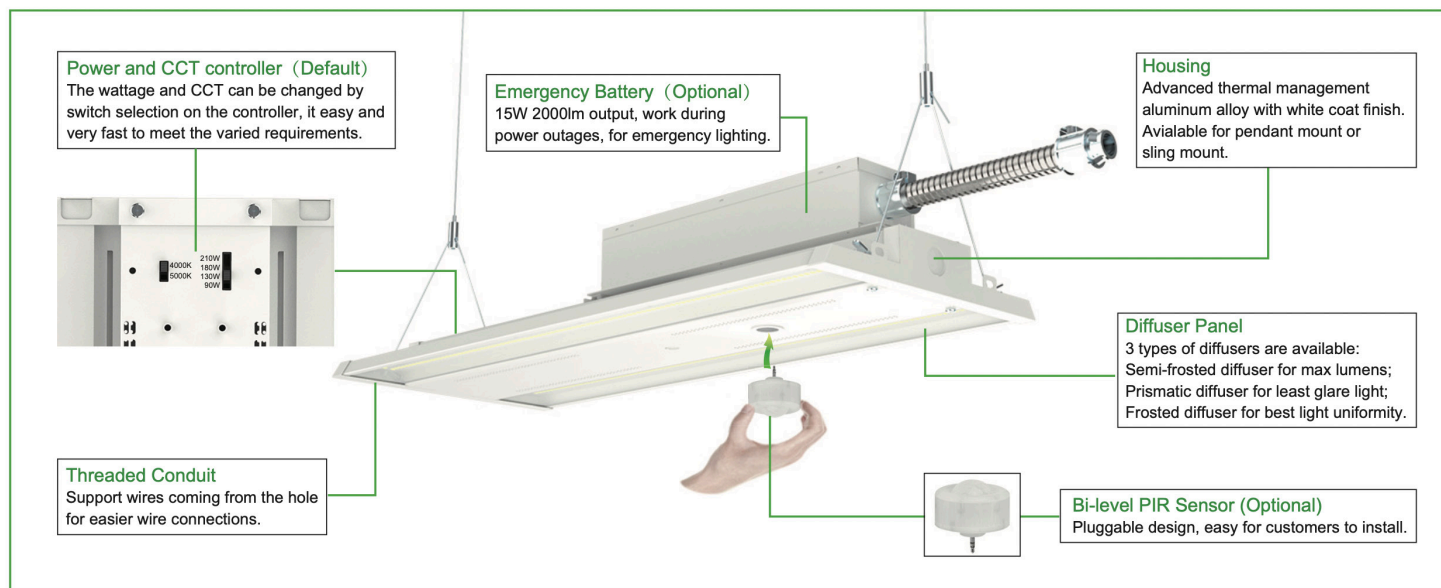
TECHNICAL SPECIFICATIONS

System Efficacy	Up to 154 lm/W
Luminous Flux	up to 30,000 lumens - switchable
CCTs	4000K / 5000K switchable
CRI	70+
Input Voltage	120-277 VAC
Power Efficiency	>95%
Power Frequency	50-60 Hz
Power Factor	>0.95
Certifications	UL , FCC, DLC,
Environment	IP66 rated, damp location listed
Lifetime (L70)	>50,000 hours
Warranty	10 years or 50,000 hours non-prorated
Surge Protection	Optional
Operating Temperature	-40° to 122° F
Mounting Options	Steel wire rope, conduit pendant, surface mounting
Dimmable	1-10V
Housing Material	Die-cast aluminum alloy with powder-coat finish
Options	3 optic lenses, wire guard, emergency battery, pendant hanger, bi-level sensor, and surge protection
Net Luminaire Weight	5.98 lbs (210W switchable model)

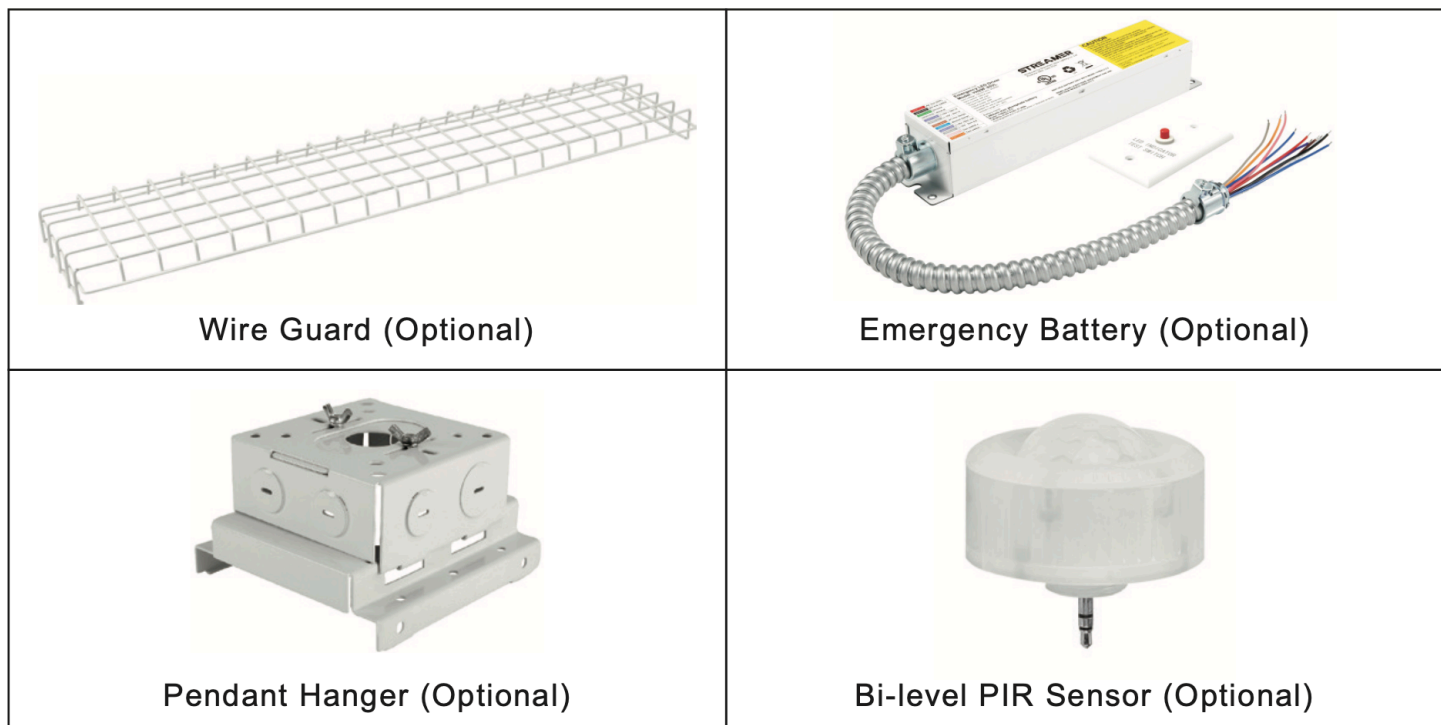
*Data is based upon tests performed in a controlled environment and representative performance. Actual performance can vary depending on operating conditions. Specifications are subject to change without notice. All specifications are nominal unless otherwise noted.

*IES files provided on request.

MOUNTING OPTIONS



ACCESSORIES



METEOR III TUNABLE LINEAR HIGH BAY

DIFFUSER OPTIONS



Semi-frosted Diffuser (High efficacy)



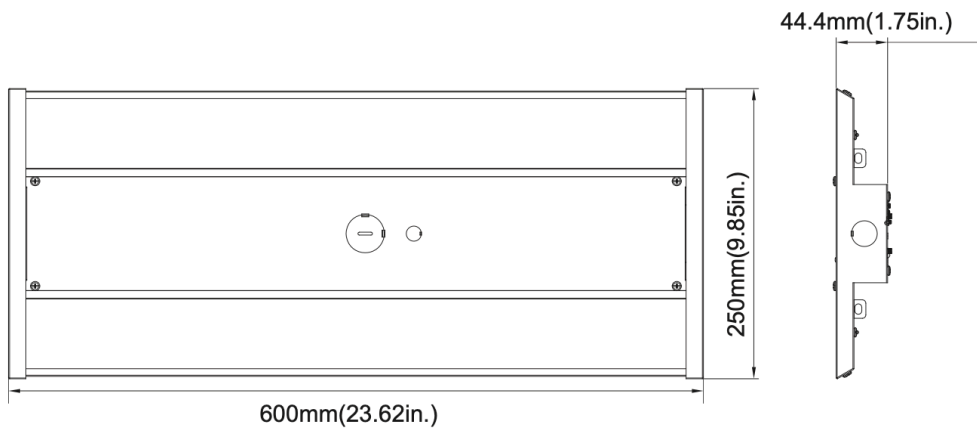
Prismatic Diffuser (Low glare)



Frosted Diffuser (Soft light)

DIMENSIONS

unit: inch/mm Net Weight: 210W: 5.957 lbs



PHOTOMETRICS

General

