

Project Name:	Fixture Type:
Complete Catalog #:	Date:
Comments:	

## 8FT T8 TYPE B TUBE



The **8FT T8 Type B Tube** utilizes an internal driver as an LED replacement for fluorescent 8FT T8 lamps. These ballast-bypass lamps are ideal for shop lights, offices, hospitality, malls, warehouses, parking lots, or other 8FT T8 luminaires. The double-ended input lamps have single-pin FA8 base contacts, and are cULus listed, cULus classified, and NSF certified.

### FEATURES

- cULus Listed
- cULus Classified
- NSF Certified
- RoHS Compliant
- 100-277VAC input
- Single-pin, FA8 base type
- Suitable for damp or dry environments
- No IR, no UV, and minimal heat
- 10 Year or 50,000 hour non-prorated warranty

### APPLICATIONS

- 8' T8 shop lights
- 8' T8 cove
- 8' T8 wraps
- 8' T8 low bays
- 8' T8 high bays
- 8' T8 parking fixtures
- Other 8' T8 luminaires



# 8FT T8 TYPE B TUBE

## ORDERING INFORMATION

MODEL NUMBER	LENGTH	POWER	LUMENS	VOLTAGE	CRI	CCT	BEAM ANGLE (DEG)	MIN. ORDER QTY.	US STOCK
ECO-ZY-T8-30W2400-BINS	8'	30W	4150	100-277VAC	80+	3000-5000K	120°	6	Y
ECO-ZY-T8-40W2400-BINT	8'	40W	5320	100-277VAC	80+	3000-5000K	120°	6	Y

## TECHNICAL SPECIFICATIONS

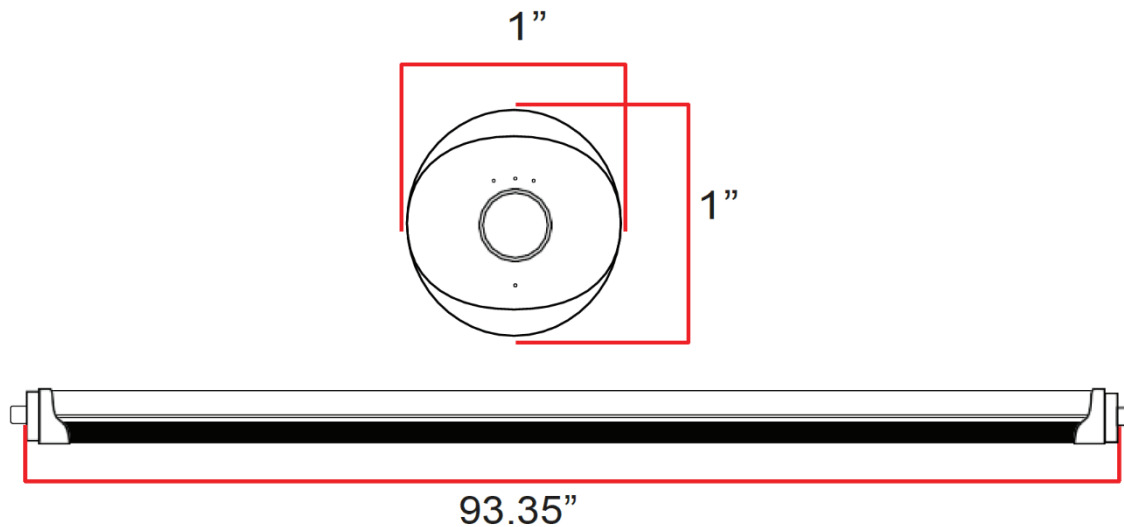
Optical Distributions	120°
CRI	80+
Efficacy	>130 lm/W
Input Voltage	100 - 277 VAC
Power Frequency	50 - 60 Hz
Power Factor	>0.99
Certifications	UL Listed UL Classified NSF Certified RoHS Compliant FCC
Housing Material	Aluminum
Rated Life (L70)	50,000 hours
Warranty	10 Years or 50,000 hour non-prorated
Operating Temperature	-4°F to 122°F

\*Data is based upon tests performed in a controlled environment and representative performance. Actual performance can vary depending on operating conditions. Specifications are subject to change without notice. All specifications are nominal unless otherwise noted.

\*IES files provided on request.

# 8FT T8 TYPE B TUBE

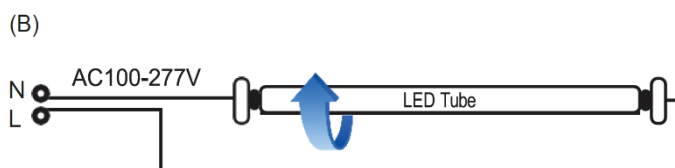
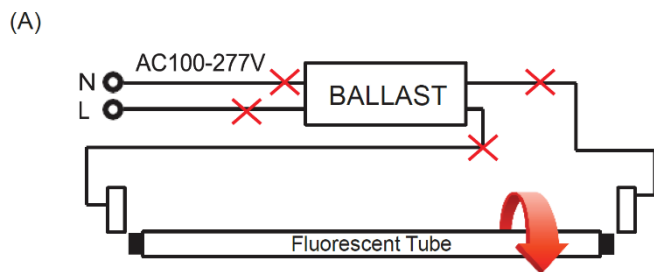
**DIMENSIONS** Unit: inch



## INSTALLATION INSTRUCTIONS

### Retrofit Procedure:

1. Turn OFF the power to the fixture at the breaker panel before installation.
2. Open the diffuser in the light fixture.
3. Remove the fluorescent tubes and dispose of them properly, as they may contain mercury.
4. Cut the wires as shown in diagram (A).
5. Make a new wire connection to the branch circuit, as shown in diagram (B).
6. Replace the cover on the wiring channel.
7. Install the LED tube and close the diffuser.
8. Switch ON the power to the fixture at the breaker panel.



## CAUTION

- Risk of fire: do not install this lamp in a pre-heated luminaire.
- Loose or damaged end caps and/or lamp holders need to be replaced before installation.
- Risk of electric shock: perform the installation with gloves.
- Use only in place of fluorescent lamps specified on the label.
- These lamps are not intended for use with emergency fixtures, emergency exit lights, or battery backup devices.
- If the lamp or luminaire exhibits undesirable operation (i.e., buzzing, flickering, etc.), immediately turn off the power, remove the lamp from the luminaire, and contact the manufacturer.
- Do not install these LED tubes into a luminaire containing a ballast and/or starter. Ballast and starters must be removed prior to installation.
- Do not do any large scale installations before testing a sample.