

Project Name:	Fixture Type:
Complete Catalog #:	Date:
Comments:	

## APOLLO G3 SPORTS LIGHT



**The Apollo G3 Sports Light** is the ideal LED solution for professional outdoor athletic sites, with features designed for municipal, high school, collegiate and semi-professional outdoor sports venues. A large variety of mounting hardware options make it easy to install and maintain, reducing labor costs. Multiple beam angles are available, including narrow, wide and medium. These state-of-the-art luminaires boast IP66 rating, 3G vibration rating, up to 3000 hour salt spray testing, efficacy up to 150 lm/W, and flicker free to less than 1%. The fixture is available up to 1800W and 252,000 lumens, and is offered with integral or remote driver operation, and a laser aiming device. The luminaires are dark-sky friendly with full cut off.

### FEATURES

- LED Type - Osram Opto
- System Efficiency - up to 150 lm/W
- IP66 Rated
- 3G Vibration Rated
- Up to 3000 hour salt spray testing
- Flicker Free < 1%
- 0-10V / DALI / WIFI / Zigbee / DMX
- Laser aiming device
- Input Voltage - 100-277VAC or 200-480VAC options
- Rebate Eligible - Yes, DLC Listed, Contact for details
- Warranty - 10 Years or 50,000 Hours Non-Prorated
- TLCI>90, Broadcast Ready for >1000fps, HD | 4K | 8K, enables TV broadcasters to film super-slow-motion replays with a flicker factor <1%

### APPLICATIONS

- Indoor Stadium
- Outdoor Stadium
- Ports
- Airport Apron Lighting
- Large Area Illumination
- Tower Lighting
- Sports Fields, Arenas, and Facilities



## ORDERING INFORMATION

PART NUMBER	WATTAGE	LUMENS	VOLTAGE	CRI	CCT	MIN ORDER QTY	US STOCK
ECO-OKIA-AFL09-500W-G3SL-12V	500W	70,000	100-277VAC	70/80/90 Optional	2200K/3000K/4000K/5000K/5700K	1	YES
ECO-OKIA-AFL09-500W-G3SL-24V	500W	70,000	200-480VAC	70/80/90 Optional	2200K/3000K/4000K/5000K/5700K	1	YES
ECO-OKIA-AFL09-750W-G3SL-12V	750W	112,500	100-277VAC	70/80/90 Optional	2200K/3000K/4000K/5000K/5700K	1	YES
ECO-OKIA-AFL09-750W-G3SL-24V	750W	112,500	200-480VAC	70/80/90 Optional	2200K/3000K/4000K/5000K/5700K	1	YES
ECO-OKIA-AFL09-1200W-G3SL-12V	1200W	168,000	100-277VAC	70/80/90 Optional	2200K/3000K/4000K/5000K/5700K	1	YES
ECO-OKIA-AFL09-1200W-G3SL-24V	1200W	168,000	200-480VAC	70/80/90 Optional	2200K/3000K/4000K/5000K/5700K	1	YES
ECO-OKIA-AFL09-1800W-G3SL-12V	1800W	252,000	100-277VAC	70/80/90 Optional	2200K/3000K/4000K/5000K/5700K	1	YES
ECO-OKIA-AFL09-1800W-G3SL-24V	1800W	252,000	200-480VAC	70/80/90 Optional	2200K/3000K/4000K/5000K/5700K	1	YES

## TECHNICAL SPECIFICATIONS

LED Type	Osram Opto
Driver Type	Inventronics
Optical Distributions	NB/MB/WB/12°/15°/25°/ 50°/20°x40°/20°x105°
CRI	70/80/90 Optional
Efficacy	Up to 150 Lm/W
IP Rating	IP66 Rated
Input Voltage	100-277VAC or 200-480VAC
Power Frequency	50-60 Hz
Power Efficiency	>93%
Power Factor	>0.9 at Max Load
THD	<15%
Flicker Factor	<1%
Certifications	UL, DLC, FCC
Impact Rating	IK10
Fixture Material	Finishing powder coated AL1070 pure aluminum for marine salt protection and swimming pool applications.
Rated Life (L70)	>100,000 Hours
Warranty	10 Years, 50,000 Hours Non-Prorated
Operating Temperature	-40° - 122°F
Luminaire Gross Weight	500W: 33.1 lbs / 750W: 54.1 lbs / 1200W: 54.1 lbs / 1800W: 81.8W
Optional Mounting	Yoke / Knuckle Assembly / Slip Fitter
Input Surge Protection	10kV / 20 kV options

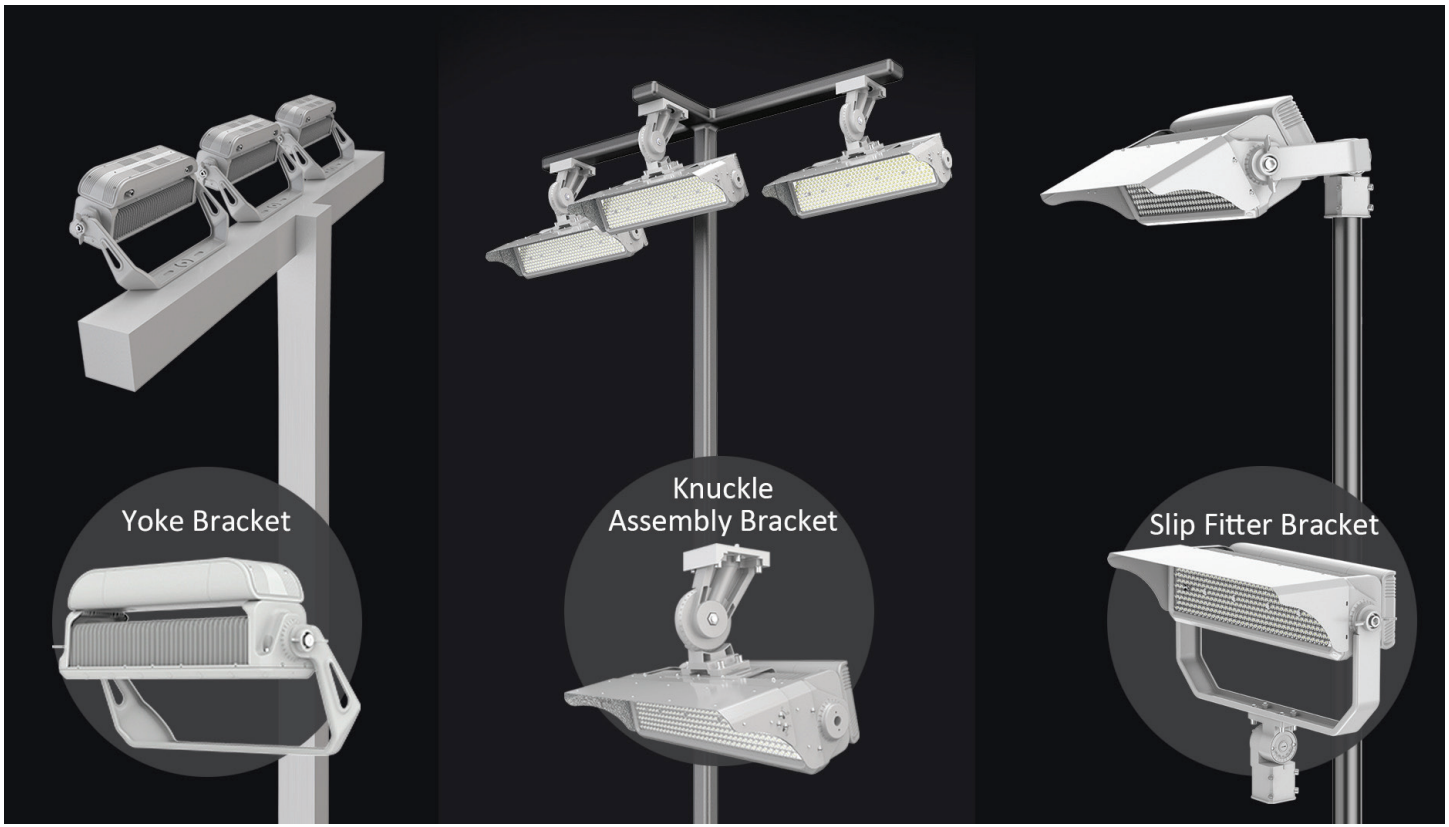
\*Data is based upon tests performed in a controlled environment and representative performance.

Actual performance can vary depending on operating conditions.

Specifications are subject to change without notice. All specifications are nominal unless otherwise noted.

\*IES files provided on request.

## MOUNTING ACCESSORIES - ORDER SEPARATELY



## CONTROLS

Control Options: 0-10V / DALI / WIFI / Zigbee / DMX

Scalable control solution enables customization with real-time overrides. Supports Art-Net, DMX RDM, and DALI protocols.

## WIND RESISTANCE

### Frontal EPA (Wind Surface):

500W: 0.14 m<sup>2</sup> / 1.55ft<sup>2</sup>

750W/1200W: 0.19m<sup>2</sup> / 2.15ft<sup>2</sup>

1800W: 0.38m<sup>2</sup> / 4.13ft<sup>2</sup>

### Side EPA (Wind Surface):

500W: 0.08m<sup>2</sup> / 0.81ft<sup>2</sup>

750W/1200W: 0.08m<sup>2</sup> / 0.89ft<sup>2</sup>

1800W: 0.15m<sup>2</sup> / 1.56ft<sup>2</sup>

\*Weight may vary depending on mounting bracket, visor, and driver box selection.

\*EPA may vary depending on the aiming angle and the visor.

## ACCESSORIES



Rotatable Laser Pointer



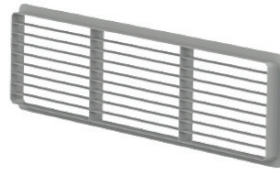
Rotatable Visor



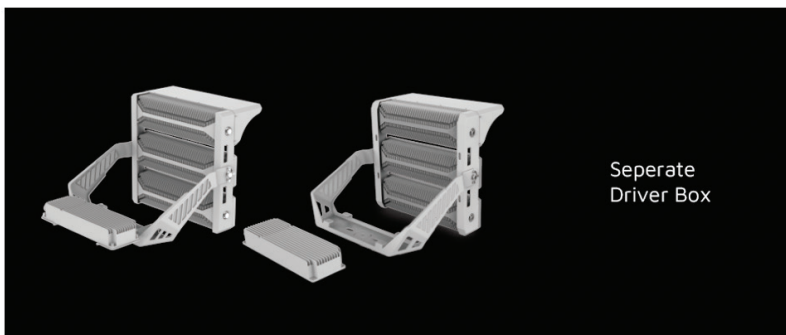
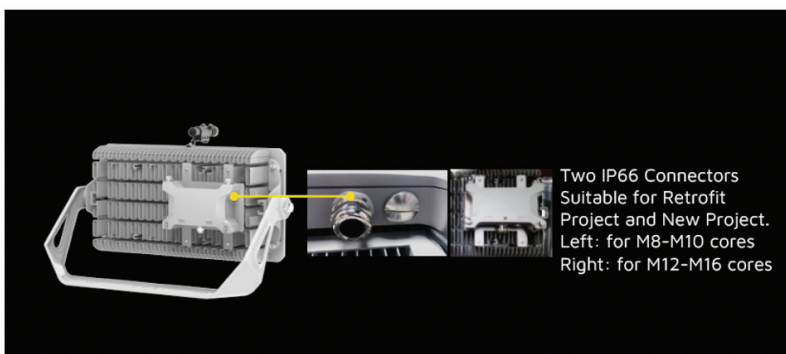
Glass



Visor

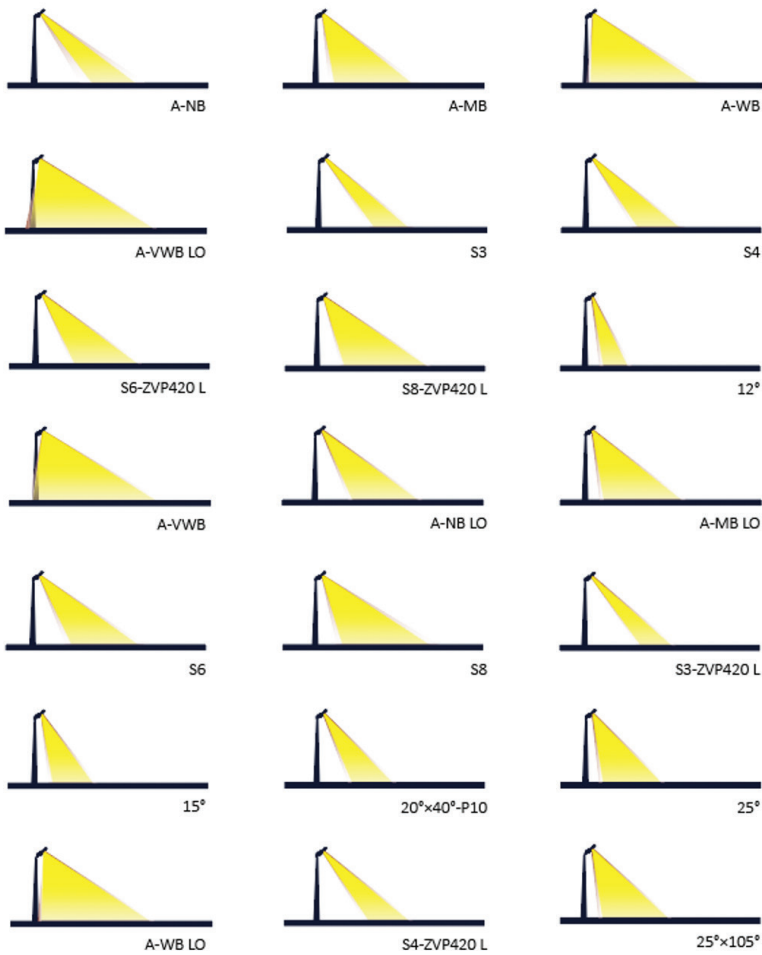


Grill



# APOLLO G3 SPORTS LIGHT

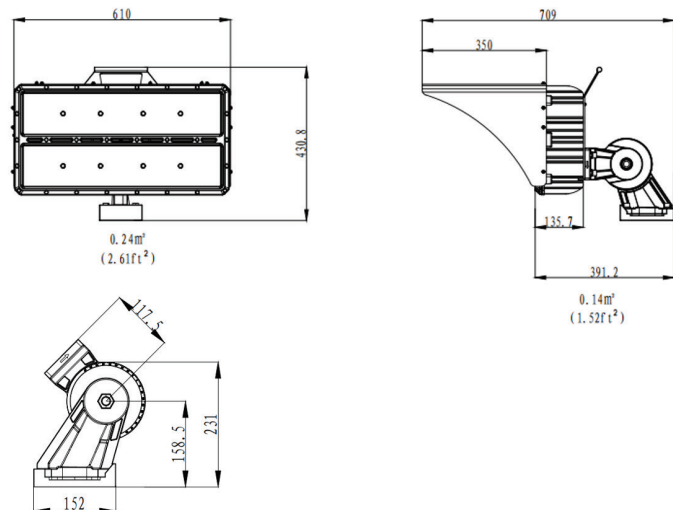
## PHOTOMETRICS



## DIMENSIONS

### Knuckle Assembly Bracket (without visor)

Frontal EPA (Wind Surface): 0.24m<sup>2</sup> (2.58ft<sup>2</sup>)  
Net Weight(without driver) : 17kgs (37.47lbs)



### Yoke Bracket(without visor)

Frontal EPA (Wind Surface): 0.288m<sup>2</sup> (3.10ft<sup>2</sup>)  
Net Weight(without driver) : 19.5kgs (42.99lbs)

