

Project Name:	Fixture Type:
Complete Catalog #:	Date:
Comments:	

RED WHITE EXIT SIGN



The Red White Exit Sign is a durable emergency exit sign. It provides 1W of red LED backlight output for the classic red letter exit sign design. The battery backup provides more than 90 minutes of emergency operation for safe building egress and code compliance. The 5W input wattage recharges the unit within 24 hours of battery backup use. Mounting options include back-to-wall mount, side-to-wall mount, or top-to-ceiling mount.

FEATURES

- Suitable for wall and ceiling mount applications.
- 120/277VAC Dual voltage operation.
- Maximum 24 hours for full recharge time.
- Includes test switch and charge indicator.
- Fast and easy installation.
- >90 minute operation in emergency mode.

APPLICATIONS

- Offices
- Conference Rooms
- Retail
- Restaurants
- Hallways
- Stairwells



RED WHITE EXIT SIGN

ORDERING INFORMATION

MODEL #	INPUT POWER	INPUT CURRENT	VOLTAGE	RECHARGE TIME	EMERGENCY DURATION	MIN. ORDER QUANTITY	US STOCK	DIMENSIONS (INCHES)
ECO-LS-ES037	5W	0.04A	120/277VAC	24 Hrs	>90 min	6	Y	11.73"x7.36"x1.77"

TECHNICAL SPECIFICATIONS

Input Wattage	5W
Input Current	0.04A
Recharge Time	24 hours
Input Voltage	120/277 VAC
Power Frequency	50-60 Hz
Warranty	10 Years or 50,000 hours non-prorated
Output Wattage	1W
Lead-Acid Battery	1.2V / 800mAh
Emergency Operation Duration	>90 minutes

*Data is based upon tests performed in a controlled environment and representative performance. Actual performance can vary depending on operating conditions. Specifications are subject to change without notice. All specifications are nominal unless otherwise noted.

*IES files provided on request.

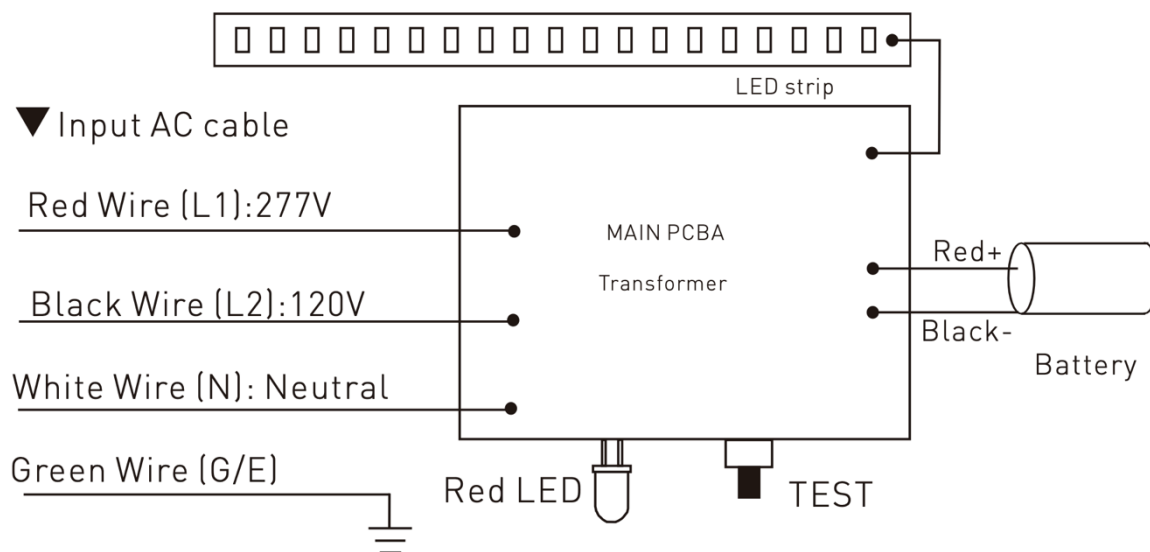
DIMENSIONS

Unit: inch



RED WHITE EXIT SIGN

WIRING DIAGRAM



INSTALLATION INSTRUCTIONS

WARNINGS

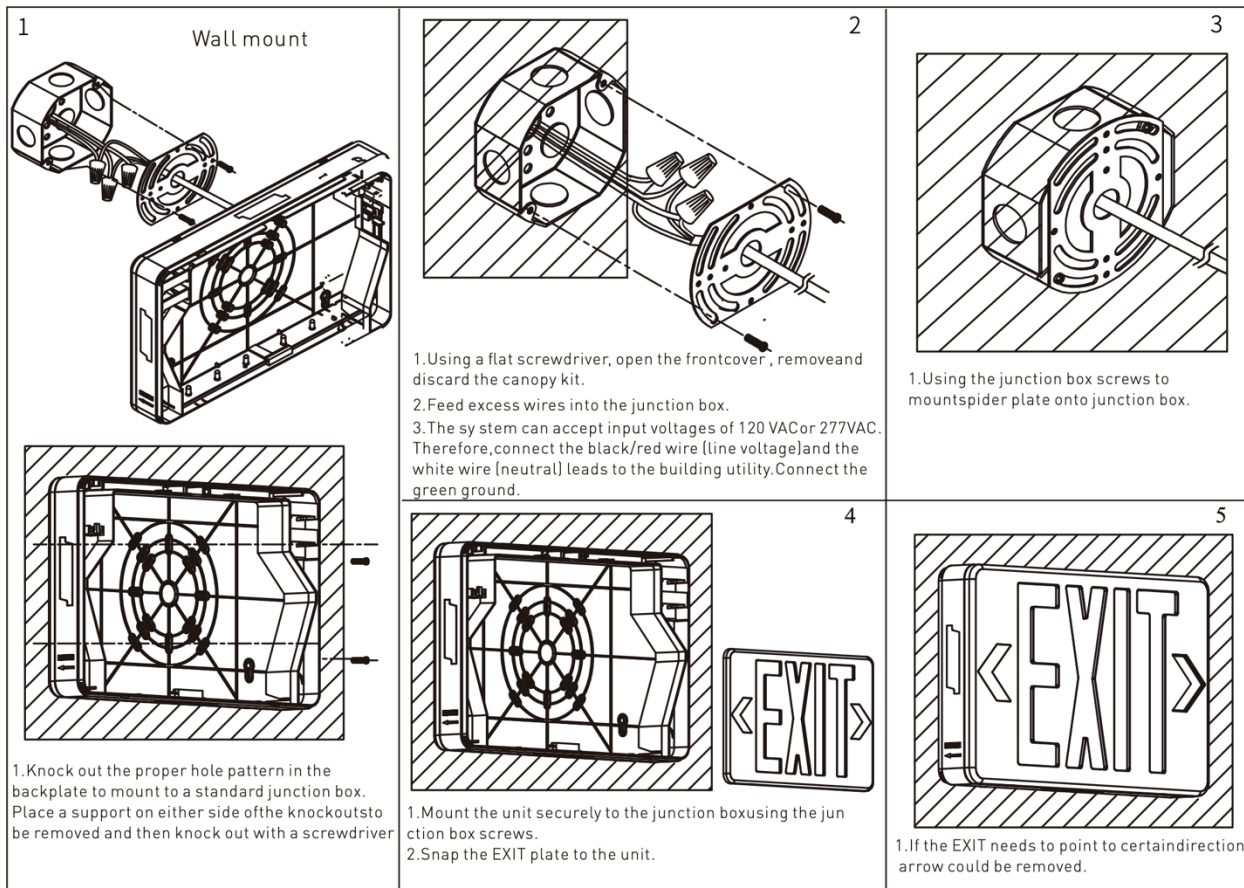
- Failure to follow these instructions and warnings may result in death, serious injury, or significant property damage. For your protection, read and follow these warnings and instructions carefully before installing or maintaining this equipment.
- Turn off electricity at the main fuse box (or circuit breaker box) before beginning installation by removing the fuse (or switching off the circuit breaker).
- Be careful not to damage or cut the wire insulation (covering) during fixture installation. Do not permit the power cord or housing to contact any surface having a sharp edge. To do so may damage or cut the wire insulation, which could cause serious injury or death from electric shock.
- This fixture requires 120 or 277VAC power input. The installer must confirm the input power at the source prior to installation.
- Unused wires must be capped using enclosed wire nuts.
- Risk of electric shock. Never connect to, disconnect from, or service while the equipment is energized.
- Risk of fire. LEDs get hot. Keep combustible material away from hot components.
- Risk of personal injury. This product may have sharp edges. Wear gloves to prevent cuts or abrasions when removing from carton, handling, installing, and maintaining this product.
- Do not use abrasive materials or solvents. Use of these substances may damage the fixture, which may result in personal injury.
- Disconnect AC power and unplug battery before servicing.
- Consult your local building code for approved wiring and installation.
- Do not use outdoors.
- Do not let the power supply cord touch hot surfaces.
- Do not mount near gas or electric heaters.
- Do not install a damaged fixture.
- Proper grounding is required to ensure personal safety (where applicable).
- Equipment should be mounted in locations and at heights where it will not be subject to tampering by unauthorized personnel.
- Do not use this equipment for anything other than its intended use.
- Battery in this unit may not be fully charged. After electricity is hooked up to the unit, let the battery charge up for at least 24 hours. Then normal operation of this unit should begin.

INSTALLATION INSTRUCTIONS, CONTINUED

BACK-TO-WALL MOUNT INSTALLATION INSTRUCTIONS

1. Open the faceplate using a flat head screwdriver.
2. Determine which mounting holes will be used to mount the fixture to the J-BOX and then punch out the proper K/Os from the K/O pattern on the back panel of the housing. Place a support on either side of the knockouts to be removed and then knock out with a screwdriver.
3. Connect the AC supply wires to the fixture input wires. Black is for 120V; Red is for 277V; White is for neutral.
4. Connect the RED and BLACK leads coming from the circuit board to the battery terminals. RED lead is connected to the positive terminal and Black lead to the negative terminal.

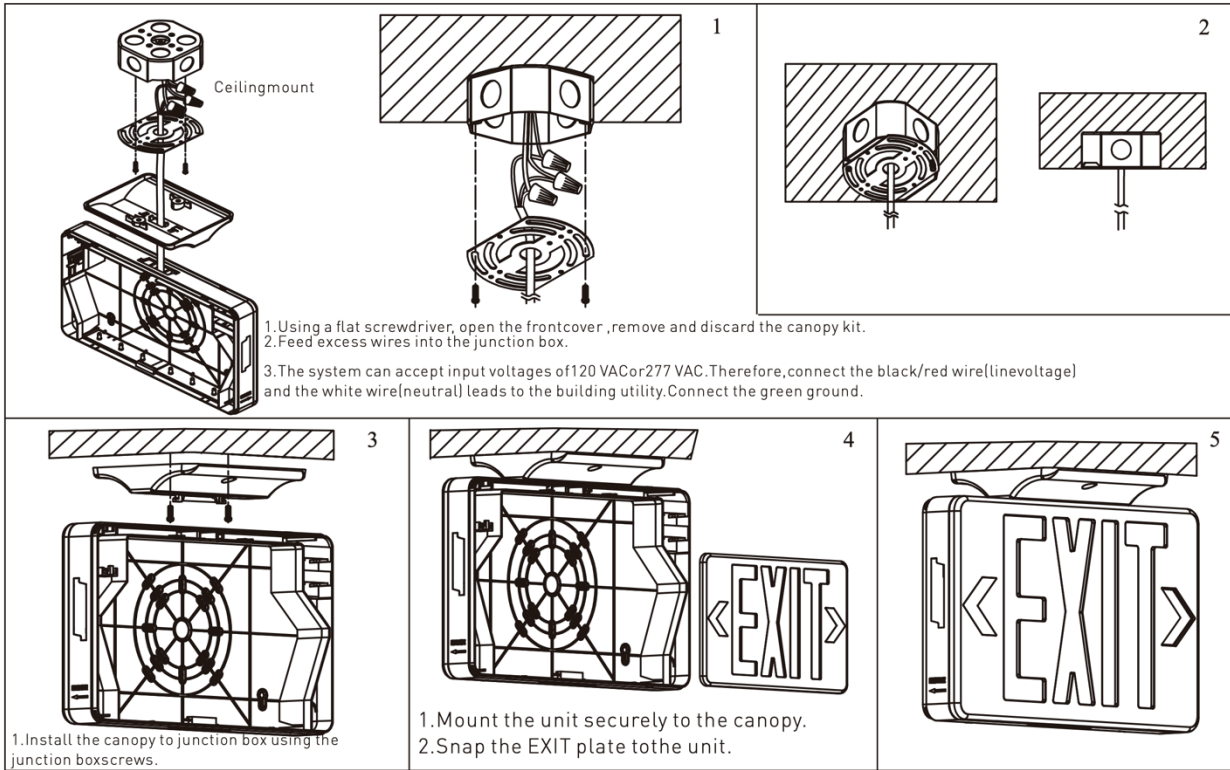
INSTALLATION DIAGRAM — BACK-TO-WALL MOUNT



RED WHITE EXIT SIGN

INSTALLATION INSTRUCTIONS, CONTINUED

INSTALLATION DIAGRAM — TOP-TO-CEILING MOUNT



INSTALLATION DIAGRAM — SIDE-TO-WALL MOUNT

