

Project Name:	Fixture Type:
Complete Catalog #:	Date:
Comments:	

EXIT SIGN COMBO



The Exit Sign Combo combines the classic exit sign with a pair of flood lights, in a single fixture. The battery backup provides more than 90 minutes of emergency operation for safe building egress and code compliance. The 5W input wattage recharges the unit within 24 hours of battery backup use. The unit is designed for fast and easy wall mounting to a standard J-box.

FEATURES

- cETLus listed.
- Suitable for wall mount applications.
- Universal J-box mounting pattern.
- 120 & 277VAC dual voltage operation.
- 3.6V/800mAh lead-acid battery for 90+ minutes of emergency operation.
- Maximum 24 hours for full recharge time.
- Includes test switch and charge indicator light.

APPLICATIONS

- Offices
- Conference Rooms
- Retail
- Restaurants
- Hotels
- Healthcare
- Hallways
- Stairwells



EXIT SIGN COMBO

ORDERING INFORMATION

MODEL #	LETTER COLOR	INPUT POWER	DUAL VOLTAGE	RECHARGE TIME	EMERGENCY DURATION (MIN)	MIN. ORDER QUANTITY	US STOCK	DIMENSIONS (INCHES)
ECO-LS-ES007SR	Red	5W	120 / 277VAC	24 Hrs	>90 min	6	Y	16.9"x7.4"x1.8"
ECO-LS-ES007SG	Green	5W	120 / 277VAC	24 Hrs	>90 min	6	Y	16.9"x7.4"x1.8"

TECHNICAL SPECIFICATIONS

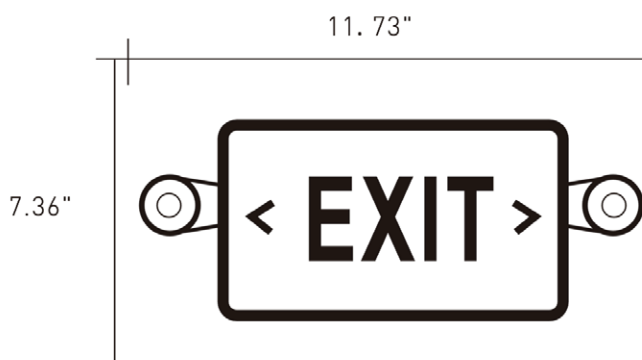
Input Wattage	5W
Input Current	.04A
Maximum Recharge Time	24 hours
Output Wattage	1W-2W
Lead-Acid Battery	3.6V / 800 mAh
Emergency Duration	90+ minutes
Input Voltage	Dual 120 / 277 VAC
Power Frequency	50-60 Hz
Warranty	10 year or 50,000 hour non-prorated

*Data is based upon tests performed in a controlled environment and representative performance. Actual performance can vary depending on operating conditions. Specifications are subject to change without notice. All specifications are nominal unless otherwise noted.

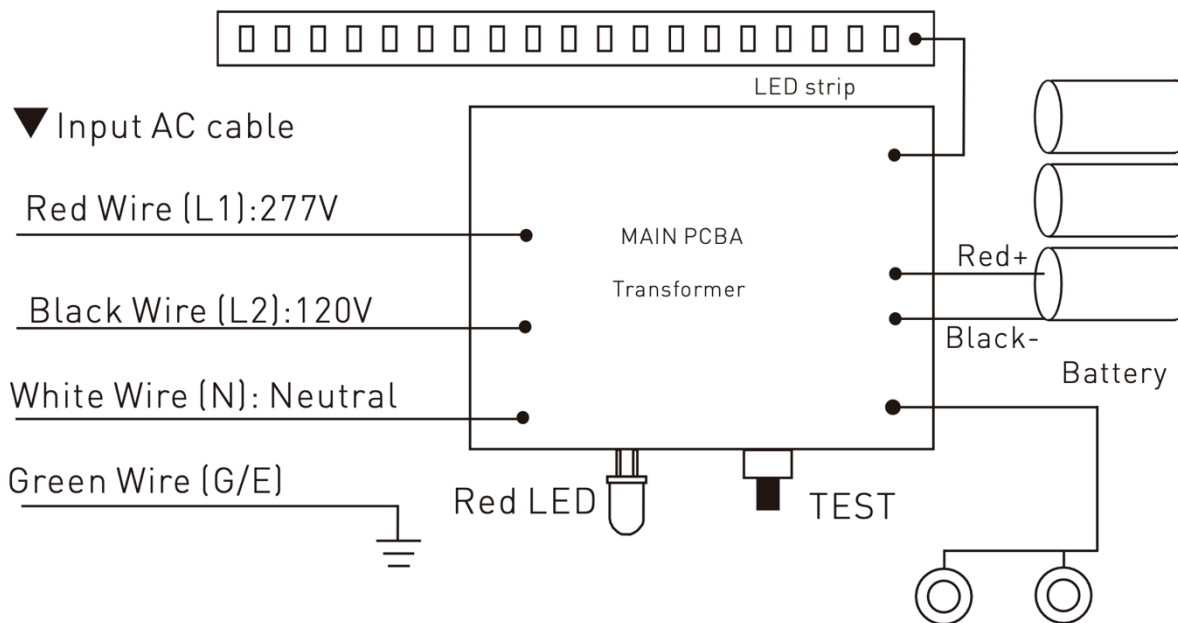
*IES files provided on request.

DIMENSIONS

Unit: inch



WIRING DIAGRAM



INSTALLATION INSTRUCTIONS

WARNINGS

- Before wiring to power supply, turn off electricity at fuse or circuit breaker.
- Unused wires must be capped using enclosed wire nuts.
- Disconnect AC power and unplug battery before servicing.
- Consult your local building code for approved wiring and installation.
- Do not use outdoors.
- Do not let power supply cord touch hot surfaces.
- Do not mount near gas or electric heater.
- Do not install a damaged fixture.
- This product must be installed in accordance with the applicable installation codes and ordinances.
- Proper grounding is required to ensure personal safety (where applicable).
- All service shall be performed by qualified personnel. This product must be installed and maintained in accordance with the applicable installation instructions codes by a person familiar with the construction and operation of the product and the hazards involved.
- Equipment should be mounted in locations and at heights where it will not be subjected to tampering by unauthorized personnel.
- The use of accessory equipment not recommended by the manufacturer may cause an unsafe condition.
- Do not use this equipment for anything other than its intended use.
- Be careful not to damage or cut the wire insulation (covering) during fixture installation. Do not permit the power cord or housing to contact any surface having a sharp edge. To do so may damage or cut the wire insulation, which could cause serious injury or death from electric shock.
- This fixture requires 120 or 277VAC power input. The installer must confirm the input power at the source prior to installation.
- When re-lamping use only lamps specified by the manufacturer. Using other lamp types may result in transformer damage or cause unsafe conditions.
- Battery in this unit may not be fully charged. After electricity is hooked up to the unit, let the battery charge for at least 24 hours. Then the unit should have normal operation.

INSTALLATION INSTRUCTIONS, CONTINUED

BACK MOUNT INSTALLATION INSTRUCTIONS

1. Open faceplate with a flathead screwdriver.
2. Determine which mounting holes will be used to mount the fixture to the J-BOX and then punch out the proper K/Os from the K/O pattern on the back panel of the housing.
3. There are two additional KEY HOLE slots located on the top of the unit. These holes must be used when the unit is mounted to the wall.
4. Connect AC supply wires to the fixture input wires. Black is for 120V; Red is for 277V; White is for neutral.

<p>Ceiling mount</p> <p>STEP 1 Remove the face cover by gently prying it open with a flat screwdriver.</p>	<p>STEP 2 Pass the wires through the lamp mounting holes of housing. Insert lamp heads into housing and twist them to lock firmly.</p>	<p>STEP 3 Connect the wires of lamp into PCB terminals as per drawing.</p>	<p>STEP 4 Install back the face cover.</p>
<p>Wall mount</p>	<p>1</p> <p>1. Using a flat screwdriver, remove the front cover. Remove and discard the canopy kit. 2. Feed excess wires into the junction box. 3. The system can accept input voltages of 120 VAC or 277 VAC. Therefore, connect the black wire (line voltage) and the white wire (common) leads to the building utility. Connect the green ground.</p>	<p>2</p> <p>1. Using the junction box screws to mount spider plate onto junction box.</p>	
<p>3</p> <p>1. Knock out the proper hole pattern in the back plate to mount to a standard junction box. Place a support on either side of the knockouts to be removed and then knock out with a screwdriver.</p>	<p>4</p> <p>1. Mount the unit securely to the junction box using the junction box screws. 2. Snap the EXIT plate to the unit.</p>	<p>5</p> <p>1. If the EXIT needs to point to certain direction, arrow could be removed.</p>	