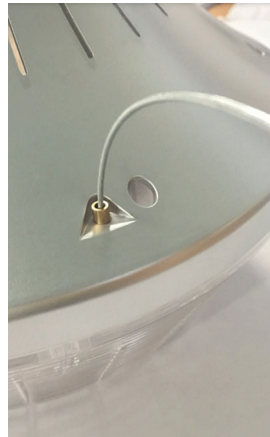


Project Name:	Fixture Type:
Complete Catalog #:	Date:
Comments:	

CONDOR HIGH BAY RETROFIT LAMPS



Condor High Bay Retrofit Lamps are ideal LED replacements for high bay applications, up to 750W metal halide. These lamps have excellent thermal management utilizing advanced active cooling fans. These lamps can be installed by simply bypassing the existing ballast and screwing the lamp into the existing socket. These lamps have a high efficacy of 140 LM/W which means that you can reduce the wattage by 70%, and still have greater total lumen output than an existing MH lamp. The lamps are dry location only, DLC v5.1 listed, and come with a 10 year or 50,000 hour non-prorated warranty.

FEATURES

- LED Type - Samsung 2835
- System Efficiency - 140 lm/W
- Luminous Flux - up to 33,600
- Input Voltage - 100-277 MV
- Rebate Eligible - Yes, DLC v5.1 / Contact for details
- Warranty - 10 Years or 50,000 Hours Non-Prorated

APPLICATIONS

- High Bay
- Commercial Down Lights



CONDOR HIGH BAY RETROFIT LAMPS

ORDERING INFORMATION

PART NUMBER	WATTAGE	LUMENS	HID EQUIVALENT	VOLTAGE	CCT	CCT	MIN ORDER QTY	US STOCK
ECO-HBRL-120W-EZ1	120W	16,800	250W	120-277VAC	Mogul EX39	3000K/4000K/5000K	12	NO
ECO-HBRL-150W-EZ1	150W	21,000	400W	120-277VAC	Mogul EX39	3000K/4000K/5000K	12	YES
ECO-HBRL-200W-EZ1	200W	28,000	600W	120-277VAC	Mogul EX39	3000K/4000K/5000K	12	YES
ECO-HBRL-240W-EZ1	240W	33,600	750W	120-277VAC	Mogul EX39	3000K/4000K/5000K	12	YES

TECHNICAL SPECIFICATIONS

CRI	>80
Efficacy	Up to 140 Lm/W
Beam Angle	120°
Environment	Dry Location Only
Power Frequency	50-60 Hz
Power Efficiency	>90%
Power Factor	>0.98
Certifications	UL, cUL, DLC
Rated Life (L70)	>50,000 Hours
Warranty	10 Years, 50,000 Hours Non-Prorated
Operating Temperature	-40° - 113°F
Gross Weight	9.3 lbs (all wattages)
Base Types	Mogul EX39
Input Surge Protection	4 kV
Dimmable	No

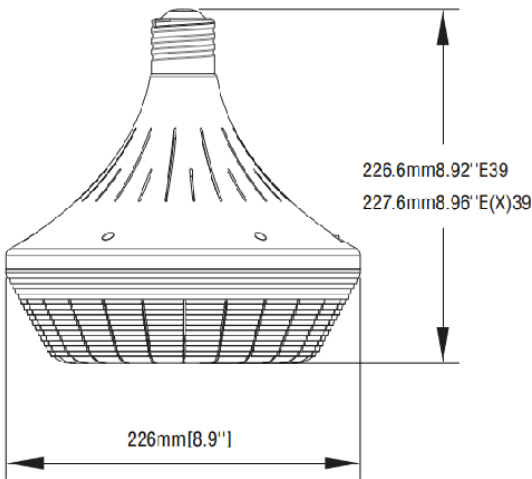
*Data is based upon tests performed in a controlled environment and representative performance. Actual performance can vary depending on operating conditions. Specifications are subject to change without notice. All specifications are nominal unless otherwise noted.

*IES files provided on request.

CONDOR HIGH BAY RETROFIT LAMPS

DIMENSIONS

120W, 150W, 200W, and 240W:



PHOTOMETRICS

120W:

