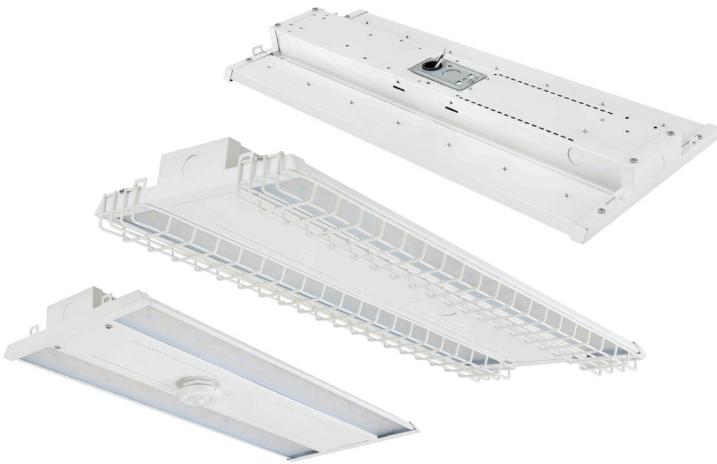


Project Name:	Fixture Type:
Complete Catalog #:	Date:
Comments:	

METEOR III LINEAR HIGH BAY



The **Meteor III Linear High Bay** has been designed for warehouse, manufacturing, retail, and gymnasium applications, with ceiling heights between 20-60 feet. These high performance linear fixtures are both wattage- and CCT-switchable, dramatically reducing SKU counts and inventory costs. The fixture can be switched between 4 wattages and 2 CCTs, and provides up to 154 Lumens/W efficiency, with an IP66 rating. These fixtures can be boom mounted, surface mounted, & daisy-chained end-to-end, providing simple and flexible installation options. The Meteor III can be controlled with Zigbee, Dali, and Daintree remote controllers or DMX512 System. Daylight sensor dimming control, occupancy sensor, and 1-10V dimming. The Meteor III also has a high quality aluminum housing, gasketed polycarbonate lens optics, and premium driver. These fixtures have been built to last for a lifetime and are warranted to last more than 10 years or 50,000 hours.

FEATURES

- 4 wattage-switchable and 2 CCT-switchable, replacing up to 8 SKUs
- System Efficiency: up to 154 lm/W
- Up to 30,000 lumens
- Input voltage: 120-277 VAC
- Rebate Eligible - Yes, DLC Listed / Contact for details
- Warranty - 10 Years or 50,000 Hours Non-Prorated
- IP66 Rated

APPLICATIONS

- Warehouse
- Manufacturing
- Retail
- Gymnasiums



ORDERING INFORMATION

PART NUMBER	SYSTEM WATTS -SWITCHABLE	LUMENS -SWITCHABLE	VOLTAGE	CCT - SWITCHABLE	LPW	MIN ORDER QTY	US STOCK
ECO-SEM-MLH06-210W27VDDK-LHB	210W / 180W / 130W / 90W	30,000 / 25,000 / 20,000 / 13,600	120-277 VAC	4000K / 5000K	Up to 154 lpW	1	Yes

TECHNICAL SPECIFICATIONS

System Efficacy	Up to 154 lm/W
Luminous Flux	up to 30,000 lumens - switchable
CCTs	4000K / 5000K switchable
CRI	70+
Input Voltage	120-277 VAC
Power Efficiency	>95%
Power Frequency	50-60 Hz
Power Factor	>0.95
Certifications	UL , FCC, DLC,
Environment	IP66 rated, damp location listed
Lifetime (L70)	>50,000 hours
Warranty	10 years or 50,000 hours non-prorated
Surge Protection	Optional
Operating Temperature	-40° to 122° F
Mounting Options	Steel wire rope, conduit pendant, surface mounting
Dimmable	1-10V
Housing Material	Die-cast aluminum alloy with powder-coat finish
Options	3 optic lenses, wire guard, emergency battery, pendant hanger, bi-level sensor, and surge protection
Net Luminaire Weight	5.98 lbs (210W switchable model)

*Data is based upon tests performed in a controlled environment and representative performance. Actual performance can vary depending on operating conditions. Specifications are subject to change without notice. All specifications are nominal unless otherwise noted.

*IES files provided on request.

MOUNTING OPTIONS

Power and CCT controller (Default)
The wattage and CCT can be changed by switch selection on the controller, it easy and very fast to meet the varied requirements.

Emergency Battery (Optional)
15W 2000lm output, work during power outages, for emergency lighting.

Housing
Advanced thermal management aluminum alloy with white coat finish. Available for pendant mount or sling mount.

Diffuser Panel
3 types of diffusers are available:
Semi-frosted diffuser for max lumens;
Prismatic diffuser for least glare light;
Frosted diffuser for best light uniformity.

Threaded Conduit
Support wires coming from the hole for easier wire connections.

Bi-level PIR Sensor (Optional)
Pluggable design, easy for customers to install.

ACCESSORIES

<p>Wire Guard (Optional)</p>	<p>Emergency Battery (Optional)</p>
<p>Pendant Hanger (Optional)</p>	<p>Bi-level PIR Sensor (Optional)</p>

METEOR III LINEAR HIGH BAY

DIFFUSER OPTIONS



Semi-frosted Diffuser (High efficacy)



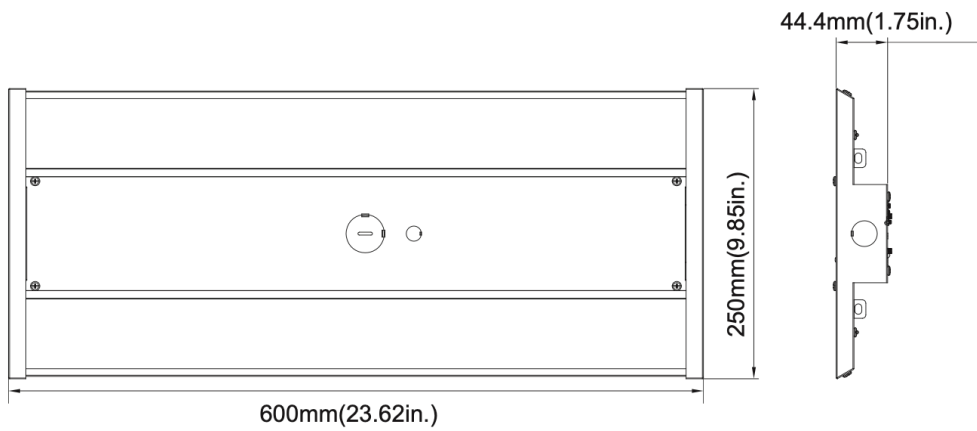
Prismatic Diffuser (Low glare)



Frosted Diffuser (Soft light)

DIMENSIONS

unit: inch/mm Net Weight: 210W: 5.957 lbs



PHOTOMETRICS

General

