

Project Name:	Fixture Type:
Complete Catalog #:	Date:
Comments:	

SPECTRUM ONE LINEAR WALL WASHER.



The Spectrum One Linear Wall Washer. is an advanced RGBW wall washer, offered in 2' or 4' lengths. It is also offered in six beam angles to fit any architectural application. This wall washer contains integral DMX control, as well as built-in control buttons. This enables a variety of color changing modes and DMX addresses. The housing is a robust extruded and anodized aluminum, includes mounting brackets for easy installation. These wall washers are IP66 rated for both indoor and outdoor use.

FEATURES

- cETLus Listed
- RGBW color changing and tunable white
- Extruded and anodized aluminum housing
- Tempered glass diffuser
- Up to 4,000 lumens (40W)
- Integrated DMX 512
- 100-277VAC
- Side or bottom bracket mounting
- IP66 rated for indoor or outdoor use

APPLICATIONS

- Exterior facades
- Interior wall grazing
- Other architectural wall wash applications



SPECTRUM ONE LINEAR WALL WASHER.

ORDERING INFORMATION

MODEL #	LENGTH	POWER	INPUT VOLTAGE	RGBW ENABLES	LUMENS	MINIMUM ORDER QTY	US STOCK
ECO-SPEC1-23W-RGBW	2'	23W	100-277VAC	RGB 2700K 3000K 4000K 5700K	Up to 2,300	2	Yes
ECO-SPEC1-45W-RGBW	4'	45W	100-277VAC	RGB 2700K 3000K 4000K 5700K	Up to 4,500	2	Yes

TECHNICAL SPECIFICATIONS

Input Voltage	100-277VAC
Input Power Frequency	50-60 Hz
Wattage	2': 23W 4': 45W
Efficacy	100 lm/W
Lumens	2': Up to 2,300 4': Up to 4,500
RGBW Colors	RGB/2700K/3000K/4000K/5700K
IP Rating	IP66
Beam Angles	15° /20° /30° /45° /55° /20x40°
Controls	Integrated DMX 512, and DMX Control Buttons
Operating Temperature	-4°F to 113°F
Certifications	cETLus listed, FCC
Construction	Extruded, anodized, aluminum housing, with tempered glass diffuser
Mounting Options	Side or bottom bracket mounting
Warranty	10 years or 50,000 hour non-prorated

*Data is based upon tests performed in a controlled environment and representative performance. Actual performance can vary depending on operating conditions. Specifications are subject to change without notice. All specifications are nominal unless otherwise noted.

*IES files provided on request.

CONTROLS

Control Options: Integrated DMX 512, and DMX Control Buttons.

Control Modes:

1. Independent Mode: Choose the built-in programs via the buttons on the end cover.
2. DMX Mode: International standard DMX512.
3. Master/Slave Mode: Auto online and synchronous.
4. The white LEDs can mix with the RGB at the same time.

Function & Setup



X refer to functions(the value between 1 to n)

Y refer to value of speed and gray degree for the functions (the value between 1 to 9).

Function and parameter sheet:

X value	Y value
1-static red	1~9 class gray degree
2-static green	1~9 class gray degree
3-static yellow	1~9 class gray degree
4-static blue	1~9 class gray degree
5-static purple	1~9 class gray degree
6-static cyan	1~9 class gray degree
7-staic R+G+B	1~9 class gray degree
8-staic white	1~9 class gray degree
9-white+red	1~9 class gray degree
A-white+green	1~9 class gray degree
B-white+red+green	1~9 class gray degree

X value	Y value
C-white+blue	1~9 class gray degree
D-white+blue+red	1~9 class gray degree
E-white+blue+green	1~9 class gray degree
F-white+red+green+blue	1~9 class gray degree
G-multicolor changing	1~9 class speed
H-single fading	1~9 class speed
L-multicolor fading	1~9 class speed
P-multicolor flashing	1~9 class speed
h-multicolor flow	1~9 class speed
U-rainbow fade	1~9 class speed
n-autorun	1~9 times circle

Master/Slave Mode

Choose any one light as the master for attaining auto online function,the operations are as below: firstly, set the address of master as 001, others are set as slave (address can be any one except 001); Change function pf the master(001) light, then all lights will work synchronously.

When pressing button, please wait for about 10 sec., then you can exit the mode of adjustment function, the digital LED stop flashing and data recorded.

OMX Addressing

When the digital LED is not flashing, press A, digital LED begin to flash, press A once, active digital LEDs moves backward, you can start to edit the second digital LED; Press B, the corresponding flash digital LED increase one bit (the values between 1 to 9):

••• Valid OMX Address: 001-512



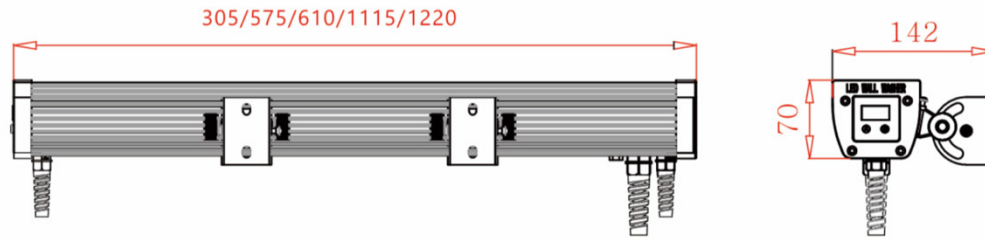
Independent Mode

After pressing A four times (the first three times is the setup on OMX address) or B directly, light enter into independent mode; the digital LEDs shows PXY, press A once, active digital LEDs moves backward, you can choose function via X and parameter via Y; Press B, the corresponding flash digital LED increase one bit (range: 1-9);

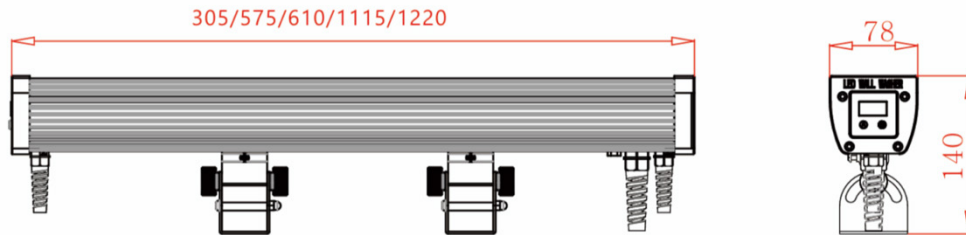
SPECTRUM ONE LINEAR WALL WASHER.

DIMENSIONS

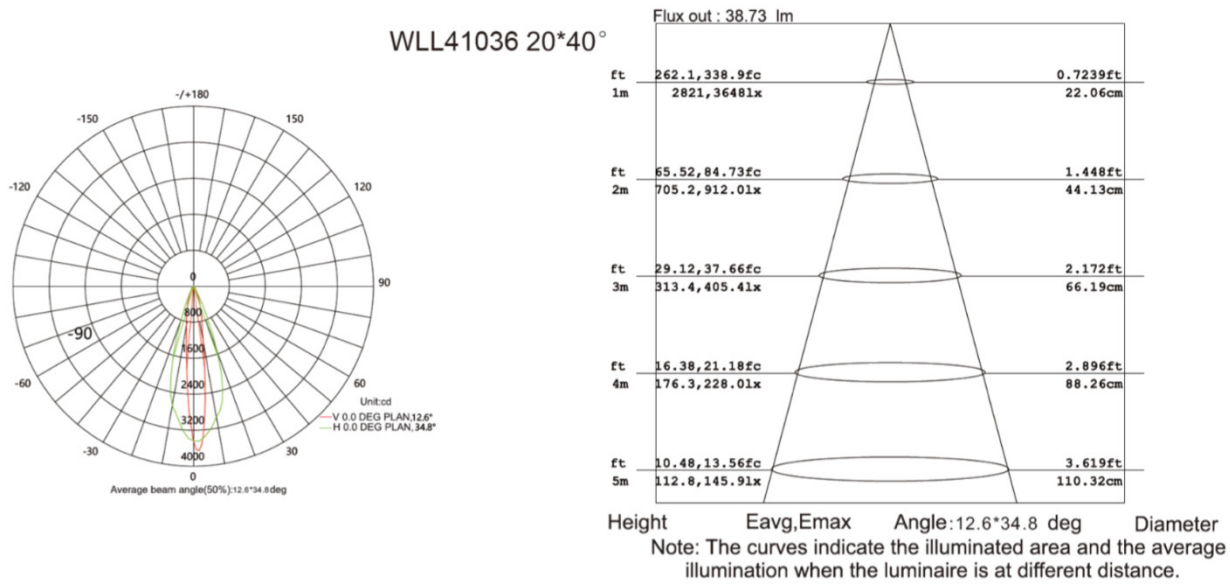
Side Mounting



Bottom Mounting



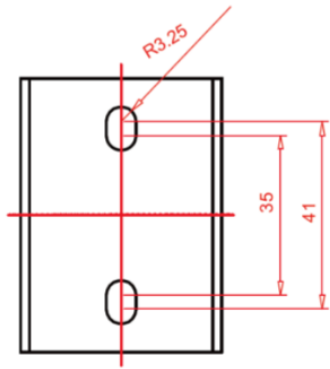
PHOTOMETRICS



SPECTRUM ONE LINEAR WALL WASHER.

INSTALLATION INSTRUCTIONS

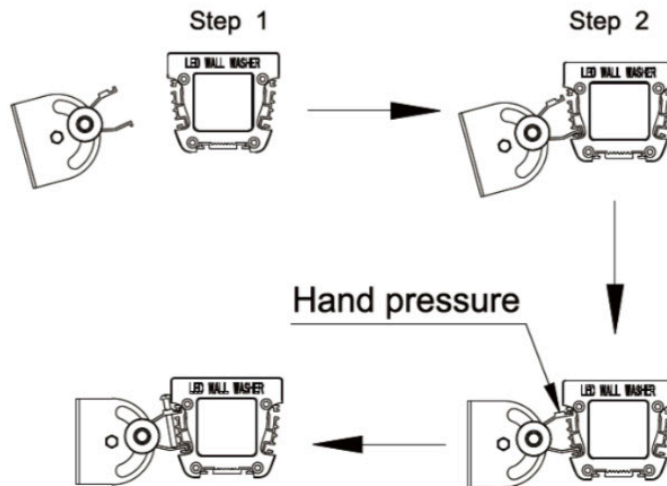
Fix the brackets via M5 tapping screw, mounting size as below:



Bottom & Side Mounting

- Step 1: First, locate the mounting bracket of the lamp body.
- Step 2: One side of the bracket is firstly inserted into the lamp body groove.
- Step 3: Press the other side of the bracket hard so that it is also inserted into the groove of the lamp body.
- Step 4: Screw tightly with the bracket.

Side Mounting



Bottom Mounting

