

Project Name:	Fixture Type:
Complete Catalog #:	Date:
Comments:	

QUASAR II SELECTABLE FLOOD LIGHT



The **Quasar II Selectable Flood Light** delivers an economical, efficient, flexible and long-life floodlight. The low-profile, sleek design is well suited to many architectural applications. Quasar II is available in three housing sizes and six wattage- and CCT-selectable models. Each wattage model (15W-120W) can replace up to 12 conventional models, reducing inventory carrying costs for distributors and contractors. Quasar II can also achieve up to 161lm/W efficiency. Reliable IP65 structural design is ideal for general flood lighting of courtyards, driveways, buildings, billboards, and more.

FEATURES

- Die-cast aluminum housing for excellent thermal management
- Durable powder coat finish
- NEMA 7Hx7V light distribution
- Up to 19,000 lumens and 120W
- Each model is 4 wattage and 3 CCT selectable
- Heat and impact resistant glass
- 120-277VAC
- 1-10V dimming
- Photocell option
- Knuckle, Slipfitter, Trunnion, and Yoke mounting options
- cULus, wet location, and DLC listed

APPLICATIONS

- Courtyards
- Driveways
- Buildings
- Billboards & Signage
- Landscape



QUASAR II SELECTABLE FLOOD LIGHT

ORDERING INFORMATION

PART NUMBER	WATTS	VOLTAGE	LUMENS (@5000K)	CCT	DIMMABLE	MIN ORDER QTY	US STOCK
ECO-SEM-MFD11-15W27VDDK-FD	16W/13W/10W/6W	120-277 VAC	2300/1800/1500/900	3000K/4000K/5000K	1-10V	2	Yes
ECO-SEM-MFD11-27W27VDDK-FD	27W/20W/16W/11W	120-277 VAC	3700/2900/2200/1700	3000K/4000K/5000K	1-10V	2	Yes
ECO-SEM-MFD11-40W27VDDK-FD	40W/30W/22W/14W	120-277 VAC	5800/4500/3400/2300	3000K/4000K/5000K	1-10V	2	Yes
ECO-SEM-MFD11-65W27VDDK-FD	66W/54W/41W/28W	120-277 VAC	9400/7800/5900/4000	3000K/4000K/5000K	1-10V	2	Yes
ECO-SEM-MFD11-90W27VDDK-FD	94W/68W/51W/33W	120-277 VAC	14000/10500/8100/5500	3000K/4000K/5000K	1-10V	2	Yes
ECO-SEM-MFD11-120W27VDDK-FD	123W/99W/71W/53W	120-277 VAC	18100/15100/11200/8600	3000K/4000K/5000K	1-10V	2	Yes

TECHNICAL SPECIFICATIONS

System Efficacy	up to 161 lm/W
Luminous Flux	up to 19,000 lumens, field-switchable
CCTs	3000K/4000K/5000K, field-switchable
CRI	70+
Input Voltage	120-277 VAC
Power Frequency	50-60 Hz
Power Factor	>90%
THD	<20%
Certifications	cULus, DLC , FCC
Environment	Wet listed
Lifetime (L70)	50,000 hours
Warranty	10 years or 50,000 hours non-prorated
Operating Temperature	-40°F - 104°F
Housing Color	Dark Bronze, Black, White
Dimmable	1–10V
Optional Accessories	Photocell, Knuckle, Trunion, Slipfitter, & Yoke Mounts

*Data is based upon tests performed in a controlled environment and representative performance. Actual performance can vary depending on operating conditions. Specifications are subject to change without notice. All specifications are nominal unless otherwise noted.

*IES files provided on request.

QUASAR II SELECTABLE FLOOD LIGHT

MOUNTING OPTIONS

1/2" Knuckle Mount
(15W/27W/40W/65W)



Trunnion Mount
(15W/27W/40W/65W)



Slipfitter Mount
(90W/120W)



Yoke Mount
(90W/120W)



CONTROLS

Control Options: 1-10V, Power- & CCT-Selectable. Optional photocell.



Power and CCT Controller

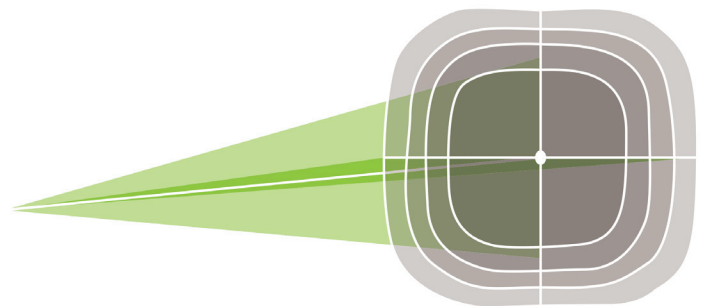


Photocell (Option)

Optional photocell allows for security and energy saving

PHOTOMETRICS

NEMA Type: 7Hx7V

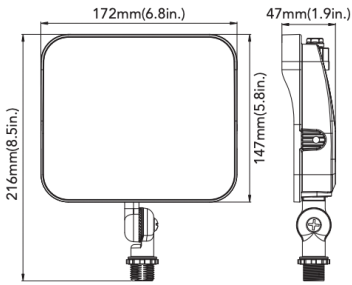


QUASAR II SELECTABLE FLOOD LIGHT

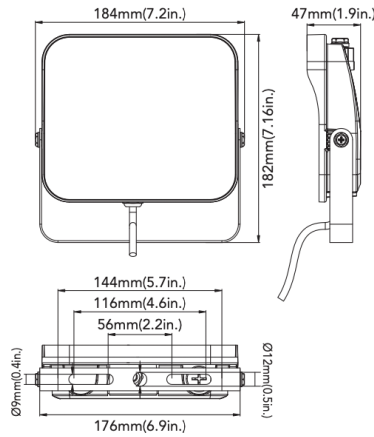
DIMENSIONS

unit: mm/inch

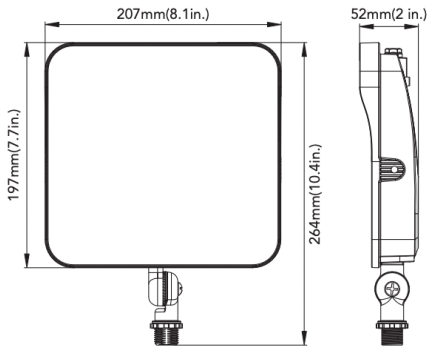
15W&27W(Knuckle Mount)



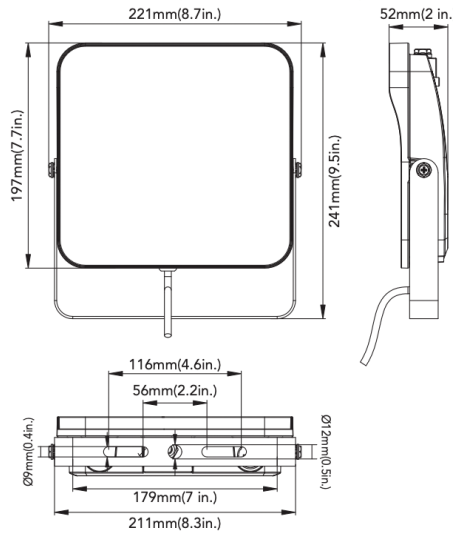
15W&27W(Trunnion Mount)



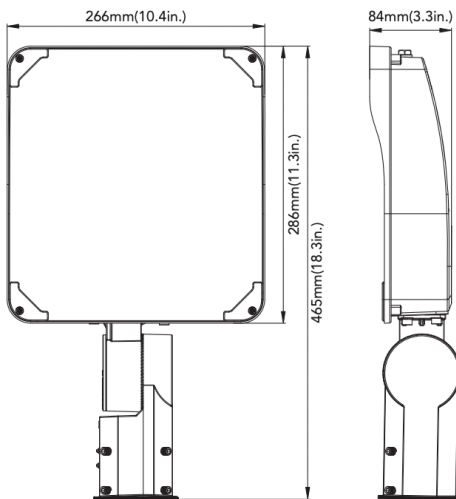
40W&65W(Knuckle Mount)



40W&65W(Trunnion Mount)



90W&120W(Slipfitter Mount)



90W&120W(Yoke Mount)

