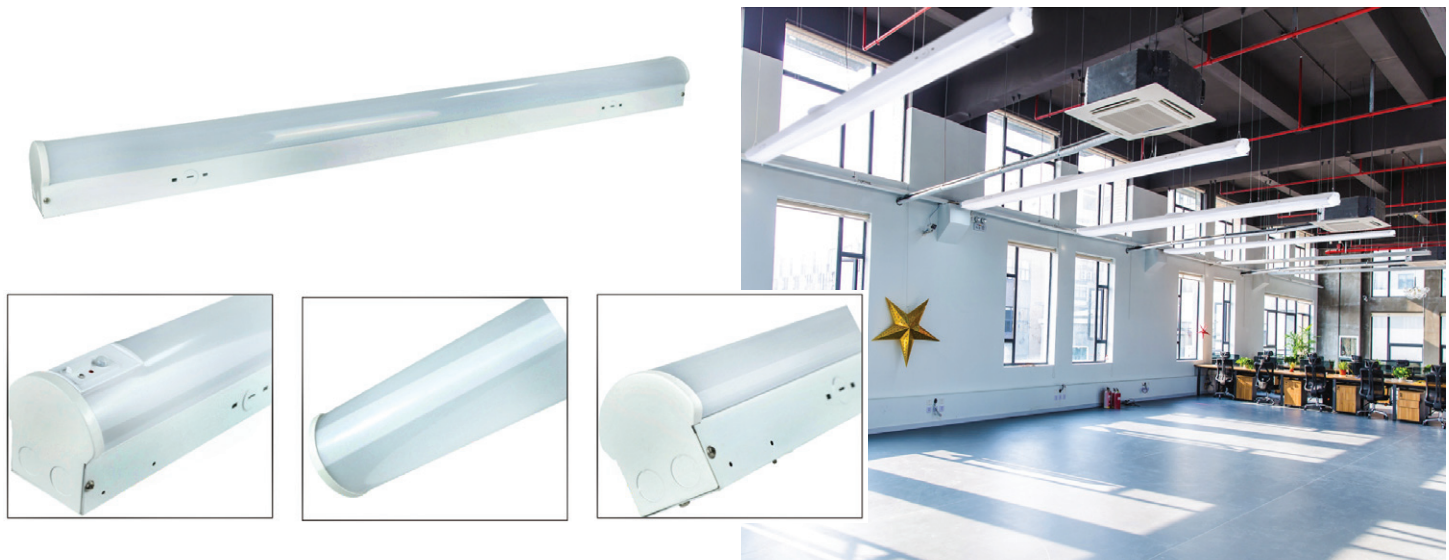


|                     |               |
|---------------------|---------------|
| Project Name:       | Fixture Type: |
| Complete Catalog #: | Date:         |
| Comments:           |               |

## SELECTABLE LINEAR STRIP FIXTURE



**The Selectable Linear Strip Fixture** is a professional-grade luminaire for warehouses, offices, garages, retail, and other commercial applications. They are 3-power- and 3-CCT-selectable, to reduce inventory carrying costs for distributors and contractors. Each luminaire can replace nine fixed-wattage, fixed-CCT luminaires. These linear strip fixtures are cULus damp location listed and DLC Premium listed. They can be controlled by a motion sensor, photo sensor, BlueTooth APP, and they are 0-10V dimmable.

### FEATURES

- cULus Damp Location Listed
- DLC Premium Listed
- AC 100-277V
- 130 lm/W
- Power- and CCT-selectable
- 10 year or 50,000 hours non-prorated warranty
- Anti-glare design
- Bluetooth APP wireless control ready
- PIR motion sensor and photosensor controllable
- 0-10V dimmable
- Emergency Battery option available

### APPLICATIONS

- Warehouses
- Offices
- Garages
- Retail
- Other commercial buildings



# SELECTABLE LINEAR STRIP FIXTURE

## ORDERING INFORMATION

| MODEL NO.                              | POWER | LUMEN (LM) | VOLTAGE    | CRI | CCT               | MIN. ORDER | US STOCK | SIZE (INCH)   |
|--|-------|------------|------------|-----|-------------------|------------|----------|---------------|
| ECO-ZY-ST4FT40-24W/36W/40W-(30/40/50K) | 24W   | 3,120      | 100-277VAC | 80+ | 3000K/4000K/5000K | 6          | Y        | 48"x3.6"x3.4" |
|  | 36W   | 4,680      |            |     |                   |            |          |               |
|  | 40W   | 5,200      |            |     |                   |            |          |               |
| ECO-ZY-ST8FT60-36W/48W/60W-(30/40/50K) | 36W   | 4,680      | 100-277VAC | 80+ | 3000K/4000K/5000K | 6          | Y        | 96"x3.6"x3.4" |
|  | 48W   | 6,240      |            |     |                   |            |          |               |
|  | 60W   | 7,800      |            |     |                   |            |          |               |

## TECHNICAL SPECIFICATIONS

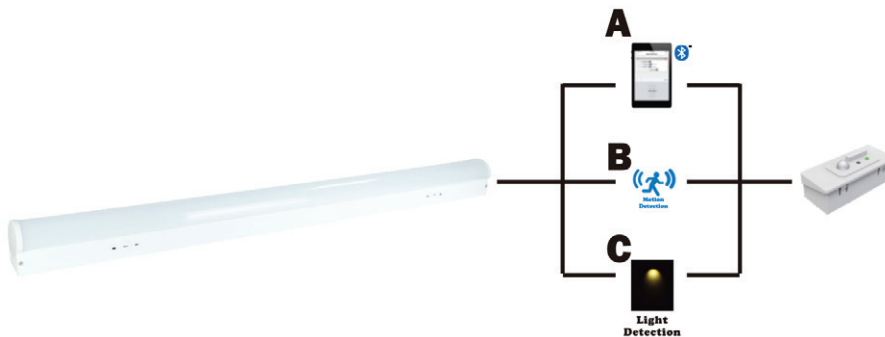
|                  |   |
|------------------|---|
| CRI              | 80+   |
| Efficacy         | 130 Lm/W  |
| Input Voltage    | 100-277 VAC   |
| Power Frequency  | 50-60 Hz  |
| Certifications   | cULus Damp Location Listed<br>DLC Premium Listed                      |
| Rated Life (L70) | 50,000 hours  |
| Warranty         | 10 Years or 50,000 hour non-prorated warranty                         |
| Controls         | 0-10V Dimmable, PIR Motion Sensor, Photosensor, Bluetooth APP Control |

\*Data is based upon tests performed in a controlled environment and representative performance. Actual performance can vary depending on operating conditions. Specifications are subject to change without notice. All specifications are nominal unless otherwise noted.

\*IES files provided on request.

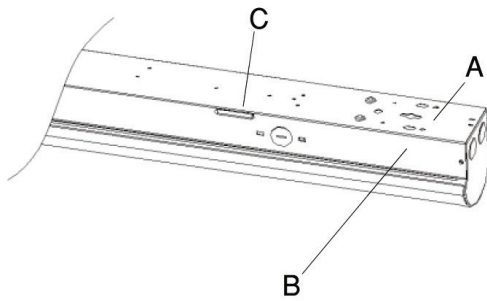
## CONTROLS

Control Options: 0-10V Dimmable, PIR Motion Sensor, Photosensor, Bluetooth APP Control



# SELECTABLE LINEAR STRIP FIXTURE

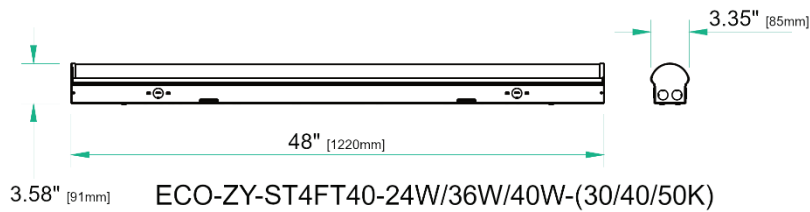
## MOUNTING OPTIONS



- A. Chain and V hook mounting.
- B. Surface mounting.
- C. mounting plate installation.

## DIMENSIONS

Unit: Inch [mm]



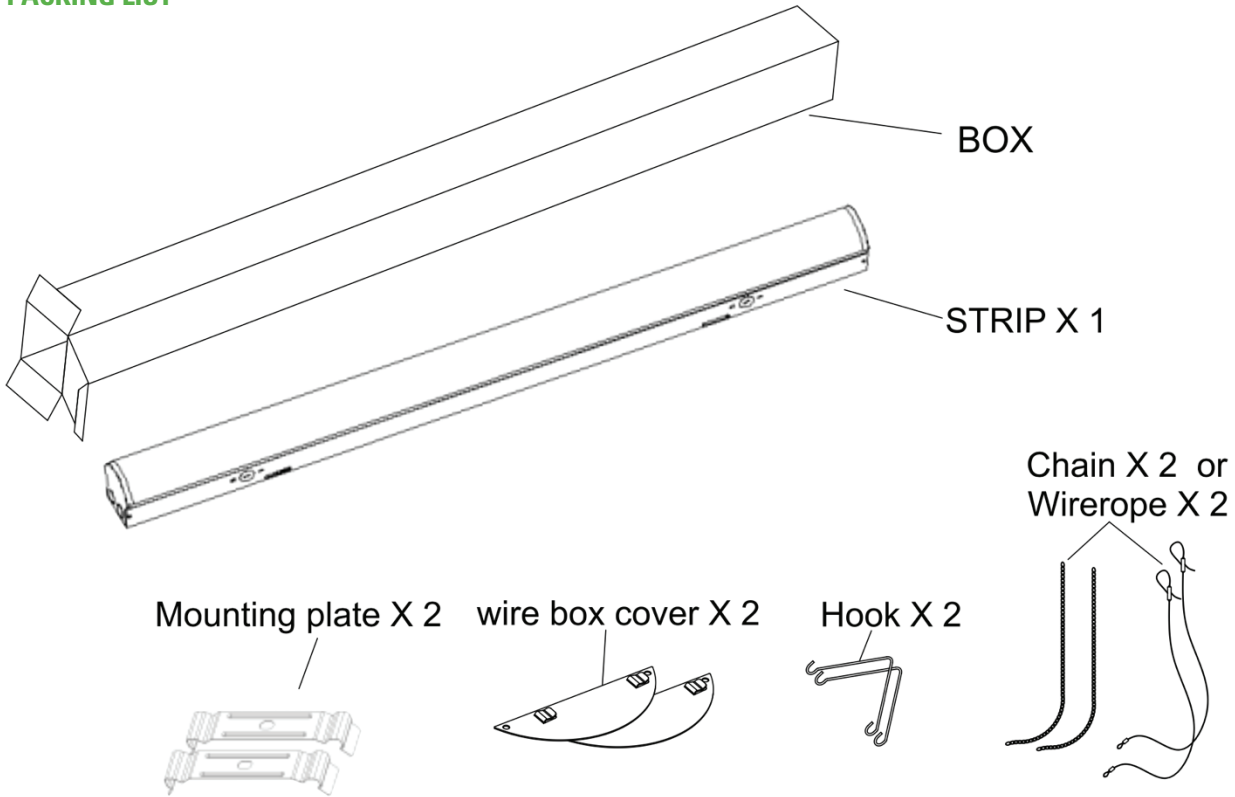
ECO-ZY-ST4FT40-24W/36W/40W-(30/40/50K)



ECO-ZY-ST8FT60-36W/48W/60W-(30/40/50K)

# SELECTABLE LINEAR STRIP FIXTURE

## PACKING LIST



## WIRING DIAGRAM

